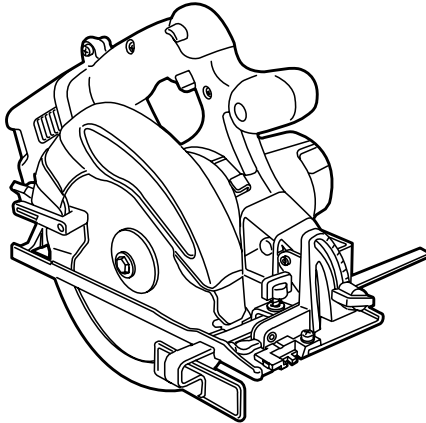


HITACHI

MODEL
MODELE
MODELO

C 6DC2

CORDLESS CIRCULAR SAW
SCIE CIRCULAIRE À BATTERIE
SIERRA CIRCULAR A BATERÍA



SAFETY INSTRUCTIONS AND INSTRUCTION MANUAL

⚠ WARNING

IMPROPER OR UNSAFE use of this power tool can result in death or serious bodily injury!

This manual contains important information about product safety. Please read and understand this manual **BEFORE** operating the power tool. Please keep this manual available for other users and owners before they use the power tool. This manual should be stored in safe place.

INSTRUCTIONS DE SECURITE ET MODE D'EMPLOI

⚠ AVERTISSEMENT

Une utilisation **INCORRECTE OU DANGEREUSE** de cet outil motorisé peut entraîner la mort ou de sérieuses blessures corporelles!

Ce mode d'emploi contient d'importantes informations à propos de la sécurité de ce produit. Prière de lire et de comprendre ce mode d'emploi **AVANT** d'utiliser l'outil motorisé. Garder ce mode d'emploi à la disponibilité des autres utilisateurs et propriétaires avant qu'ils utilisent l'outil motorisé. Ce mode d'emploi doit être conservé dans un endroit sûr.

INSTRUCCIONES DE SEGURIDAD Y MANUAL DE INSTRUCCIONES

⚠ ADVERTENCIA

¡La utilización **INAPROPIADA O PELIGROSA** de esta herramienta eléctrica puede resultar en lesiones de gravedad o la muerte!

Este manual contiene información importante sobre la seguridad del producto. Lea y comprenda este manual **ANTES** de utilizar la herramienta eléctrica. Guarde este manual para que puedan leerlo otras personas antes de utilizar la herramienta eléctrica. Este manual debe ser guardado en un lugar seguro.

CONTENTS

| English | Page | Page | |
|--|------|--|----|
| IMPORTANT SAFETY INFORMATION | 3 | ASSEMBLY AND OPERATION | 14 |
| MEANINGS OF SIGNAL WORDS | 3 | APPLICATIONS | 14 |
| SAFETY | 4 | REMOVAL AND INSTALLATION METHOD OF BATTERY | 14 |
| GENERAL SAFETY RULES – FOR ALL BATTERY OPERATED TOOLS | 4 | CHARGING METHOD | 14 |
| SPECIFIC SAFETY RULES | 6 | BEFORE USE | 17 |
| IMPORTANT SAFETY INSTRUCTIONS FOR USE OF THE CORDLESS CIRCULAR SAW | 9 | ADJUSTING THE SAW PRIOR TO USE | 18 |
| IMPORTANT SAFETY INSTRUCTIONS FOR BATTERY CHARGER | 9 | OPERATION | 20 |
| IMPORTANT SAFETY INSTRUCTIONS FOR USE OF THE BATTERY AND BATTERY CHARGER | 11 | MOUNTING AND DISMOUNTING THE SAW BLADE | 22 |
| FUNCTIONAL DESCRIPTION | 12 | REPLACING LIGHT BULB | 24 |
| MODEL | 12 | MAINTENANCE AND INSPECTION | 25 |
| NAME OF PARTS | 12 | | |
| SPECIFICATIONS | 13 | | |

TABLE DES MATIERES

| Français | Page | Page | |
|--|------|---|----|
| INFORMATIONS IMPORTANTES DE SÉCURITÉ ... | 29 | ASSEMBLAGE ET FONCTIONNEMENT | 42 |
| SIGNIFICATION DES MOTS D'AVERTISSEMENT ... | 29 | UTILISATIONS | 42 |
| SECURITE | 30 | MÉTHODE DE RETRAIT ET D'INSTALLATION DE LA BATTERIE | 42 |
| REGLES GENERALE DE SECURITE – POUR TOUS LES OUTILS FONCTIONNANT SUR BATTERIE | 30 | MÉTHODE DE RECHARGE | 42 |
| REGLES DE SECURITE SPECIFIQUES | 32 | AVANT L'UTILISATION | 45 |
| CONSIGNES DE SÉCURITÉ IMPORTANTES POUR L'UTILISATION DU SCIE CIRCULAIRE À BATTERIE ... | 36 | RÉGLAGE DE LA SCIE AVANT L'UTILISATION ... | 46 |
| CONSIGNES DE SÉCURITÉ IMPORTANTES POUR LE CHARGEUR DE BATTERIE | 37 | UTILISATION | 48 |
| CONSIGNES DE SÉCURITÉ IMPORTANTES POUR L'UTILISATION DE LA BATTERIE ET DU CHARGEUR DE BATTERIE | 38 | MONTAGE ET DÉMONTAGE DE LA LAME DE SCIE | 51 |
| DESCRIPTION FONCTIONNELLE | 40 | REPLACEMENT DES AMPOULES DE LAMPE ... | 52 |
| MODELE | 40 | ENTRETIEN ET INSPECTION | 53 |
| NOM DES PARTIES | 40 | | |
| SPECIFICATIONS | 41 | | |

ÍNDICE

| Español | Página | Página | |
|---|--------|--|----|
| INFORMACIÓN IMPORTANTE SOBRE SEGURIDAD | 57 | MONTAJE Y OPERACIÓN | 69 |
| SIGNIFICADO DE LAS PALABRAS DE SEÑALIZACIÓN ... | 57 | APLICACIONES | 69 |
| SEGURIDAD | 58 | MÉTODO DE EXTRACCIÓN E INSTALACIÓN DE LA BATERÍA | 69 |
| NORMAS GENERALES DE SEGURIDAD – PARA TODAS LAS HERRAMIENTAS ALIMENTADAS CON BATERÍA | 58 | MÉTODO DE CARGA | 69 |
| NORMAS ESPECÍFICOS DE SEGURIDAD | 60 | ANTES DE LA UTILIZACIÓN | 72 |
| INSTRUCCIONES IMPORTANTES PARA LA UTILIZACIÓN DEL SIERRA CIRCULAR A BATERÍA | 63 | AJUSTE DE LA SIERRA ANTES DE UTILIZARLA ... | 73 |
| INSTRUCCIONES IMPORTANTES DE SEGURIDAD PARA EL CARGADOR DE BATERÍAS | 64 | OPERACIÓN | 75 |
| INSTRUCCIONES IMPORTANTES DE SEGURIDAD PARA LA BATERÍA Y EL CARGADOR DE BATERÍAS | 65 | MONTAJE Y DESMONTAJE DE LA HOJA DE SIERRA | 78 |
| DESCRIPCIÓN FUNCIONAL | 67 | FORMA DE CAMBIAR LA LÁMPARA | 79 |
| MODELO | 67 | MANTENIMIENTO E INSPECCIÓN | 81 |
| NOMENCLATURA | 67 | | |
| ESPECIFICACIONES | 68 | | |

IMPORTANT SAFETY INFORMATION

Read and understand all of the safety precautions, warnings and operating instructions in the Instruction Manual before operating or maintaining this power tool.

Most accidents that result from power tool operation and maintenance are caused by the failure to observe basic safety rules or precautions. An accident can often be avoided by recognizing a potentially hazardous situation before it occurs, and by observing appropriate safety procedures.

Basic safety precautions are outlined in the "SAFETY" section of this Instruction Manual and in the sections which contain the operation and maintenance instructions.

Hazards that must be avoided to prevent bodily injury or machine damage are identified by WARNINGS on the power tool and in this Instruction Manual.

NEVER use this power tool in a manner that has not been specifically recommended by HITACHI.

MEANINGS OF SIGNAL WORDS

WARNING indicates a potentially hazardous situations which, if ignored, could result in death or serious injury.

CAUTION indicates a potentially hazardous situations which, if not avoided, may result in minor or moderate injury, or may cause machine damage.

NOTE emphasizes essential information.

SAFETY

GENERAL SAFETY RULES – FOR ALL BATTERY OPERATED TOOLS

- ⚠ WARNING:** Read and understand all instructions.
Failure to follow all instructions listed below, may result in electric shock, fire and/or serious personal injury.

SAVE THESE INSTRUCTIONS

1. Work Area

- (1) **Keep your work area clean and well lit.** Cluttered benches and dark areas invite accidents.
- (2) **Do not operate power tools in explosive atmospheres, such as in the presence of flammable liquids, gases, or dust.** Power tools create sparks which may ignite the dust of fumes.
- (3) **Keep bystanders, children, and visitors away while operating a power tool.** Distractions can cause you to lose control.

2. Electrical Safety

- (1) **A battery operated tool with integral batteries or a separate battery pack must be recharged only with the specified charger for the battery.**
A charger that may be suitable for one type of battery may create a risk of fire when used with another battery.
- (2) **Use battery operated tool only with specifically designed battery pack.**
Use of any other batteries may create a risk of fire.

3. Personal Safety

- (1) **Stay alert, watch what you are doing and use common sense when operating a power tool. Do not use tool while tired or under the influence of drugs, alcohol, or medication.** A moment of inattention while operating power tools may result in serious personal injury.
- (2) **Dress properly. Do not wear loose clothing or jewelry. Contain long hair. Keep your hair, clothing, and gloves away from moving parts.** Loose clothes, jewelry, or long hair can be caught in moving parts.
- (3) **Avoid accidental starting. Be sure switch is off position before inserting battery.** Carrying tools with your finger on the switch or inserting the battery pack into a tool with the switch on invites accidents.
- (4) **Remove adjusting keys or wrenches before turning the tool on.** A wrench or a key that is left attached to a rotating part of the tool may result in personal injury.
- (5) **Do not overreach. Keep proper footing and balance at all times.** Proper footing and balance enables better control of the tool in unexpected situations.
- (6) **Use safety equipment. Always wear eye protection.** Dust mask, non-skid safety shoes, hard hat, or hearing protection must be used for appropriate conditions.

4. Tool Use and Care

- (1) **Use clamps or other practical way to secure and support the workpiece to a stable platform.** Holding the work by hand or against your body is unstable and may lead to loss of control.
- (2) **Do not force tool. Use the correct tool for your application.** The correct tool will do the job better and safer at the rate for which it is designed.
- (3) **Do not use tool if switch does not turn it on or off.** Any tool that cannot be controlled with the switch is dangerous and must be repaired.
- (4) **Disconnect battery pack from tool or place the switch in the locked or off position before making any adjustments, changing accessories, or storing the tools.** Such preventive safety measures reduce the risk of starting the tool accidentally.
- (5) **Store idle tools out of reach of children and other untrained persons.** Tools are dangerous in the hands of untrained users.
- (6) **When battery pack is not in use, keep it away from other metal objects like: paper clips, coins, keys, nails, screws, or other small metal objects that can make a connection from one terminal to another.**
Shorting the battery terminals together may cause sparks, burns, or a fire.
- (7) **Maintain tools with care. Keep cutting tools sharp and clean.** Properly maintained tools, with sharp cutting edges are less likely to bind and are easier to control.
- (8) **Check for misalignment or binding of moving parts, breakage of parts, and any other condition that may affect the tools operation. If damaged, have the tool serviced before using.** Many accidents are caused by poorly maintained tools.
- (9) **Use only accessories that are recommended by the manufacturer for your model.** Accessories that may be suitable for one tool may create a risk of injury when used on another tool.

5. Service

- (1) **Tool service must be performed only by qualified repair personnel.** Service or maintenance performed by unqualified personnel could result in a risk of injury.
- (2) **When servicing a tool, use only identical replacement parts. Follow instructions in the Maintenance section of this manual.** Use of unauthorized parts or failure to follow Maintenance Instruction may create a risk of electric shock or injury.

WARNING:

Some dust created by power sanding, sawing, grinding, drilling, and other construction activities contains chemicals known to the State of California to cause cancer, birth defects or other reproductive harm. Some examples of these chemicals are:

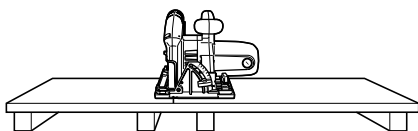
- Lead from lead-based paints,
- Crystalline silica from bricks and cement and other masonry products, and
- Arsenic and chromium from chemically-treated lumber.

Your risk from these exposures varies, depending on how often you do this type of work. To reduce your exposure to these chemicals: work in a well ventilated area, and work with approved safety equipment, such as those dust masks that are specially designed to filter out microscopic particles.

SPECIFIC SAFETY RULES

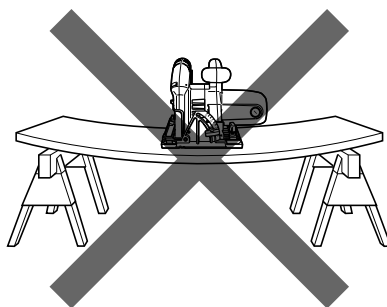
1. **DANGER! Keep hands away from cutting area and blade. Keep your second hand on auxiliary handle or motor housing.** If both hands are holding the saw, they cannot be cut by the blade.
Keep your body positioned to either side of the saw blade, but not in line with the saw blade. KICKBACK could cause the saw to jump backwards. (See KICKBACK)
Do not reach underneath the work. The guard can not protect you from the blade below the work.
2. **Check lower guard for proper closing before each use. Do not operate saw if lower guard does not move freely and close instantly. Never clamp or tie the lower guard into the open position.** If saw is accidentally dropped, lower guard may be bent. Raise the lower guard with the Retracting Handle and make sure it moves freely and does not touch the blade or any other part, in all angles and depths of cut.
3. **Check the operation and condition of the lower guard spring. If the guard the spring are not operating properly, they must be serviced before use.** Lower guard may operate sluggishly due to damaged parts, gummy deposits, or a buildup of debris.
4. **Lower guard should be retracted manually only for special cuts such as "Pocket Cuts" and "Compound Cuts." Raise lower guard by Retracting Handle. As soon as blade enters the material, lower guard must be released.** For all other sawing, the lower guard should operate automatically.
5. **Always observe that the lower guard is covering the blade before placing saw down on bench or floor.** An unprotected, coasting blade will cause the saw to walk backwards, cutting whatever is in its path. Be aware of the time it takes for the blade to stop after switch is released.
6. **NEVER hold piece being cut in your hands or across your leg.** It is important to support the work properly to minimize body exposure, blade binding, or loss of control.
7. **Hold tool by insulated gripping surfaces when performing an operation where the cutting tool may contact hidden wiring.** Contact with a "live" wire will also make exposed metal parts of the tool "live" and shock the operator.
8. **When ripping always use a rip fence or straight edge guide.** This improves the accuracy of cut and reduces the chance for blade binding.
9. **Always use blades with correct size and shape (diamond vs. round) arbor holes.** Blades that do not match the mounting hardware of the saw will run eccentrically, causing loss of control.
10. **Never use damaged or incorrect blade washers or bolts.** The blade washers and bolt were specially designed for your saw, for optimum performance and safety of operation.
11. **Causes and Operator Prevention of Kickback:**
Kickback is a sudden reaction to a pinched, bound, or misaligned saw blade, causing an uncontrolled saw to lift up and out of the workpiece toward the operator.
When the blade is pinched or bound tightly by the kerf closing down, the blade stalls and the motor reaction drives the unit rapidly back toward the operator.
If the blade becomes twisted or misaligned in the cut, the teeth at the back edge of the blade can dig into the top surface of the wood causing the blade to climb out of the kerf and jump back toward the operator.
Kickback is the result of tool misuse and/or incorrect operating procedures or conditions and can be avoided by taking proper precautions as given below:

12. **Maintain a firm grip on the saw and position your body and arm in a way that allows you to resist KICKBACK forces.** KICKBACK forces can be controlled by the operator, if proper precautions are taken.
13. **When blade is binding, or when interrupting a cut for any reason, release the trigger and hold the saw motionless in the material until the blade comes to a complete stop. Never attempt to remove the saw from the work or pull the saw backward while the blade is in motion or KICKBACK may occur.** Investigate and take corrective actions to eliminate the cause of blade binding.
14. **When restarting a saw in the workpiece, center the saw blade in the kerf and check that teeth are not engaged into the material.** If saw blade is binding, it may walk up or KICKBACK from the workpiece as the saw is restarted.
15. **Support large panels to minimize the risk of blade pinching and KICKBACK.** Large panels tend to sag under their own weight. Supports must be placed under the panel on both sides, near the line of cut and near the edge of the panel as shown in Fig. 1. To minimize the risk of blade pinching and kickback. When cutting operation requires the resting of the saw on the workpiece, the saw shall be rested on the larger portion and the smaller piece cut off.



To avoid kickback, do support board or panel near the cut.

Fig. 1



Don't support board or panel away from the cut.

Fig. 2

16. **Do not use dull or damaged blade.** Unsharpened or improperly set blades produce narrow kerf causing excessive friction, blade binding, and KICKBACK.
17. **Blade depth and bevel adjusting locking levers must be tight and secure before making cut.** If blade adjustment shifts while cutting, it will cause binding and KICKBACK.
18. **Use extra caution when making a "Pocket Cut" into existing walls or other blind areas.** The protruding blade may cut objects that can cause KICKBACK.
19. Hold tools by insulated gripping surfaces when performing an operation where the cutting tool may contact hidden wiring or its own cord. Contact with a "live" wire will make exposed metal parts of the tool "live" and shock the operator.
20. **Never touch moving parts.**
Never place your hands, fingers or other body parts near the tool's moving parts.
21. **Never operate without all guards in place.**
Never operate this tool without all guards or safety features in place and in proper working order. If maintenance or servicing requires the removal of a guard or safety feature, be sure to replace the guard or safety feature before resuming operation of the tool.

22. Use right tool.

Don't force small tool or attachment to do the job of a heavy-duty tool.

Don't use tool for purpose not intended—for example— don't use circular saw for cutting tree limbs or logs.

23. Never use a power tool for applications other than those specified.

Never use a power tool for applications other than those specified in the Instruction Manual.

24. Handle tool correctly.

Operate the tool according to the instructions provided herein. Do not drop or throw the tool. Never allow the tool to be operated by children, individuals unfamiliar with its operation or unauthorized personnel.

25. Definitions for symbols

V volts

== direct current

n₀ no load speed

---/min revolutions or reciprocation per minute

26. Keep all screws, bolts and covers tightly in place.

Keep all screws, bolts, and plates tightly mounted. Check their condition periodically.

27. Do not use power tools if the plastic housing or handle is cracked.

Cracks in the tool's housing or handle can lead to electric shock. Such tools should not be used until repaired.

28. Blades and accessories must be securely mounted to the tool.

Prevent potential injuries to yourself or others. Blades, cutting implements and accessories which have been mounted to the tool should be secure and tight.

29. Never use a tool which is defective or operating abnormally.

If the tool appears to be operating unusually, making strange noises, or otherwise appears defective, stop using it immediately and arrange for repairs by a Hitachi authorized service center.

30. Carefully handle power tools.

Should a power tool be dropped or struck against hard materials inadvertently, it may be deformed, cracked, or damaged.

31. Do not wipe plastic parts with solvent.

Solvents such as gasoline, thinner benzene, carbon tetrachloride, and alcohol may damage and crack plastic parts. Do not wipe them with such solvents.

Wipe plastic parts with a soft cloth lightly dampened with soapy water and dried thoroughly.

IMPORTANT SAFETY INSTRUCTIONS FOR USE OF THE CORDLESS CIRCULAR SAW

⚠ WARNING: Death or serious bodily injury could result from improper or unsafe use of the cordless circular saw. To avoid these risks, follow these basic safety instructions:

1. Wear ear plugs when using the tool for extended periods. Prolonged exposure to high intensity noise can cause hearing loss.
2. Never wedge or tie safety cover open. Check operation of safety cover before each use. Do not use if safety cover does not close briskly over saw blade.

⚠ CAUTION: If saw is dropped, safety cover may be bent restricting full return.

3. For this mode, the saw blades range should be from 165 mm to 160 mm.
4. Never place hands or other body parts near the saw blade during operation. Hold the circular saw by its handle only.
5. Because the cordless circular saw operates by battery power, be aware of the fact that it can begin to operate at any time.
6. Wear eye and ear protection at all times.
7. When working at elevated locations, clear the area of other people and aware of conditions below you.
8. It is important to support the work properly and to hold the saw firmly to prevent loss of control which could cause personal injury.
9. Guard against kickback: Kickback occurs when the saw stalls rapidly and is driven back towards the operator. Release switch immediately if blade binds or saw stalls.
 - Keep blades sharp.
 - Support the panel near the cut.
 - Use guide when ripping.
 - Don't force tool.
 - Stay alert exercise control
 - Don't remove saw from work during a cut while the blade is moving.
10. In operating, keep hold main body firmly.
11. Keep the light ON during cutting operation only. If it is lit ON in other cases, the main body switch can be inadvertently turned ON, resulting in unexpected accidents.

IMPORTANT SAFETY INSTRUCTIONS FOR BATTERY CHARGER

1. This manual contains important safety and operating instructions for battery charger Model UC 24YF.
2. Before using battery charger, read all instructions and cautionary markings on (1) battery charger, (2) battery, and (3) product using battery.

3. To reduce risk of injury, charge HITACHI rechargeable battery type EB7, EB9, EB12, EB14, EB18, EB24 series. Other type of batteries may burst causing personal injury and damage.
4. Do not expose battery charger to rain or snow.
5. Use of an attachment not recommended or sold by the battery charger manufacturer may result in a risk of fire, electric shock, or injury to persons.
6. To reduce risk of damage to electric plug and cord, pull by plug when disconnecting battery charger.
7. Make sure cord is located so that it will not be stepped on, tripped over, or otherwise subjected to damage or stress.
8. An extension cord should not be used unless absolutely necessary. Use of improper extension cord could result in a risk of fire and electric shock.

If extension cord must be used make sure:

- a. That blades of extension cord are the same number, size, and shape as those of plug on battery charger:
- b. That extension cord is properly wired and in good electrical condition; and
- c. That wire size is large enough for AC ampere rating of battery charger as specified in Table 1.

Table 1
RECOMMENDED MINIMUM AWG SIZE FOR
EXTENSION CORDS FOR BATTERY CHARGERS

| AC Input Rating Amperes* | | AWG Size of Cord | | | |
|--------------------------|---------------|------------------------------|---------|----------|----------|
| Equal to or greater than | but less than | Length of Cord, Feet (Meter) | | | |
| | | 25 (7.5) | 50 (15) | 100 (30) | 150 (45) |
| 0 | 2 | 18 | 18 | 18 | 16 |
| 2 | 3 | 18 | 18 | 16 | 14 |
| 3 | 4 | 18 | 18 | 16 | 14 |

* If the input rating of a battery charger is given in watts rather than in amperes, the corresponding ampere rating is to be determined by dividing the wattage rating by the voltage rating—for example:

$$\frac{1250\text{watts}}{125\text{ volts}} = 10\text{ amperes}$$

9. Do not operate battery charger with damaged cord or plug-replace them immediately.
10. Do not operate battery charger if it has received a sharp blow, been dropped, or otherwise damaged in any way; take it to a qualified serviceman.
11. Do not disassemble battery charger; take it to a qualified serviceman when service or repair is required. Incorrect reassembly may result in a risk of electric shock or fire.
12. To reduce risk of electric shock, unplug charger from receptacle before attempting any maintenance or cleaning. Removing the battery will not reduce this risk.

IMPORTANT SAFETY INSTRUCTIONS FOR USE OF THE BATTERY AND BATTERY CHARGER

You must charge the battery before you can use the cordless circular saw. Before using the model UC 24YF battery charger, be sure to read all instructions and cautionary statements on it, the battery and in this manual.

REMEMBER: USE ONLY HITACHI BATTERY TYPES EB7 SERIES, EB9 SERIES, EB12 SERIES, EB14 SERIES, EB18 SERIES, EB24 SERIES. OTHER TYPES OF BATTERIES MAY BURST AND CAUSE INJURY!

Follow these instructions to avoid the risk of injury:

⚠ WARNING: Improper use of the battery or battery charger can lead to serious injury. To avoid these injuries:

1. **NEVER** disassemble the battery.
2. **NEVER** incinerate the battery, even if it is damaged or is completely worn out. The battery can explode in a fire.
3. **NEVER** short-circuit the battery.
4. **NEVER** insert any objects into the battery charger's air vents. Electric shock or damage to the battery charger may result.
5. **NEVER** charge outdoors. Keep the battery away from direct sunlight and use only where there is low humidity and good ventilation.
6. **NEVER** charge when the temperature is below 32°F (0°C) or above 104°F (40°C).
7. **NEVER** connect two battery chargers together.
8. **NEVER** insert foreign objects into the hole for the battery or the battery charger.
9. **NEVER** use a booster transformer when charging.
10. **NEVER** use an engine generator or DC power to charge.
11. **NEVER** store the battery or battery charger in places where the temperature may reach or exceed 104°F (40°C).
12. **ALWAYS** operate charger on standard household electrical power (120 volts). Using the charger on any other voltage may overheat and damage the charger.
13. **ALWAYS** wait at least 15 minutes between charges to avoid overheating the charger.
14. **ALWAYS** disconnect the power cord from its receptacle when the charger is not in use.

**SAVE THESE INSTRUCTIONS
AND
MAKE THEM AVAILABLE TO
OTHER USERS
AND
OWNERS OF THIS TOOL!**

FUNCTIONAL DESCRIPTION

NOTE: The information contained in this Instruction Manual is designed to assist you in the safe operation and maintenance of the power tool.

NEVER operate, or attempt any maintenance on the tool unless you have first read and understood all safety instructions contained in this manual.

Some illustrations in this Instruction Manual may show details or attachments that differ from those on your own power tool

MODEL

C 6DC2 (BFK): with charger and case

NAME OF PARTS

1. Cordless Circular Saw (C 6DC2)

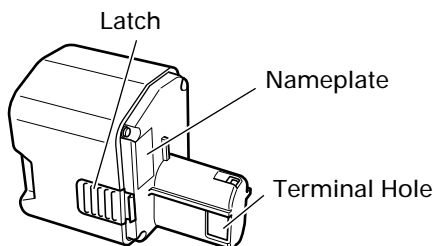
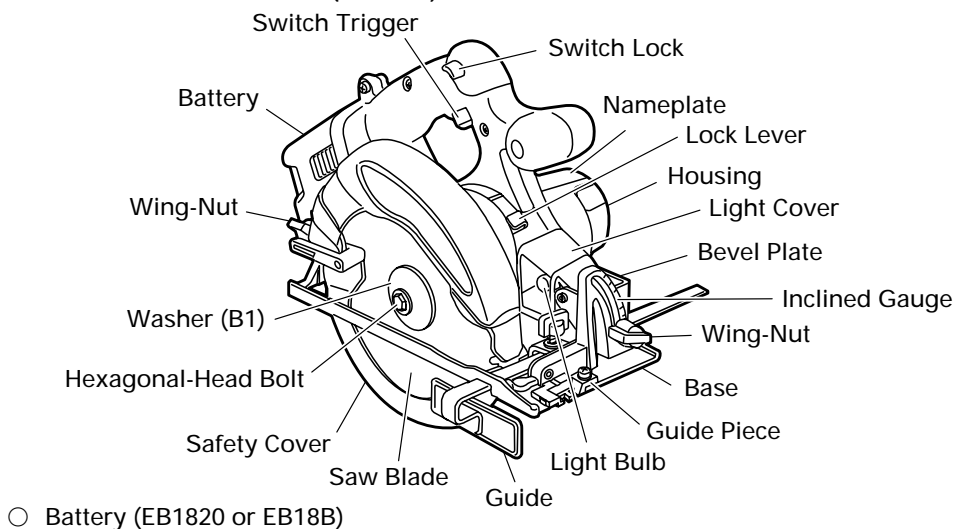


Fig. 3

2. Battery Charger (UC24YFA or UC 24YF)

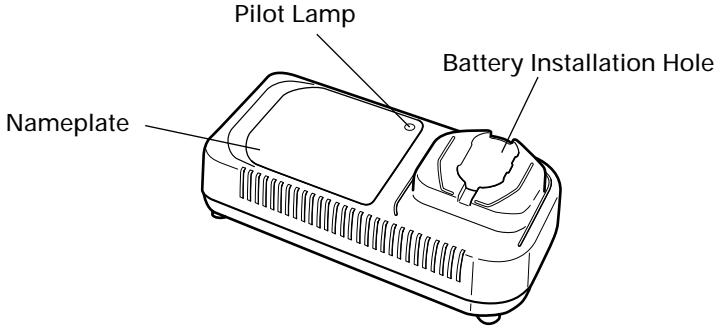


Fig. 4

SPECIFICATIONS

1. Cordless Circular Saw (C 6DC2)

| | |
|--------------------|--|
| Motor | DC motor |
| No-load speed | 3400/min |
| Max. Cutting Depth | 2-1/4" (57 mm) |
| Blade Size | 6-1/2" (165 mm) $\text{D} \times 5/8"$ (15.9 mm) $\text{H} \times 1/16"$ (1.6 mm) T |
| Battery (EB1820) | Nickel cadmium battery Voltage DC18V Charging and discharging frequency ... about 1000 times |
| Light Bulb | 12V, 5W |
| Weight | 7.3 lbs (3.3 kg) |

2. Battery Charger

| Model | UC24YFA | UC24YF |
|--------------------|---|----------------|
| Input power source | Single phase: AC120V 60Hz | |
| Charging time | Approx. 50min. (At a temperature of 68°F (20°C)) | Approx. 60min. |
| Charging voltage | DC 7.2 – 24V | |
| Charging current | DC 2.5A | DC 2.1A |
| Weight | 1.3 lbs (0.6 kg) | 2.2 lbs (1 kg) |

NOTE: The charging time may vary according to ambient temperature and power source voltage.

ASSEMBLY AND OPERATION

APPLICATIONS

- Cutting Various types of wood.

REMOVAL AND INSTALLATION METHOD OF BATTERY

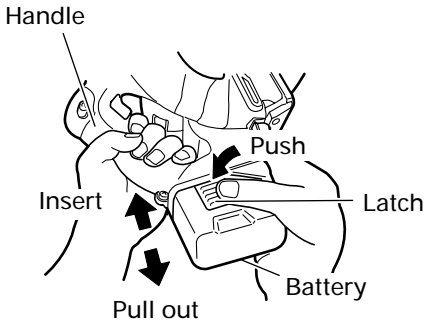


Fig. 5

- How to install the battery.
Align the battery with the groove in tool handle and install it into place. Always insert it all the way until it locks in place with a little click, If not, it may accidentally fall out of the tool, causing injury to you or someone around you. (Fig. 5)
- How to remove the battery.
Withdraw battery from the tool handle while pressing the latches on both sides of the battery. (Fig. 5)

CHARGING METHOD

NOTE: Before plugging into the receptacle, make sure the following points.

- The power source voltage is stated on the nameplate.
- The cord is not damaged.

⚠ WARNING: Do not charge at voltage higher than indicated on the nameplate. If charged at voltage higher than indicated on the nameplate, the charger will burn out.

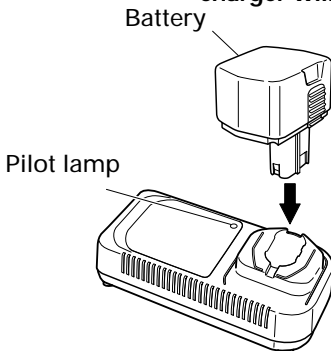


Fig. 6

1. Insert the plug of battery charger into the receptacle.
When the plug of battery charger has been inserted into the receptacle, pilot lamp will blink in red. (At 1-second intervals)

⚠ WARNING: Do not use the electrical cord if damaged. Have it repaired immediately.

2. Insert the battery to the battery charger.

Insert the battery into the battery charger as shown in Fig. 6. Make sure it contacts the bottom of the battery charger.

⚠ CAUTION:

- If the batteries are inserted in the reverse direction, not only recharging will become impossible, but it may also cause problems in the charger such as a deformed recharging terminal.

3. Charging

When the battery is connected to the battery charger, charging will commence and the pilot lamp will light in red. (See Table 2)






NOTE: If the pilot lamp flickers in red, pull out the plug from the receptacle and check if the battery is properly mounted.

When the battery is fully charged, the pilot lamp will blink in red slowly. (At 1-second intervals) (See Table 2)

(1) Pilot lamp indication

The indications of the pilot lamp will be as shown in Table 2, according to the condition of the charger or the rechargeable battery.

Table 2

| Indications of the pilot lamp | | | |
|-------------------------------|----------------|--|--|
| Before charging | Blinks (RED) | Lights for 0.5 seconds. Does not light for 0.5 seconds. (off for 0.5 seconds)  | / |
| While charging | Lights (RED) | Lights continuously  | |
| Charging complete | Blinks (RED) | Lights for 0.5 seconds. Does not light for 0.5 seconds. (off for 0.5 seconds)  | |
| Charging impossible | Flickers (RED) | Lights for 0.1 seconds. Does not light for 0.1 seconds. (off for 0.1 seconds)  | Malfunction in the battery or the charger |
| Charging impossible | Lights (GREEN) | Lights continuously  | The battery temperature is high, making recharging impossible. |

(2) Regarding the temperature of the rechargeable battery.

The temperatures for rechargeable batteries are as shown in the table below, and batteries that have become hot should be cooled for a while before being recharged.

Table 3 Recharging of batteries that have become hot

| Rechargeable batteries | Temperatures at which the battery can be recharged |
|------------------------|--|
| EB1820, EB18B | 23°F — 140°F (-5°C — 60°C) |

4. Disconnect battery charger from the receptacle.

⚠ CAUTION:

Do not pull the plug out of the receptacle by pulling on the cord.

Make sure to grasp the plug when removing from receptacle to avoid damaging cord.

5. Remove the battery from the battery charger.

Supporting the battery charger by hand, pull out the battery from the battery charger.

⚠ CAUTION:

- **When the battery charger has been continuously used, the battery charger will be heated, thus constituting the cause of the failures. Once the charging has been completed, give 15 minutes rest until the next charging.**
- **If the battery is recharged when it is warm due to battery use or exposure to sunlight, the pilot lamp may light in green.**
The battery will not be recharged. In such a case, let the battery cool before charging.
- **When the pilot lamp flickers rapidly in red (at 0.2-second intervals), check for and take out any foreign objects in the charger's battery installation hole. If there are no foreign objects, it is probable that the battery or charger is malfunctioning. Take it to an authorized Service Center.**

Regarding electric discharge in case of new batteries, etc.

As the internal chemical substance of new batteries and batteries that have not been used for an extended period is not activated, the electric discharge might be low when using them the first and second time. This is a temporary phenomenon, and normal time required for recharging will be restored by recharging the batteries 2 – 3 times.

How to make the batteries perform longer.

(1) Recharge the batteries before they become completely exhausted.

When you feel that the power of the tool becomes weaker, stop using the tool and recharge its battery. If you continue to use the tool and exhaust the electric current, the battery may be damaged and its life will become shorter.

(2) Avoid recharging at high temperatures.

A rechargeable battery will be hot immediately after use. If such a battery is recharged immediately after use, its internal chemical substance will deteriorate, and the battery life will be shortened. Leave the battery and recharge it after it has cooled for a while.

BEFORE USE

1. Check the work area environment.

Check the work area to make sure that it is clear of debris and clutter.

Clear the area of unnecessary personnel. Ensure that lighting and ventilation is adequate.

2. Check if saw blade is tightened

While the saw blade is tightened securely for immediate use when it is assembled at the factory, be sure to check it out again for caution's sake. A bolt can be tightened when it is turned clockwise. Use the provided box wrench to check it out.

For further details, refer to the item of [MOUNTING AND DISMOUNTING THE SAW BLADE] on Page 22.

3. Check if wing nut is tightened

If the wing nut to adjust cutting depth (Fig. 8) is loose, injury can result. Make sure that it is tightened securely.

4. Check performance of safety cover

⚠ WARNING: Make absolutely sure that the safety cover is not fixed. Also, check and see if it can move smoothly. If the saw blade is kept exposed, injury can result.

The safety cover (refer to Fig. 3) serves to protect your body from coming into contact with the saw blade. Make absolutely certain that the cover smoothly performs to cover the saw blade. If the safety cover should not move smoothly, never use it without repairing it.

In such a case, get in touch with the store where you bought the circular saw or the HITACHI Authorized Service Center for necessary repair.

5. Check battery insertion

⚠ WARNING: If the battery is inserted while the power switch is in the ON position, the power tool will start operating immediately, inviting serious accident.

⚠ CAUTION: Until the battery locks in place with a little click, if not, it may accidentally fall out of the tool causing injury to you or someone around you.

6. Check for proper operation of the brake.

This circular saw features an electric brake that functions when the switch is released. Before using the circular saw, ensure that the electric brake functions properly. If it does not, bring the tool to an Hitachi Authorized Service Center.

7. Prepare a wooden work bench (Fig. 7)

Since the saw blade will extend beyond the lower surface of the lumber, place the lumber on a work bench when cutting. If a square block is utilized as a work bench, select level ground to ensure it is properly stabilized. An unstable work bench will result in hazardous operation.

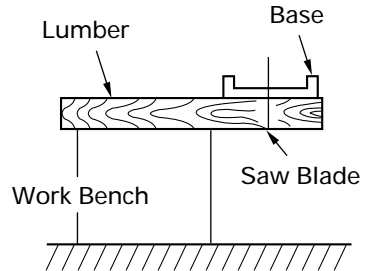


Fig. 7

⚠ CAUTION:

To avoid possible accident, always ensure that the portion of lumber remaining after cutting is securely anchored or held in position.

ADJUSTING THE SAW PRIOR TO USE

1. Adjusting the cutting depth (Fig. 8)

⚠ WARNING: If the wing-nut is loose, injury can result. Tighten it securely after adjustment.

To adjust cutting depth, loosen the Wing-nut and, while holding the base with one hand, move the main body up and down to obtain the prescribed cutting depth. After adjusting to the prescribed cutting depth, tighten the Wing-nut securely.

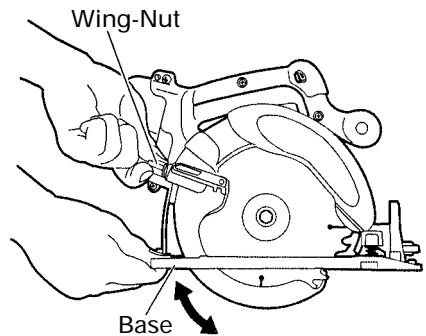


Fig. 8

2. Adjusting the angle of inclination

⚠ WARNING: If the wing-nut is loose, injury can result. Tighten it securely after adjustment.

As shown in Fig. 9 by loosening the wing-nut on the inclined gauge, the saw blade may be inclined to a maximum angle of 47° in relation to the base. Always insure that the wing-nut is thoroughly tightened after making the desired adjustment.

NOTE: Values of the inclined gauge provided on the base merely serve as a rough guideline. For cutting operation at an inclined posture, use the circular saw after adjusting the angle between the base and the saw blade with a protractor, etc.

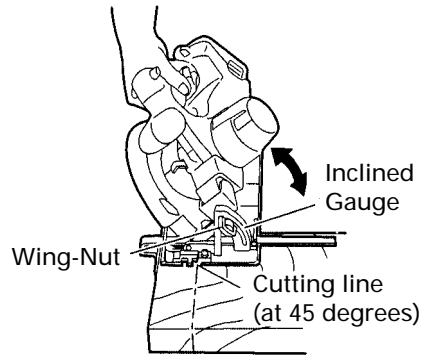


Fig. 9

3. Adjusting the guide piece

On the circular saw, it is possible to make fine adjustment of the fixing position of the guide piece, where the saw blade and the premarked line are to be aligned.

When the saw is shipped from the factory, the linear portion of a front scale on the guide piece is aligned with the central position of the saw blade. (Fig. 10)

Loosen the fixed screw on the guide piece, should the fixing position be wrong, and make necessary adjustment of the position. (Fig. 11)

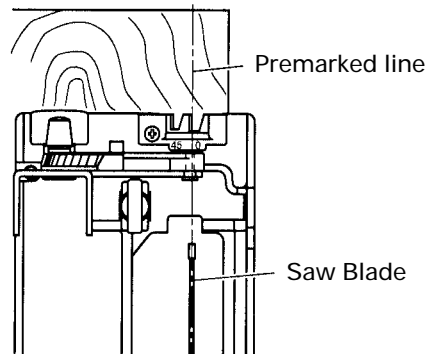


Fig. 10

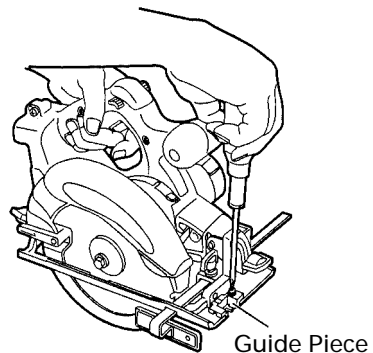


Fig. 11

4. Regulating the guide (Fig. 12)

The cutting position can be regulated by moving the guide to the left or right after loosening its wing-bolt. The guide may be mounted on either the right or left side of the tool.

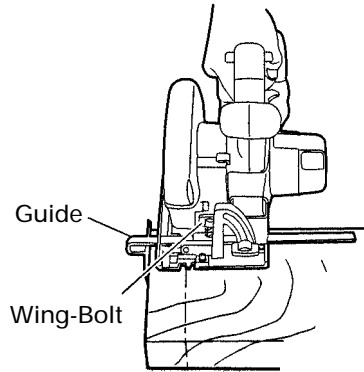


Fig. 12

OPERATION

⚠ WARNING:

- Never touch the moving parts.
- Never operate the circular saw with the saw blade turned upward or to the side.
- Do not fix and secure the switch lock. Besides, keep your finger off the switch trigger when the circular saw is being carried around. Otherwise, the main body switch can be inadvertently turned ON, resulting in unexpected accidents.
- Keep the light ON during cutting operation only. If it is lit ON in other cases, the main body switch can be inadvertently turned ON, resulting in unexpected accidents.

⚠ CAUTION:

- Don't remove circular saw from workpiece during a cut while the saw blade is moving.
- Pull out the battery after completing operation.

NOTE:

Take care not to lock the motor. If the motor is locked, immediately turn the power off. If the motor is locked for a while, the motor or battery may be burnt.

1. Operation of switch (switch trigger and light switch)

- (1) For safe operation of the machine, a "switch lock" is provided on the side of a handle.

If the "switch lock" is pulled in a state where it is pressed in the direction of the arrow mark, the main switch can be turned ON.

And the "switch lock" is used as the "light switch". If the "switch lock (light switch)" is pulled in a state, the light is turned ON.

- (2) After the switch is turned ON, even when you release your hand from the switch lock, the body continues running and the light continues being turned ON as long as you keep on pulling the switch trigger.

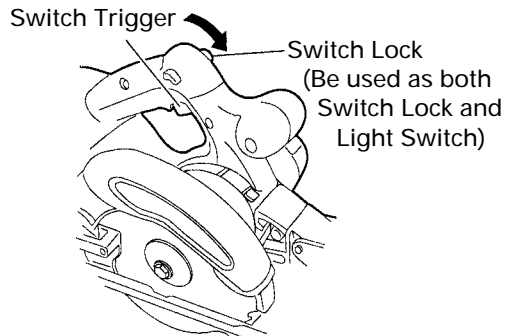


Fig. 13

(3) If you release the switch trigger, you can turn OFF the switch and the “switch lock” returns to the original position automatically and the light turns OFF too.

2. Working performance per single charge (Reference data)

- Cutting capability differs according to the condition of lumber, type of saw blade, ambient temperature, battery characteristics, etc.

| Wood | Capacity |
|---------------------------------------|---------------|
| 2 × 8 (Spruce-Pine-Fir) | 80 (cuts) |
| Concreteform plywood (1/2" (12 mm) t) | 100 ft (30 m) |

To improve working efficiency per single charge,

- Minimize operation (no-load operation) other than cutting;
- Avoid any unreasonably forced pressure to the motor during cutting operation by twisting or pressing the circular saw forcibly;
- Avoid any use of dull saw blade.

3. Cutting procedures

⚠ CAUTION:

- Recheck that the saw blade is securely clamped.
- Confirm that the wing-nut for adjusting the slot depth, the wing-bolt for adjusting the angle of inclination.

(1) Place the base on the material, then align the premarked line and the saw blade with the guide piece front scale section at the front of the base. (Fig. 14)

(2) When the base is not inclined, use the large notch as the guide piece. (Fig. 14, Fig. 15)

If the base is inclined (45 degrees), use the small notch as the guide piece. (Fig. 14, Fig. 16)

NOTE: When using the saw at the inclination of 45 degrees, use both the marks of [45 degrees] on the bevel plate and [45] on the inclined gauge of the base. (Fig. 17)

What's more, if it is absolutely essential to use the saw at a precise angle, make adjustment using a protractor, etc.

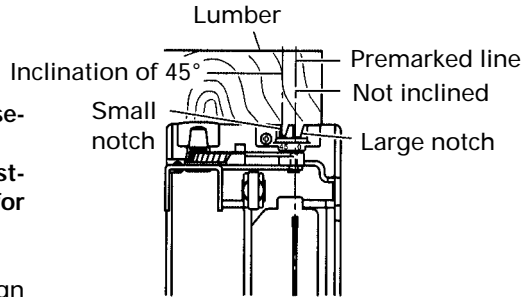


Fig. 14 (Top View)

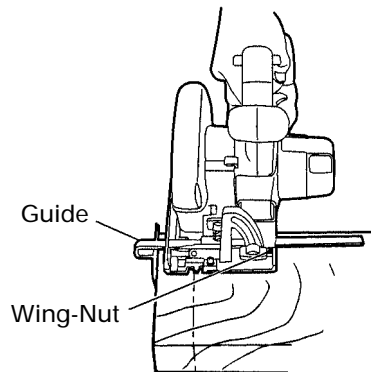


Fig. 15 Not inclined

- (3) Ensure that the switch is turned to the ON position before the saw blade comes in contact with the lumber. The switch is turned ON when the trigger is squeezed; and OFF when the trigger is released. Moving the saw straight at a constant speed will produce optimum cutting.

⚠ CAUTION:

- Before starting to saw, ensure that the saw blade has reached full speed revolution.
- Should the saw blade be stopped or made an abnormal noise during operation, turn off the switch immediately.
- When finished with a job, pull out the battery from the main body.
- Twisting and forcibly pressing the saw during cutting can result in unreasonable pressure on the motor, so try to go straight quietly.
- In the situation where the circular saw is continuously operated while replacing the battery with stocked spare batteries one after another, the motor tends to overheat. Therefore, whenever the housing becomes hot, give the saw a break for a while.
- Avoid cutting operation in a state where the base bottom is afloat from the material being cut. Otherwise, the motor can get locked.

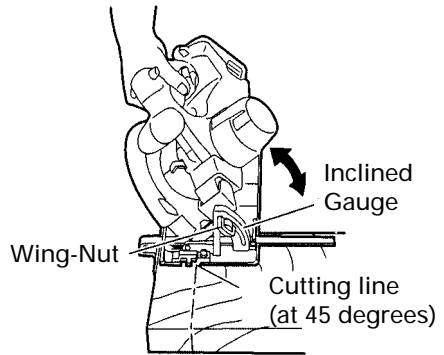


Fig. 16

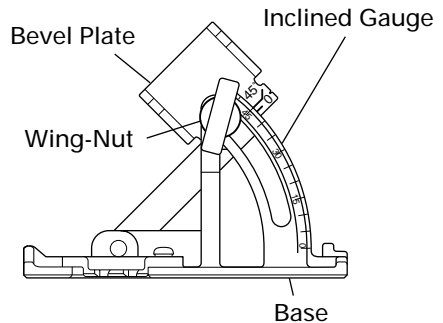


Fig. 17

MOUNTING AND DISMOUNTING THE SAW BLADE

⚠ CAUTION:

To avoid serious accident, ensure the switch is in the OFF position, and pull out the battery.

1. Dismounting the saw blade

- (1) Set the cutting volume at maximum, and place the Circular Saw as shown in Fig. 18.
- (2) Depress the lock lever, lock the spindle, and remove the hexagonal-head bolt and washer(B1) with the box wrench.
- (3) While holding the safety cover lever to keep the safety cover fully retracted into the saw cover, remove the saw blade. (Fig. 19)

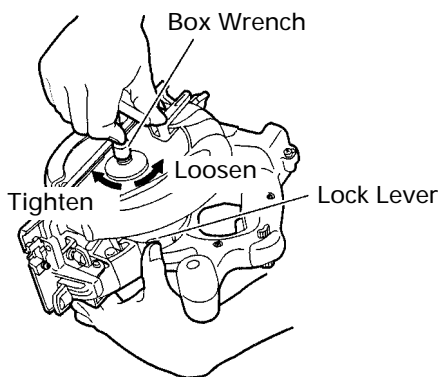


Fig. 18

2. Mounting the Saw Blade (Fig. 20)

⚠ WARNING:

If the bolt is worked using other tools than the provided box wrench, excessive tightening and insufficient tightening may take place, resulting in injury.

- Take procedures here that are contrary to the detaching procedures.

NOTE:

- Thoroughly remove any sawdust which has accumulated on the spindle, bolt and washers.
- To assure proper rotation direction of the saw blade, the arrow direction on the saw blade must coincide with the arrow direction on the saw cover.
- Using the fingers, tighten the hexagonal-head bolt retaining the saw blade as much as possible. Then depress the lock lever, lock the spindle, and thoroughly tighten the hexagonal-head bolt.

⚠ CAUTION:

After mounting the saw blade, reconfirm that the lock lever is firmly secured in the prescribed position.

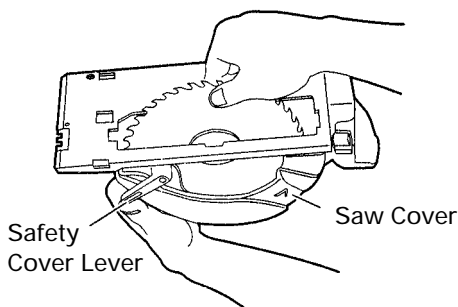


Fig. 19

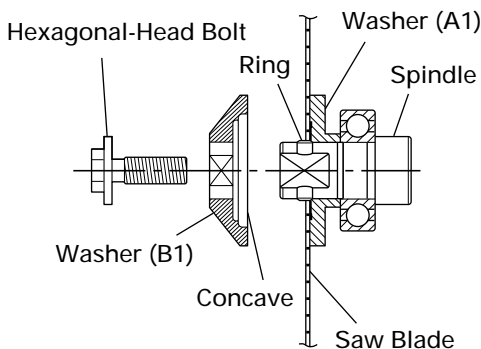


Fig. 20

REPLACING LIGHT BULB

⚠ WARNING:

- Make absolutely sure that the battery is removed from the main body before replacing the light bulb.
- Immediately after the light is turned OFF, the bulb retains high temperature. Make sure to cool down the light bulb thoroughly before replacing it so as to prevent burns.

⚠ CAUTION:

When replacing the light bulb, check the shape of base as well as the rating (12 V, 5 W), and then carry out perfect mounting. Otherwise, the light bulb can come off and/or cause overheat.

1. Detaching light bulb

- (1) Remove the convex part of the light cover from the concave part of the housing, and then pull out the light cover in the arrow-marked direction as shown in Fig. 21.
- (2) Push the back of the socket, and remove the socket and the light bulb together from the housing. (Fig. 22)
- (3) Remove the light bulb from the socket. (Fig. 23)

2. Attaching light bulb

Take procedures here that are contrary to the detaching procedures.

NOTE:

- When attaching the light bulb to the socket, insert the light bulb until it lightly bumps against the socket.
- When attaching the socket to the housing, align the socket with the hole of housing while watching the back of the socket shown in Fig. 23, and insert the socket until it lightly bumps against the housing.

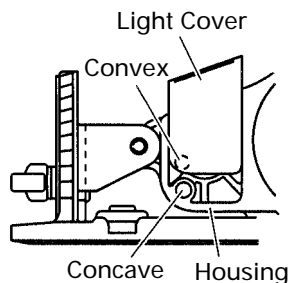


Fig. 21 (Side View)

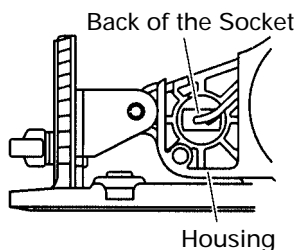


Fig. 22

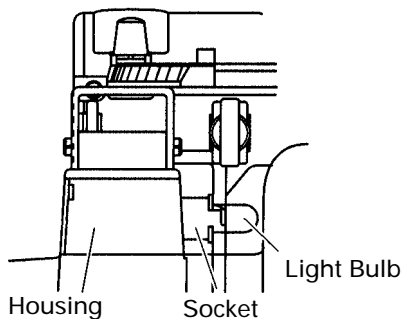


Fig. 23 (Top View)

MAINTENANCE AND INSPECTION

⚠ CAUTION: Pull out battery before doing any inspection or maintenance.

1. Inspecting the saw blade:

Since use of a dull saw blade will degrade efficiency and cause possible motor malfunction, sharpen or replace the saw blade as soon as abrasion is noted.

⚠ CAUTION:

If a dull saw blade is used, reactive force is increased during cutting operation. Avoid the use of the dull saw blade without repair.

2. Check the mounting screws

Loose mounting screws are dangerous. Regularly inspect them and make sure they are tight.

⚠ CAUTION: Using this power tool with loosen, screws is extremely dangerous.

3. Performance checkup and maintenance of safety cover

Keep the safety cover in good shape for smooth performance at all times. Be sure to make prompt repair in case of any malfunction.

4. Adjusting the base and saw blade to maintain perpendicularity

The angle between the base and the saw blade has been adjusted to 90°, however should this perpendicularity be lost for some reason, adjust in the following manner.

(1) Turn the base face up (Fig. 24) and loosen the wing-nut.

(2) Apply a square to the base and the saw blade and, turning the slotted set screw with a slotted-head screwdriver, shift the position of the base to produce the desired right angle.

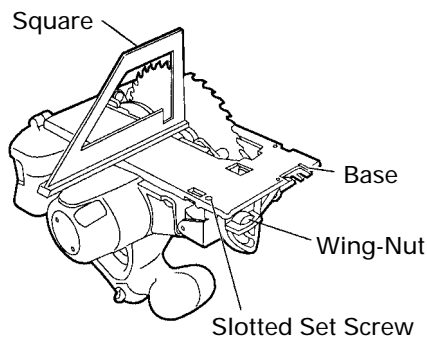



Fig. 24

5. Check for dust

Dust may be removed with a clean rag or a cloth dampened with soapy water. Do not use bleach, chlorine, gasoline or thinner, for they may damage the plastics.

6. Disposal of the exhausted battery

 WARNING: Do not dispose of the exhausted battery. The battery must explode if it is incinerated. The product that you have purchased contains a rechargeable battery. The battery is recyclable. At the end of its useful life, under various state and local laws, it may be illegal to dispose of this battery into the municipal waste stream. Check with your local solid waste officials for details in your area for recycling options or proper disposal.

7. Storage

Storing in a place below 104°F (40°C) and out of the reach of children.

8. Service and repairs

All quality power tools will eventually require servicing or replacement of parts because of wear from normal use. To assure that only genuine replacement parts must be used, all service and repairs must be performed by a HITACHI AUTHORIZED SERVICE CENTER, ONLY.

INFORMATIONS IMPORTANTES DE SÉCURITÉ

Lire et comprendre toutes les précautions de sécurité, les avertissements et les instructions de fonctionnement dans ce mode d'emploi avant d'utiliser ou d'entretenir cet outil motorisé.

La plupart des accidents causés lors de l'utilisation ou de l'entretien de l'outil motorisé proviennent d'un non respect des règles ou précautions de base de sécurité. Un accident peut la plupart du temps être évité si l'on reconnaît une situation de danger potentiel avant qu'elle ne se produise, et en observant les procédures de sécurité appropriées.

Les précautions de base de sécurité sont mises en évidence dans la section "SECURITE" de ce mode d'emploi et dans les sections qui contiennent les instructions de fonctionnement et d'entretien.

Les dangers qui doivent être évités pour prévenir des blessures corporelles ou un endommagement de la machine sont identifiés par AVERTISSEMENTS sur l'outil motorisé et dans ce mode d'emploi.

NE JAMAIS utiliser cet outil motorisé d'une manière qui n'est pas spécifiquement recommandée par HITACHI.

SIGNIFICATION DES MOTS D'AVERTISSEMENT

AVERTISSEMENT indique des situations potentiellement dangereuses qui, si elles sont ignorées, pourraient entraîner la mort ou de sérieuses blessures.

PRECAUTION indique des situations dangereuses potentielles qui, si elles ne sont pas évitées, peuvent entraîner de mineures et légères blessures ou endommager la machine.

REMARQUE met en relief des informations essentielles.

SECURITE

REGLES GENERALE DE SECURITE – POUR TOUS LES OUTILS FONCTIONNANT SUR BATTERIE

⚠ AVERTISSEMENT: Lire et comprendre toutes les instructions. Un non respect de toutes les instructions ci-dessous peut entraîner une électrocution, un incendie et/ou de sérieuses blessures personnelles.

CONSERVER CES INSTRUCTIONS

1. Zone de travail

- (1) **Garder la zone de travail propre et bien éclairée.** Les établis mal rangés et les zones sombres invitent aux accidents.
- (2) **Ne pas utiliser les outils motorisés dans une atmosphère explosive, telle qu'en présence de liquides inflammables, de gaz ou de poussières.** Les outils motorisés créent des étincelles qui risquent d'enflammer la poussière ou les vapeurs.
- (3) **Tenir les spectateurs, les enfants et les visiteurs éloignés, lors de l'utilisation de l'outil motorisé.** Une distraction peut faire perdre le contrôle de la machine.

2. Sécurité électrique

- (1) **Un outil motorisé à batterie avec batterie intégrée ou batterie séparée ne devra être rechargé qu'avec le chargeur spécialement conçu pour la batterie.** Un chargeur qui convient pour un type de batterie donné peut présenter un risque de feu s'il est utilisé avec une autre batterie.
- (2) **Utiliser l'outil motorisé à batterie exclusivement avec la batterie spécialement conçue.** L'utilisation de toute autre batterie peut présenter un risque de feu.

3. Sécurité personnelle

- (1) **Rester sur ses gardes, regarder ce que l'on fait et utiliser son sens commun lors de l'utilisation d'un outil motorisé. Ne pas utiliser un outil en état de fatigue ou sous l'influence de drogues, d'alcool ou de médicaments.** Un moment d'inattention lors de l'utilisation de l'outil motorisé peut entraîner de sérieuses blessures personnelles.
- (2) **S'habiller correctement. Ne pas porter des vêtements larges ou des bijoux. Attacher les cheveux longs. Tenir ses cheveux, vêtements et ses gants éloignés des parties mobiles.** Les vêtements larges, les bijoux et les cheveux longs peuvent se prendre dans les parties mobiles.
- (3) **Eviter tout démarrage accidentel. S'assurer que le l'interrupteur d'alimentation est sur la position d'arrêt avant de brancher la machine.** Transporter l'appareil avec les doigts sur l'interrupteur d'alimentation ou brancher un outil avec l'interrupteur sur la position marche invite aux accidents.
- (4) **Retirer les clefs d'ajustement ou les commutateurs avant de mettre l'outil sous tension.** Une clef qui est laissée attachée à une partie tournante de l'outil peut provoquer une blessure personnelle.
- (5) **Ne pas trop présumer de ses forces. Garder en permanence une position et un équilibre correct.** Une position et un équilibre correct permettent un meilleur contrôle de l'outil dans des situations inattendues.
- (6) **Utiliser un équipement de sécurité. Toujours porter des lunettes de protection. Un masque à poussière, des chaussures de sécurité antidérapantes, un chapeau dur et des bouchons d'oreille doivent être utilisés dans les conditions appropriées.**

4. Utilisation de l'outil et entretien

- (1) **Utiliser un étau ou toutes autres façons de fixer et maintenir la pièce à usiner sur une plate-forme stable.** Tenir la pièce avec la main ou contre son corps est instable et peut conduire à une perte de contrôle de l'outil.
- (2) **Ne pas forcer sur l'outil. Utiliser l'outil correct pour l'application souhaitée.** L'outil correct réalisera un meilleur et plus sûr travail dans le domaine pour lequel il a été conçu.
- (3) **Ne pas utiliser un outil s'il ne se met pas sous ou hors tension avec un interrupteur.** Un outil qui ne peut pas être commandé avec un interrupteur est dangereux et doit être réparé.
- (4) **Débrancher la batterie de l'outil ou mettre l'interrupteur sur la position verrouillée ou éteinte avant d'effectuer un réglage, de remplacer un accessoire ou de ranger l'outil.** Ces mesures de sécurité préventives réduiront les risques de déclenchement accidentel de l'outil.
- (5) **Ranger les outils inutilisés hors de la portée des enfants et des autres personnes inexpérimentées.** Les outils sont dangereux dans les mains de personnes inexpérimentées.
- (6) **Lorsqu'on ne se sert pas de la batterie, l'éloigner des objets métalliques, par exemple trombones, pièces de monnaie, clous, vis, ou petits objets métalliques qui peuvent créer une connexion entre deux bornes.** Le fait de court-circuiter les bornes entre elles peut provoquer des étincelles, des brûlures ou un feu.
- (7) **Conserver les outils avec soin. Garder les outils de coupe aiguisés et propres.** Des outils bien entretenus, avec des lames coupantes aiguisées risquent moins de se gripper et sont plus faciles à contrôler.
- (8) **Vérifier les défauts d'alignement ou grippage des parties mobiles, les ruptures des pièces et toutes les autres conditions qui peuvent affecter le fonctionnement des outils. En cas de dommage, faire réparer l'outil avant de l'utiliser.** Beaucoup d'accidents sont causés par des outils mal entretenus.
- (9) **Utiliser uniquement les accessoires recommandés par le fabricant pour le modèle utilisé.** Des accessoires qui conviennent à un outil peuvent présenter un risque de danger lorsqu'ils sont utilisés avec un autre outil.

5. Réparation

- (1) **La réparation de l'outil ne doit être réalisée uniquement par un réparateur qualifié.** Une réparation ou un entretien réalisé par un personnel non qualifié peut entraîner des risques de blessures.
- (2) **Lors de la réparation d'un outil, utiliser uniquement des pièces de rechange identiques. Suivre les instructions de la section d'entretien de ce mode d'emploi.** L'utilisation de pièces non autorisées ou un non respect des instructions d'entretien peut créer un risque d'électrocution ou de blessures.

AVERTISSEMENT:

La poussière résultant d'un ponçage, d'un sciage, d'un meulage, d'un perçage ou de toute autre activité de construction renferme des produits chimiques qui sont connus par l'Etat de Californie pour causer des cancers, des défauts de naissance et autres anomalies de reproduction. Nous énumérons ci-dessus certains de ces produits chimiques:

- Plomb des peintres à base de plomb,
- Silice cristalline des briques et du ciment et autres matériaux de maçonnerie, et
- Arsenic et chrome du bois d'oeuvre traité chimiquement.

Le risque d'exposition à ces substances varie en fonction de la fréquence d'exécution de ce genre de travail. Pour réduire l'exposition à ces produits chimiques, travailler dans un lieu bien ventilé, et porter un équipement de protection agréé, par exemple un masque anti-poussière spécialement conçu pour filter les particules microscopiques.

REGLES DE SECURITE SPECIFIQUES

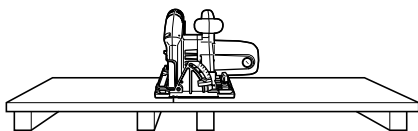
- 1. DANGER ! Ne pas approcher les mains de la zone de coupe ni de la lame. Mettre la seconde main sur la poignée auxiliaire ou sur le carter moteur.** Si les deux mains tiennent la lame, elles risquent d'être coupées par la lame.
Placer le corps de l'un ou de l'autre côté de la lame, et non dans l'axe de la lame. Un RETOUR DE LAME pourrait faire sauter la lame en arrière. (Voir RETOUR DE LAME.)
Ne pas passer la main sous la pièce. La protection ne protégera pas l'opérateur de la lame sous la pièce.
- 2. Vérifier que la garde inférieure se referme bien avant chaque utilisation. Ne pas faire fonctionner la lame si la protection inférieure ne se déplace pas librement et ne se referme pas instantanément. Ne jamais fixer ni attacher la protection inférieure en position ouverte.** Si la lame tombe accidentellement, la protection inférieure risque de se voiler. Relever la protection inférieure avec la poignée de rétraction et s'assurer qu'elle se déplace librement et qu'elle ne touche pas la lame ni aucune autre pièce à tous les angles et toutes les profondeurs de coupe.
- 3. Vérifier le fonctionnement et l'état du ressort de protection inférieure. Si la protection et le ressort ne fonctionnent pas correctement, il faudra les faire réparer avant de les utiliser.** Le fonctionnement de la protection inférieure risque d'être lent s'il y a des pièces endommagées, des dépôts gluants ou une accumulation de débris.
- 4. La protection inférieure ne devra être rétractée manuellement que pour des coupes spéciales comme les "coupes de poche" et les "coupes composées". Relever la protection inférieure avec la poignée de rétraction. Dès que la lame entre en contact avec le matériau, relâcher la protection inférieure.** Pour toutes les autres opérations de coupe, laisser la protection inférieure fonctionner automatiquement.
- 5. Toujours s'assurer que la protection inférieure recouvre la lame avant de poser la scie sur un établi ou sur le sol.** Une lame qui tournerait sans être protégée fera avancer la scie vers l'arrière, et elle coupera tout ce qu'elle rencontre sur son passage. Bien évaluer le temps nécessaire pour que la lame cesse de tourner après avoir relâché l'interrupteur.
- 6. Ne JAMAIS tenir la pièce à couper avec les mains ou sur le genou.** Il est important de soutenir la pièce correctement pour éviter tout risque d'exposition du corps, tout voilage de la lame et toute perte de contrôle de l'outil.
- 7. Tenir l'outil par ses surfaces de saisie isolées lors d'un travail dans un endroit où la lame risque d'entrer en contact avec des fils cachés.** Tout contact avec un fil sous tension transmettra également le courant aux parties métalliques et provoquera une décharge électrique.
- 8. Pour tout travail de refente, toujours utiliser une garde de refente ou un guide à bord droit.** Cela améliorera la précision de coupe et réduira les risques de voilage de la lame.
- 9. Toujours utiliser des lames avec des orifices d'alésage de la taille et de la forme correctes (carrés ou ronds).** Des lames ne correspondant pas au système de montage de la scie auront une rotation excentrée, ce qui provoquera une perte de contrôle de l'outil.
- 10. Ne jamais utiliser de rondelles ni de boulons de lame endommagés ou incorrects.** Les rondelles et le boulon de lame ont été spécialement conçus pour la scie, et ils garantiront les performances et la sécurité maximales.
- 11. Causes des retours de lame et protection de l'opérateur :**
Un retour de lame est la réaction brusque d'une lame pincée, coincée ou mal alignée, qui fait que la lame, qui n'est plus contrôlée, se relève et se projette de la pièce en direction de l'opérateur.

Lorsque la lame est pincée ou solidement coincée par la fermeture du plateau de découpe, elle cale et la réaction du moteur entraîne rapidement l'outil vers l'arrière, c'est-à-dire vers l'opérateur.

Si la lame est voilée ou mal alignée sur la découpe, les dents du bord arrière de la lame risquent de s'enfoncer dans la surface supérieure du bois, de sorte que la lame remonte du plateau de découpe et qu'elle saute vers l'arrière, c'est-à-dire vers l'opérateur.

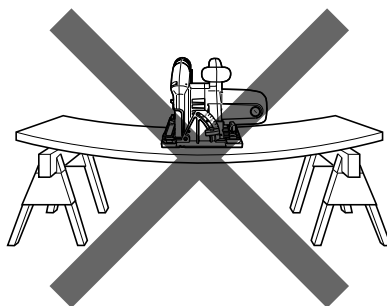
Le retour de lame est le résultat d'une mauvaise utilisation et/ou d'une procédure ou d'une opération de coupe incorrectes ; on pourra l'éviter en prenant les précautions suivantes :

12. Tenir la scie fermement, et placer le corps et le bras de façon à pouvoir résister aux forces du **RETOUR DE LAME**. S'il prend les précautions appropriées, l'opérateur pourra maîtriser les forces du **RETOUR DE LAME**.
13. Si la lame est voilée, ou si la coupe est interrompue pour une raison ou pour un autre, relâcher la gâchette et tenir la scie sans bouger dans le matériau jusqu'à ce que la lame arrive à un arrêt complet. Ne jamais tenter de retirer la scie du matériau ni tirer la scie vers l'arrière si la lame tourne ou qu'il risque de se produire un **RETOUR DE LAME**. Rechercher la cause du voilage de la lame et corriger le problème.
14. Lorsqu'on remet la scie en marche alors que la lame est enfoncée dans la pièce, centrer la lame sur le plateau de découpe et vérifier que les dents ne sont pas engagées dans le matériau. Si la lame est voilée, elle risque de se relever et de provoquer un **RETOUR DE LAME** lorsque la scie sera remise en marche.
15. **Soutenir les panneaux volumineux de façon à réduire les risques de pincement de la lame et de RETOUR DE LAME.** Les panneaux volumineux ont tendance à plier sous leur propre poids. Il faudra placer les supports sous le panneau, des deux côtés du panneau, près de la ligne de coupe et près du bord du panneau comme indiqué sur la Fig. 1. Pour réduire tout risque de pincement de la lame ou de retour de lame. Lorsqu'une opération de coupe nécessite que la scie repose sur la pièce, poser la scie sur le morceau le plus grand et couper le petit morceau.



Pour éviter tout retour de lame, soutenir la planche ou le panneau près de la ligne de coupe.

Fig. 1



Ne pas soutenir la planche ou le panneau loin de la ligne de coupe.

Fig. 2

16. **Ne pas utiliser de lame émoussée ou endommagée.** Une lame non affûtée ou incorrectement montée engendrera des traits de scie étroits, provoquant une friction excessive, un voilage de lame et un **RETOUR DE LAME**.

17. Les leviers de verrouillage de la profondeur de lame et de l'angle de biseau doivent être bien serrés et vissés à fond avant la coupe. Si le réglage de la lame change pendant la coupe, cela provoquera un voilage de lame et un RETOUR DE LAME.
18. Faire particulièrement attention lors d'une "coupe de poche" dans un mur existant ou tout autre endroit aveugle. La lame pourrait couper des objets, ce qui risque de provoquer un RETOUR DE LAME.
19. Tenir les outils par les surfaces de grippage lors de la réalisation d'opération où l'outil de coupe risque d'entrer en contact avec des câbles cachés ou son propre cordon. Un contact avec un fil "sous tension" mettra les parties métalliques de l'outil "sous tension" et électrocutera l'utilisateur.
20. Ne jamais toucher les parties mobiles.
Ne jamais placer ses mains, ses doigts ou toute autre partie de son corps près des parties mobiles de l'outil.
21. Ne jamais utiliser l'outil sans que tous les dispositifs de sécurité ne soient en place.
Ne jamais faire fonctionner cet outil sans que tous les dispositifs et caractéristiques de sécurité ne soient en place et en état de fonctionnement. Si un entretien ou une réparation nécessite le retrait d'un dispositif ou d'une caractéristique de sécurité, s'assurer de bien remettre en place le dispositif ou la caractéristique de sécurité avant de recommencer à utiliser l'outil.
22. Utiliser l'outil correct
Ne pas forcer sur un petit outil ou accessoire pour faire le travail d'un outil de grande puissance. Ne pas utiliser un outil pour un usage pour lequel il n'a pas été prévu: par exemple, ne pas utiliser une scie circulaire pour couper des branches d'arbre ou des bûches.
23. Ne jamais utiliser un outil motorisé pour des applications autres que celles spécifiées.
Ne jamais utiliser un outil motorisé pour des applications autres que celles spécifiées dans le mode d'emploi.
24. Manipuler l'outil correctement
Utiliser l'outil de la façon indiquée dans ce mode d'emploi. Ne pas laisser tomber ou lancer l'outil. Ne jamais permettre que l'outil soit utilisé par des enfants, des personnes non familiarisées avec son fonctionnement ou un personnel non autorisé.
25. Définitions pour les symboles
V volts
= courant continu
n_o vitesse à vide
---/min rotations ou mouvements de va-et-vient par minute
26. Maintenir toutes les vis, tous les boulons et les couvercles fermement en place.
Maintenir toutes les vis, tous les boulons et les couvercles fermement montés. Vérifier leurs conditions périodiquement.
27. Ne pas utiliser les outils motorisés si le revêtement de plastique ou la poignée est fendu.
Des fentes dans le revêtement ou la poignée peuvent entraîner une électrocution. De tels outils ne doivent pas être utilisés avant d'être réparés.
28. Les lames et les accessoires doivent être fermement montés sur l'outil.
Eviter les blessures potentielles personnelles et aux autres. Les lames, les instruments de coupe et les accessoires qui ont été montés sur l'outil doivent être fixés et serrés fermement.

29. Ne jamais utiliser un outil défectueux ou qui fonctionne anormalement.

Si l'outil n'a pas l'air de fonctionner normalement, fait des bruits étranges ou sans cela paraît défectueux, arrêter de l'utiliser immédiatement et le faire réparer par un centre de service Hitachi autorisé.

30. Manipuler l'outil motorisé avec précaution.

Si un outil motorisé tombe ou frappe un matériau dur accidentellement, il risque d'être déformé, fendu ou endommagé.

31. Ne pas essuyer les parties en plastique avec du solvant.

Les solvants comme l'essence, les diluants, la benzine, le tétrachlorure de carbone et l'alcool peuvent endommager et fissurer les parties en plastique. Ne pas les essuyer avec de tels solvants.

Essuyer les parties en plastique avec un chiffon doux légèrement imbibé d'une solution d'eau savonneuse et sécher minutieusement.

CONSIGNES DE SÉCURITÉ IMPORTANTES POUR L'UTILISATION DU SCIE CIRCULAIRE À BATTERIE

⚠ AVERTISSEMENT: Une utilisation incorrecte ou sans sécurité du scie circulaire à batterie risque d'entraîner la mort ou des blessures graves. Pour éviter ces risques, observer les consignes de sécurité élémentaires suivantes:

1. Porter des protections anti-bruit quand on utilise l'outil pendant une longue session de travail. Une exposition prolongée à un bruit de forte intensité risque d'endommager l'ouïe.
2. Ne jamais coincer ni attacher le carter de sécurité en position ouverte. Vérifier le bon fonctionnement du carter de sécurité avant chaque utilisation. Ne pas utiliser l'outil si le carter de sécurité ne se referme pas complètement sur la lame de scie.

⚠ PRECAUTION: Si la scie tombe, le carter de sécurité risque de se voiler, empêchant un retour complet.

3. Pour ce mode, la dimension des lames de scie devra être comprise entre 165 et 160 mm.
4. Ne jamais approcher les mains ni aucune autre partie du corps de la lame de scie pendant le fonctionnement. Tenir la scie circulaire uniquement par sa poignée.
5. La scie circulaire fonctionnant sur batterie, bien savoir qu'elle peut se déclencher à tout moment.
6. Toujours porter des lunettes de protection et des protection anti-bruit.
7. Lors d'un travail en hauteur, évacuer tout le monde de l'aire de travail et vérifier ce qu'il y a en-dessous.
8. Pour éviter toute perte de contrôle risquant d'entraîner des blessures, il est essentiel de bien soutenir la pièce et de tenir la scie fermement.
9. Faire attention aux retours de lame: Il se produit un retour de lame lorsque la scie cale brusquement et qu'elle revient vers l'opérateur. Relâcher immédiatement l'interrupteur si la lame se voile ou qu'elle cale.
 - Maintenir les lames bien affûtées.
 - Soutenir le panneau près de la position de coupe.
 - Utiliser le guide lors d'une refente.
 - Ne pas forcer sur l'outil.
 - Rester paré à toute éventualité.
 - Ne pas retirer la scie de la pièce pendant la coupe alors que la lame bouge.
10. Pendant le fonctionnement, tenir fermement le corps de l'outil.
11. Le voyant ne doit être allumé que pendant une opération de coupe. S'il est allumé dans les autres cas, l'interrupteur du corps de l'outil risque de se déclencher accidentellement, ce qui peut entraîner des accidents imprévus.

CONSIGNES DE SÉCURITÉ IMPORTANTES POUR LE CHARGEUR DE BATTERIE

1. Ce manuel renferme des consignes de sécurité et d'utilisation importantes pour le chargeur de batterie modèle UC 24YF.
2. Avant d'utiliser le chargeur de batterie, lire toutes les étiquettes d'instruction et de précaution apposées sur (1) le chargeur de batterie, (2) la batterie, et (3) le produit utilisant la batterie.
3. Pour réduire tout risque de blessure, NE recharger QUE les batteries rechargeables HITACHI utilisées dans le modèle series EB7, EB9, EB12, EB14, EB18 et EB24. Les autres types de batterie pourraient exploser et provoquer des blessures ou des dommages.
4. Ne pas exposer le chargeur à la pluie ni à la neige.
5. L'utilisation d'un accessoire non recommandé ou non vendu par le fabricant du chargeur de batterie risque de provoquer un feu, une décharge électrique ou des blessures.
6. Pour réduire tout risque de dommage de la fiche et du cordon électrique, débrancher le cordon du chargeur en tirant sur la fiche.
7. Vérifier que le cordon est placé de façon que personne ne puisse marcher dessus, se prendre les pieds dedans, ni l'endommager ou le soumettre à des contraintes.
8. Ne pas utiliser de cordon de rallonge si cela n'est pas absolument nécessaire. L'utilisation d'un cordon de rallonge incorrect pourrait entraîner un feu ou une décharge électrique. Si l'on doit utiliser un cordon de rallonge, s'assurer que:
 - a. Les broches de la rallonge ont les mêmes numéro, taille et forme que celles de la fiche du chargeur ;
 - b. Le cordon de rallonge est correctement raccordé et en bon état électrique ;
 - c. Le calibre du fil doit être au moins suffisant pour l'intensité nominale CA (ampères) du chargeur de batterie spécifiées dans le tableau ci-dessous.

TABLEAU 1
CALIBRE MINIMUM RECOMMANDÉ POUR LES CORDONS DE RALLONGE
DES CHARGEURS DE BATTERIE

| Intensité nominale d'entrée CA (ampères)* | | Calibre du cordon | | | |
|---|----------------------|--------------------------------------|---------|----------|----------|
| Egal ou supérieur à | mais non inférieur à | Longueur de cordon en pieds (mètres) | | | |
| | | 25 (7,5) | 50 (15) | 100 (30) | 150 (45) |
| 0 | 2 | 18 | 18 | 18 | 16 |
| 2 | 3 | 18 | 18 | 16 | 14 |
| 3 | 4 | 18 | 18 | 16 | 14 |

- * Si l'intensité nominale d'entrée du chargeur de batterie est donnée en watts et non en ampères, calculer la capacité en ampères correspondante en divisant la capacité en ampères par la capacité de tension, par exemple:

$$\frac{1250 \text{ watts}}{125 \text{ volts}} = 10 \text{ ampères}$$

9. Ne pas utiliser le chargeur si son cordon ou sa fiche sont endommagés - Le remplacer immédiatement.
10. Ne pas utiliser le chargeur s'il a reçu un coup, s'il est tombé ou endommagé de toute autre manière. L'apporter à un réparateur qualifié.
11. Ne pas démonter le chargeur ni le produit qui reçoit la batterie ; si un entretien ou des réparations sont nécessaires, les apporter à un réparateur qualifié. Un remontage incorrect pourrait provoquer une décharge électrique ou un feu.
12. Pour réduire tout risque de décharge électrique, débrancher le chargeur de la prise secteur avant tout entretien ou nettoyage. Il ne suffit pas de sortir la batterie.

CONSIGNES DE SÉCURITÉ IMPORTANTES POUR L'UTILISATION DE LA BATTERIE ET DU CHARGEUR DE BATTERIE

Pour pouvoir utiliser la scie circulaire à batterie, il faudra recharger la batterie. Avant d'utiliser le chargeur de batterie modèle UC 24YF, bien lire attentivement toutes les consignes et les avertissements signalés sur le chargeur, sur la batterie ou dans ce manuel. BIEN NOTER: UTILISER EXCLUSIVEMENT DES BATTERIES HITACHI DES SERIES EB7, EB9, EB12, EB14, EB18 ET EB24. LES AUTRES TYPES DE BATTERIE POURRAIENT EXPLOSER OU PROVOQUER DES BLESSURES.

Pour éviter tout risque de blessure, observer les consignes suivantes:

⚠ AVERTISSEMENT: Une utilisation incorrecte de la batterie ou du chargeur de batterie risque de provoquer des blessures. Pour éviter tout risque de blessure:

1. **NE JAMAIS** démonter la batterie.
2. **NE JAMAIS** jeter la batterie au feu, même si elle est endommagée ou complètement usée. La batterie risque d'exploser au feu.
3. **NE JAMAIS** court-circuiter la batterie.
4. **NE JAMAIS** insérer d'objets dans les ouïes d'aération du chargeur. Il pourrait en résulter un choc électrique ou des dommages du chargeur.
5. **NE JAMAIS** effectuer la recharge à l'extérieur. Eloigner la batterie des rayons directs du soleil et utiliser exclusivement dans des endroits à faible humidité et bien aérés.
6. **NE JAMAIS** effectuer la recharge si la température est inférieure à 32°F (0°C) ou supérieure à 104°F (40°C).
7. **NE JAMAIS** raccorder deux chargeurs de batterie ensemble.
8. **NE JAMAIS** insérer de corps étrangers dans l'orifice de la batterie ou du chargeur de batterie.
9. **NE JAMAIS** utiliser de transformateur-élévateur pour la recharge.
10. **NE JAMAIS** utiliser de générateur de moteur ni d'alimentation CC pour la recharge.
11. **NE JAMAIS** ranger la batterie ni le chargeur de batterie dans un lieu où la température peut atteindre ou dépasser 104°F (40°C).

12. **TOUJOURS** alimenter le chargeur sur une prise secteur domestique standard (120 volts). L'utilisation du chargeur à une autre tension peut entraîner une surchauffe et endommager le chargeur.
13. **TOUJOURS** attendre au moins 15 minutes entre deux recharges pour éviter toute surchauffe du chargeur.
14. **TOUJOURS** débrancher le cordon d'alimentation de la prise secteur lorsqu'on ne se sert pas du chargeur.

**CONSERVER CES INSTRUCTIONS
ET
LES METTRE A LA DISPOSITION
DES AUTRES UTILISATEURS
ET
PROPRIETAIRES DE CET OUTIL!**

DESCRIPTION FONCTIONNELLE

REMARQUE:

Les informations contenues dans ce mode d'emploi sont conçues pour assister l'utilisateur dans une utilisation sans danger et un entretien de l'outil motorisé.

NE JAMAIS utiliser ni entreprendre une révision de l'outil sans avoir d'abord lu et compris toutes les instructions de sécurité contenues dans ce manuel.

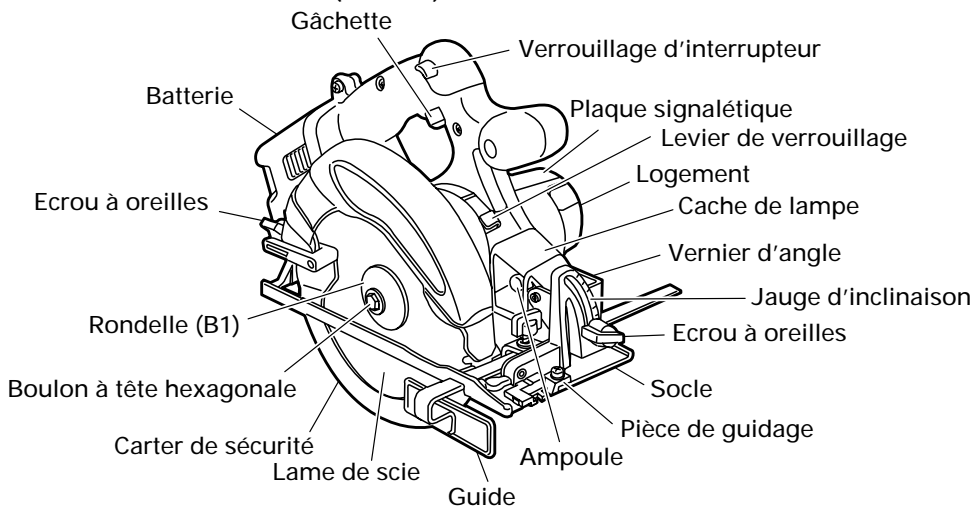
Certaines illustrations dans ce mode d'emploi peuvent montrer des détails ou des accessoires différents de ceux de l'outil motorisé utilisé.

MODELE

C 6DC2 (BFK): avec chargeur et coffret.

NOM DES PARTIES

1. Scie Circulaire à batterie (C 6DC2)



○ Batterie (EB1820 ou EB18B)

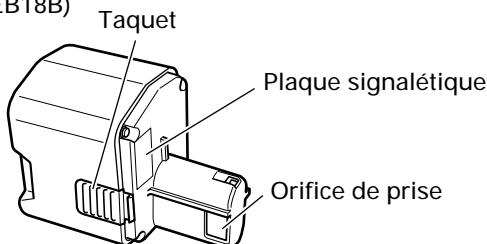


Fig. 3

2. Chargeur de batterie (UC24YFA ou UC 24YF)

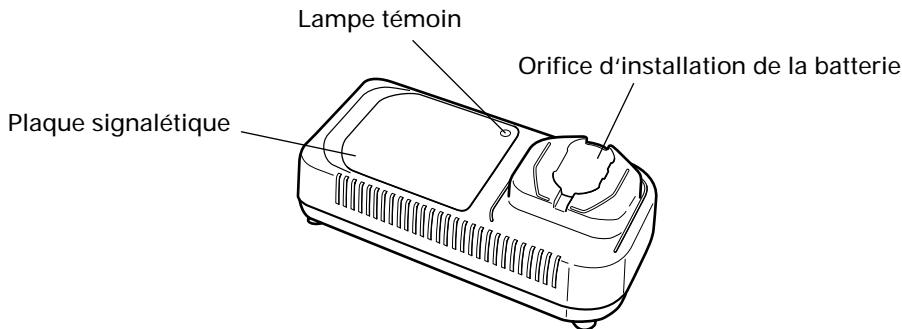


Fig. 4

SPECIFICATIONS

1. Scie Circulaire à batterie (C 6DC2)

| | |
|--------------------------|---|
| Moteur | Moteur CC |
| Vitesse à vide | 3400/min. |
| Profondeur max. de coupe | 2-1/4" (57 mm) |
| Dimension de la lame | 6-1/2" (165 mm) D × 5/8" (15,9 mm) H × 1/16" (1,6 mm) T |
| Batterie (EB1820) | Batterie au nickel-cadmium Tension CC 18 V Fréquence de recharge et décharge environ 1000 |
| Ampoule | 12V, 5W |
| Poids | 7,3 lbs (3,3 kg) |

2. Chargeur de batterie

| Modèle | UC24YFA | UC24YF |
|--------------------------------|--|----------------|
| Source d'alimentation d'entrée | Monophasée: CA 120 V 60 Hz | |
| Durée de recharge | Environ 50min. (à une température de 68°F (20°C)) | Environ 60min. |
| Tension de charge | CC 7,2 – 24V | |
| Courant de charge | CC 2,5A | CC 2,1A |
| Poids | 1,3 lbs (0,6 kg) | 2,2 lbs (1 kg) |

REMARQUE: La durée de recharge peut varier en fonction de la température et de la tension de la source d'alimentation.

ASSEMBLAGE ET FONCTIONNEMENT

UTILISATIONS

- Coupe de divers types de bois

MÉTHODE DE RETRAIT ET D'INSTALLATION DE LA BATTERIE

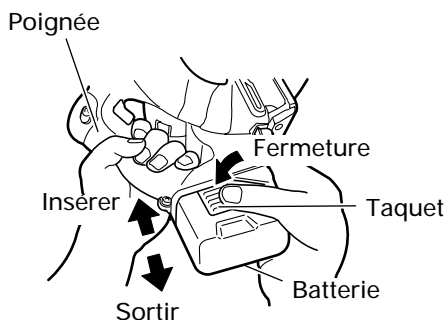


Fig. 5

- Installation de la batterie
Aligner la batterie sur la fente de la poignée de l'outil et la glisser à l'intérieur. Toujours insérer la batterie à fond, jusqu'à ce qu'elle se bloque avec un petit déclic. Sinon, elle risque de tomber accidentellement de l'outil et de blesser l'opérateur ou d'autres personnes alentour. (Fig. 5)
- Retrait de la batterie
Sortir la batterie de la queue de l'outil tout en appuyant sur les taquet de chaque côté de la batterie. (Fig. 5)

MÉTHODE DE RECHARGE

Remarque:

Avant de brancher le chargeur dans la prise, vérifier les points suivants:

- La tension de la source d'alimentation est indiquée sur la plaque signalétique.
- Le cordon n'est pas endommagé.

⚠ AVERTISSEMENT: Ne pas effectuer de recharge à une tension supérieure à la tension indiquée sur la plaque signalétique. Cela brûlerait le chargeur.

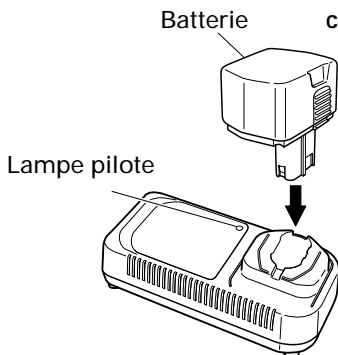


Fig. 6

1. Brancher la fiche du chargeur de batterie dans la prise.
Quand la fiche du chargeur de batterie est branchée dans la prise, le voyant de recharge clignote lentement en rouge. (A intervalles d'une seconde)

⚠ AVERTISSEMENT:
Ne pas utiliser le cordon électrique s'il est endommagé. Le faire réparer immédiatement.

- Insérer la batterie dans le chargeur de batterie.
Insérer la batterie dans le chargeur de batterie comme indiqué à la Fig. 6. Bien s'assurer qu'elle touche le fond du chargeur de batterie.

⚠ PRECAUTION:

- Si la batterie est insérée à l'envers, non seulement la recharge sera impossible, mais cela peut également provoquer des problèmes dans le chargeur, par exemple une borne de recharge déformée.

- Recharge

Quand la batterie est raccordée au chargeur de batterie, la recharge commence et la lampe témoin s'allume en rouge. (Voir le Tableau 2)

REMARQUE:






Si la lampe témoin clignote en rouge, débrancher la fiche de la prise et vérifier si la batterie est insérée correctement.

Quand la batterie est rechargée à fond, la lampe témoin clignote lentement en rouge. (A intervalles d'une seconde) (Voir le Tableau 2.)

- Indication de la lampe témoin

Les indications de la lampe témoin sont expliquées dans le Tableau 2, selon la condition du chargeur ou de la batterie rechargeable.

Tableau 2

| Indications de la lampe témoin | | | |
|--------------------------------|-------------------|--|---|
| Avant la recharge | Clignote (ROUGE) | S'allume pendant 0,5 seconde. Ne s'allume pas pendant 0,5 seconde. (Eteint pendant 0,5 seconde)  | / |
| Pendant la recharge | S'allume (ROUGE) | S'allume sans interruption  | |
| Recharge terminée | Clignote (ROUGE) | S'allume pendant 0,5 seconde. Ne s'allume pas pendant 0,5 seconde. (Eteint pendant 0,5 seconde)  | |
| Recharge impossible | Scintille (ROUGE) | S'allume pendant 0,1 seconde. Ne s'allume pas pendant 0,1 seconde. (Eteint pendant 0,1 seconde)  | Anomalie de la batterie ou du chargeur |
| Recharge impossible | S'allume (VERTE) | S'allume sans interruption  | La température de la batterie est élevée et la recharge est impossible. |

(2) Température admissible d'une batterie rechargeable

La température admissible des batteries rechargeables est indiquée dans le tableau ci-dessous, et les batteries qui ont chauffé devront être laissées à refroidir pendant quelque temps avant de pouvoir être rechargées.

Tableau 3 Recharge de batteries qui ont chauffé

| Batteries rechargeables | Température à laquelle la batterie peut être rechargée |
|-------------------------|--|
| EB1820, EB18B | 23°F — 140°F (-5°C — 60°C) |

4. Débrancher le chargeur de batterie de la prise.

⚠ PRECAUTION:

Ne pas débrancher la fiche de la prise en tirant sur le cordon.

Pour éviter tout dommage lorsqu'on débranche la fiche de la prise, bien tenir la fiche proprement dite.

5. Retirer la batterie du chargeur de batterie.

Sortir la batterie du chargeur tout en la soutenant de la main.

⚠ PRECAUTION:

- Si le chargeur a fonctionné pendant longtemps de suite, il sera chaud, ce qui risque de provoquer des pannes. Lorsque la recharge est terminée, laisser le chargeur refroidir pendant environ 15 minutes avant de passer à la recharge suivante.
- Si l'on recharge la batterie lorsqu'elle est chaude, soit parce qu'elle vient de fonctionner, soit parce qu'elle est en plein soleil, il se peut que la lampe témoin s'allume en vert. La batterie ne se rechargera pas. Dans ce cas, laisser la batterie refroidir avant de la recharger.
- Si la lampe témoin scintille rapidement en rouge (à intervalles de 0,2 seconde), vérifier s'il y a des corps étrangers dans l'orifice d'installation de la batterie du chargeur, et les enlever le cas échéant. S'il n'y a pas de corps étrangers, il s'agit probablement d'une anomalie de la batterie ou du chargeur. Les porter au service après-vente agréé.

En ce qui concerne le courant de décharge d'une batterie neuve

Etant donnée que les substances chimiques internes sont restées inactives dans le cas des batteries neuves ou des batteries qui sont restées longtemps inutilisées, le courant de décharge risque d'être très faible lors des première et deuxième utilisations. Ce phénomène est temporaire et le temps de recharge normal sera rétabli quand les batteries auront été rechargées 2 ou 3 fois.

Comment prolonger la durée de vie des batteries

(1) Recharger les batteries avant qu'elles ne soient complètement épuisées.

Quand la puissance de l'outil utilisé faiblit, l'éteindre et recharger la batterie. Si l'outil continue d'être utilisé jusqu'à épuisement du courant électrique, la batterie risque d'être endommagée et sa durée de vie se raccourcira.

- (2) Eviter d'effectuer la recharge sous des températures élevées.

Une batterie est toujours chaude immédiatement après son utilisation. Si la batterie est rechargée immédiatement après utilisation, les substances chimiques internes risquent de se détériorer et la durée de vie de la batterie se raccourcira. Laisser la batterie refroidir un moment avant de l'utiliser.

AVANT L'UTILISATION

1. Vérifier l'aire de travail.

Vérifier l'aire de travail pour s'assurer qu'il n'y a ni débris ni désordre.

Evacuer l'aire de travail des personnes non autorisées. S'assurer que l'éclairage et la ventilation sont adéquats.

2. Vérifier si la lame de scie est bien fixée.

Lorsque la lame de scie quitte nos usines, elle est solidement fixée et prête à fonctionner. Toutefois, à des fins de sécurité, la vérifier encore une fois avant l'utilisation. Il y a un boulon avec rondelle qui se visse dans le sens des aiguilles d'une montre. Vérifier qu'il est bien serré avec la clé à douille fournie.

Pour les détails, voir la section [MONTAGE ET DÉMONTAGE DE LA LAME DE SCIE], page 51.

3. Vérifier si l'écrou à oreilles est bien vissé.

Si l'écrou à oreilles qui permet de régler la profondeur de coupe (Fig. 8) est mal vissé, il y a risque de blessure. Bien vérifier qu'il est vissé à fond.

4. Vérifier le bon fonctionnement du carter de sécurité

⚠ AVERTISSEMENT: Il faudra impérativement vérifier que le carter de sécurité n'est pas fixé. Par ailleurs, vérifier également qu'il se déplace en douceur. Si la lame de scie reste exposée, il y a risque de blessure.

Le carter de sécurité (voir Fig. 3) sert à protéger le corps de l'opérateur de tout contact avec la lame de scie. Vérifier impérativement que le carter de sécurité fonctionne de façon que la lame de scie soit toujours couverte. Si le carter de sécurité ne fonctionne pas en douceur, ne jamais utiliser l'outil sans avoir réparé le carter.

Dans ce cas, contacter le magasin où l'on a acheté la scie circulaire ou un service après-vente HITACHI agréé pour le faire réparer.

5. Vérifier l'insertion de la batterie.

⚠ AVERTISSEMENT: Si l'on insère la batterie alors que l'interrupteur se trouve à la position ON (marche), l'outil risque de démarrer immédiatement et de provoquer un grave accident.

⚠ PRECAUTION: Enfoncer la batterie jusqu'à ce qu'elle se mette en place dans un petit déclic. Sinon, elle risque de tomber accidentellement de l'outil et de blesser l'opérateur ou les personnes alentour.

6. Vérifier le bon fonctionnement du frein.

La scie circulaire possède un frein électrique qui se déclenche lorsqu'on relâche l'interrupteur. Avant d'utiliser la scie, bien s'assurer que le frein électrique fonctionne correctement. S'il ne fonctionne pas correctement, apporter l'outil à un service après-vente HITACHI agréé.

7. Préparer un établi de travail en bois (Fig. 7).

La lame de scie se déplaçant au-delà de la surface inférieure du matériau, placer le matériau sur un établi en bois pour effectuer la coupe. Si l'on utilise un bloc carré comme établi de travail, sélectionner un sol de niveau pour bien stabiliser le travail. Un établi de travail instable risque de rendre le travail dangereux.

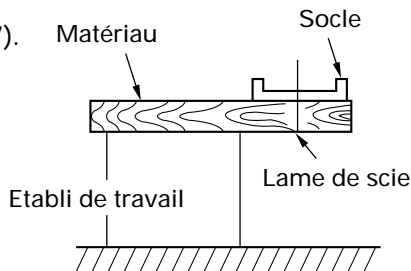


Fig. 7

⚠ PRECAUTION:

Pour éviter tout risque d'accident, toujours s'assurer que la section du matériau qui reste après la coupe est solidement ancrée ou maintenue en place.

RÉGLAGE DE LA SCIE AVANT L'UTILISATION

1. Réglage de la profondeur de coupe (Fig. 8)

⚠ AVERTISSEMENT:

Si l'écrou à oreilles est lâche, il y a risque de blessure. Le serrer à fond après le réglage.

Pour régler la profondeur de coupe, desserrer l'écrou à oreilles et, tout en tenant le socle de l'outil d'une main, déplacer l'outil de haut en bas de façon à obtenir la profondeur de coupe spécifiée. Lorsque le réglage de la profondeur de coupe est terminé, resserrer l'écrou à oreilles à fond.

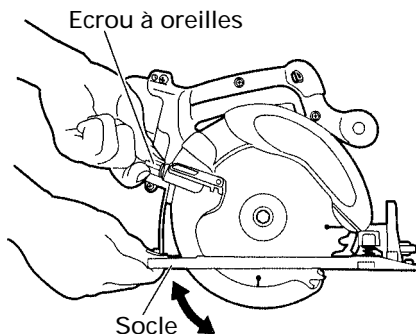


Fig. 8

2. Réglage de l'angle d'inclinaison

⚠ AVERTISSEMENT:

Si l'écrou à oreilles est lâche, il y a risque de blessure. Le serrer à fond après le réglage.

Comme indiqué à la Fig. 9, desserrer l'écrou à oreilles de la jauge d'inclinaison pour incliner la lame de scie d'un angle de 47° maximum par rapport au socle.

Toujours revisser l'écrou à oreilles à fond une fois le réglage terminé.

REMARQUE:

Les valeurs indiquées sur la jauge d'inclinaison du socle ne donnent qu'une indication approximative. Pour effectuer une coupe en position inclinée, utiliser la scie circulaire après avoir réglé l'angle formé par le socle et la lame de scie avec un rapporteur, etc.

3. Réglage de la pièce de guidage

Sur la scie circulaire, il est possible de régler avec précision la position de fixation de l'emplacement de guidage, là où la lame de scie et une ligne prémarquée doivent être alignées.

Lorsque l'outil quitte nos usines, la section linéaire de l'échelle avant, sur la pièce de guidage, est alignée sur la position centrale de la lame de scie. (Fig. 10)

Desserrer la vis de la pièce de guidage si l'emplacement de fixation est incorrect, et régler l'emplacement selon les besoins. (Fig. 11)

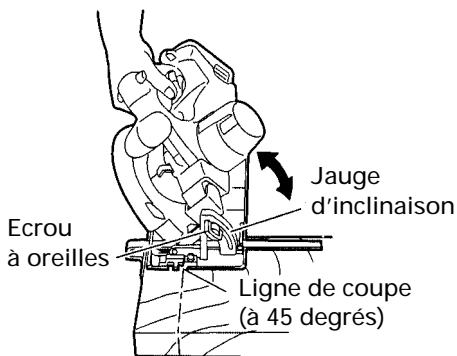


Fig. 9

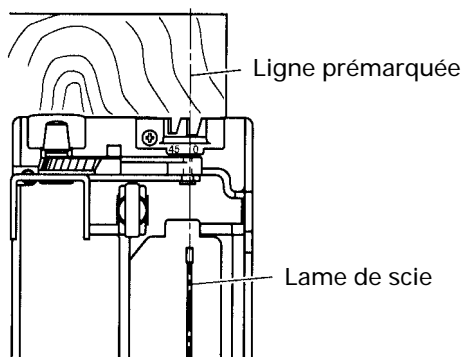


Fig. 10

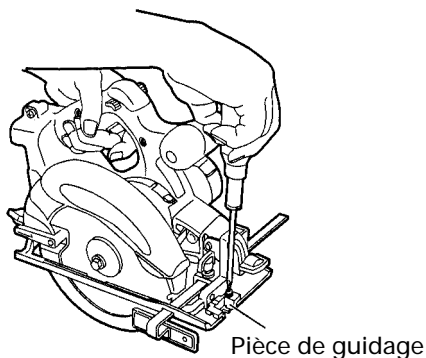


Fig. 11

4. Réglage du guide (Fig. 12)

Il est possible de régler la position de coupe en déplaçant le guide vers la gauche ou vers la droite après avoir desserré son boulon à oreilles. Le guide peut être placé sur la droite ou sur la gauche de l'outil.

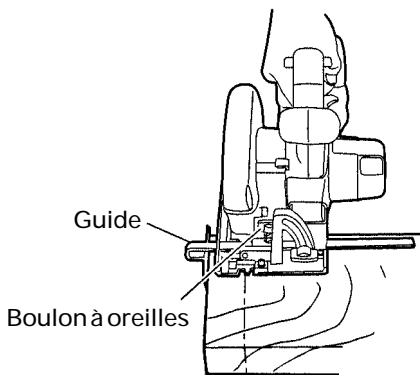


Fig. 12

UTILISATION

⚠ AVERTISSEMENT:

- Ne jamais toucher les pièces mobiles.
- Ne jamais faire fonctionner la scie circulaire avec la lame de scie orientée vers le haut ou sur le côté.
- Ne pas fixer ni attacher le verrouillage de l'interrupteur. Par ailleurs, retirer le doigt de la gâchette pendant le transport de la scie circulaire. L'interrupteur du corps principal pourrait se déclencher (ON) accidentellement et provoquer un accident imprévu.
- Le voyant ne doit être allumé que pendant une opération de coupe. S'il est allumé dans les autres cas, l'interrupteur du corps de l'outil risque de se déclencher accidentellement, ce qui peut entraîner des accidents imprévus.

⚠ PRECAUTION:

- Ne pas enlever la lame de la pièce pendant la coupe alors que la lame tourne.
- Sortir la batterie lorsque le travail est terminé.

REMARQUE:

Faire attention à ne pas bloquer le moteur. Si le moteur se bloque, arrêter immédiatement l'outil. Si le moteur reste bloqué pendant un certain temps, le moteur ou la batterie risquent de brûler.

1. Fonctionnement de l'interrupteur (gâchette et interrupteur d'éclairage)

(1) Pour utiliser l'outil en toute sécurité, un verrouillage d'interrupteur a été prévu sur le côté de la poignée.

Si l'on tire sur le "verrouillage d'interrupteur" alors qu'il est enfoncé dans le sens de la flèche, il est possible d'actionner l'interrupteur principal.

Le "verrouillage d'interrupteur" sert également d'"interrupteur d'éclairage". Si l'on tire sur le "verrouillage d'interrupteur (interrupteur d'éclairage)", la lampe s'allume.

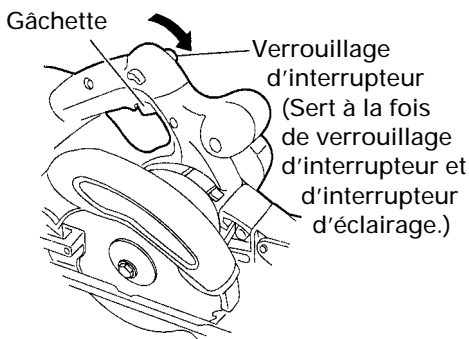


Fig. 13

- (2) Après avoir déclenché (ON) l'interrupteur, l'outil continue à fonctionner et la lampe reste allumée même si l'on retire la main du verrouillage d'interrupteur, tant que l'on continue à tirer sur la gâchette.
- (3) Si l'on relâche la gâchette, l'interrupteur se coupe et le "verrouillage d'interrupteur" revient automatiquement à sa position d'origine et la lampe s'éteint.

2. Performances de travail pour une recharge (données de référence)

- La capacité de coupe varie en fonction de l'état du matériau, du type de la lame de scie, de la température ambiante, des caractéristiques de la batterie, etc.

| Bois | Capacité |
|---------------------------------------|---------------|
| 2 x 8 (épicéa/pin/sapin) | 80 (coupes) |
| Contreplaqué aggloméré (1/2" (12 mm)) | 100 ft (30 m) |

Pour améliorer le rendement par recharge,

- Minimiser l'utilisation (fonctionnement à vide) autre que la coupe .
- Eviter d'exercer une force excessive sur le moteur pendant la coupe en torsadant la lame ou en appuyant trop fort dessus.
- Eviter d'utiliser une lame émoussée.

3. Méthodes de coupe

⚠ PRECAUTION:

- Vérifier une nouvelle fois que la lame de scie et bien solidement fixée.
- Vérifier que l'écrou à oreilles qui permet de régler la profondeur de la fente et l'écrou à oreilles qui permet de l'angle d'inclinaison sont bien fixés.

- (1) Placer le socle sur le matériau, puis aligner la ligne prémarquée et la lame de scie avec la section avant de la pièce de guidage, sur le devant du socle. (Fig. 14)
- (2) Lorsque le socle n'est pas incliné, utiliser la grosse découpe comme pièce de guidage. (Fig. 14 et 15).
Si le socle est incliné (45 degrés), utiliser la petite découpe comme pièce de guidage. (Fig. 14 et 16).

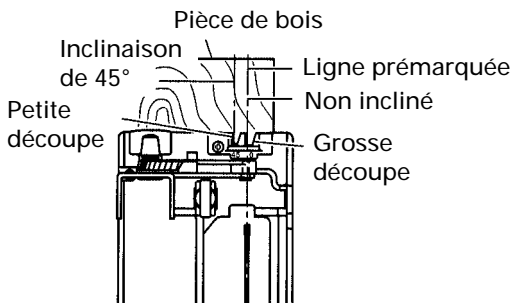


Fig. 14 (Vue supérieure)

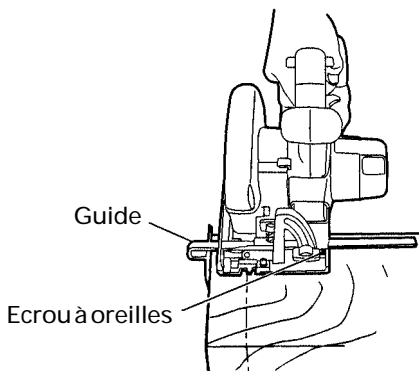


Fig. 15 Non incliné

REMARQUE:

Lorsque l'on utilise la scie à une inclinaison de 45 degrés, utiliser les deux repères de [45 degrés] de la jauge d'inclinaison du socle. (Fig. 17)

De plus, s'il est absolument essentiel d'utiliser la scie à un angle précis, effectuer le réglage à l'aide d'un rapporteur, etc.

- (3) Vérifier que l'interrupteur est tourné sur la position ON (marche) avant que la lame de scie n'entre en contact avec le bois. L'interrupteur se déclenche (ON) quand on appuie sur la gâchette, et il se coupe quand on relâche la gâchette. Déplacer la scie en ligne droite et à vitesse constante pour obtenir le meilleur rendement de coupe possible.

⚠ PRECAUTION:

- Avant de mettre la scie en marche, bien s'assurer que la lame de scie a atteint sa vitesse de régime.
- Si la lame de scie s'arrête ou qu'elle fait un bruit anormal pendant le fonctionnement, couper immédiatement l'interrupteur.
- Lorsque le travail est terminé, sortir la batterie du corps principal.
- Eviter de tordre ou d'appuyer trop fort sur la lame pendant la coupe car cela exercerait une force excessive sur le moteur. Travailler en droite ligne et sans hâte.
- Si la scie circulaire fonctionne de façon continue, les batteries étant remplacées au fur et à mesure par des batteries de recharge, le moteur aura tendance à surchauffer. Quand le logement devient chaud, laisser l'outil reposer quelque temps.
- Ne pas effectuer de coupe si le fond du socle n'est pas bien à plat sur le matériau. Le moteur pourrait se bloquer.

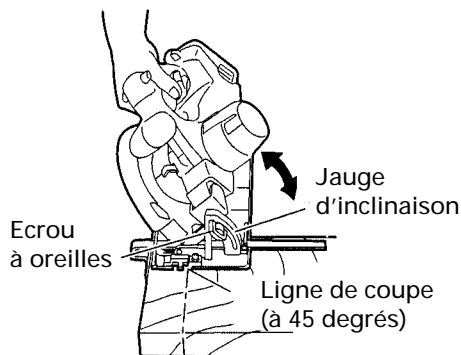


Fig. 16

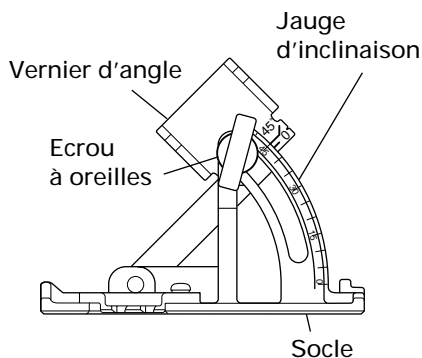


Fig. 17

MONTAGE ET DÉMONTAGE DE LA LAME DE SCIE

⚠ PRECAUTION:

Pour éviter tout risque d'accident grave, vérifier que l'interrupteur se trouve à la position OFF (arrêt), et sortir la batterie.

1. Démontage de la lame

- (1) Régler le volume de coupe au maximum, et placer la scie circulaire comme indiqué à la Fig. 18.
- (2) Appuyez sur le levier de verrouillage, verrouiller l'arbre, et retirer le boulon à tête hexagonale et la rondelle (B1) à l'aide de la clé à douille.
- (3) Tout en tenant le levier du carter de sécurité pour maintenir le carter de sécurité complètement rentré dans le carter de la scie, retirer la lame de scie. (Fig. 19)

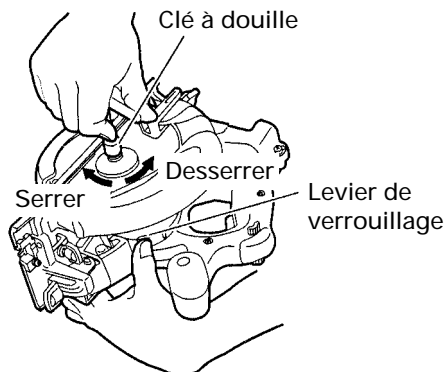


Fig. 18

2. Montage de la lame de scie (Fig. 20)

⚠ AVERTISSEMENT:

Si l'on manipule les boulons et les rondelles avec des outils autres que la clé à douille fournie, on risque d'obtenir un serrage excessif ou insuffisant, ce qui pourrait provoquer des blessures.

- Procéder dans l'ordre inverse de la méthode de montage.

REMARQUE:

- Bien retirer toute la sciure qui s'est accumulée sur l'arbre, le boulon et les rondelles.
- Pour garantir un sens de rotation correct de la lame de scie, le sens de la flèche de la lame de scie doit correspondre à celui du carter de la scie.
- Avec les doigts, serrer le boulon à tête hexagonale qui fixe la lame de scie au maximum. Puis, appuyer sur le levier de verrouillage, verrouiller l'arbre et serrer le boulon à fond.

⚠ PRECAUTION:

Après avoir fixé la lame de scie, vérifier une nouvelle fois que le levier de verrouillage est bien fixé à fond à la position spécifiée.

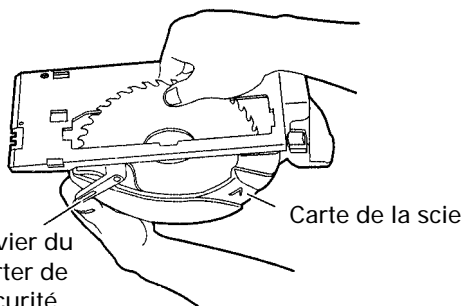


Fig. 19

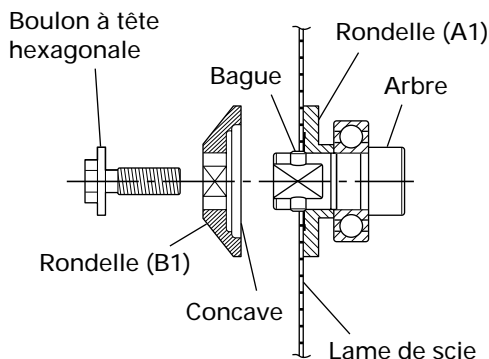


Fig. 20

REPLACEMENT DES AMPOULES DE LAMPE

⚠ AVERTISSEMENT:

- Avant de remplacer l'ampoule de la lampe, vérifier impérativement que la batterie est sortie du corps principal.
- Quand on éteint la lampe, l'ampoule reste encore chaude quelque temps. Bien laisser refroidir l'ampoule avant de la remplacer, de façon à ne pas se brûler.

⚠ PRECAUTION:

Pour le remplacement de l'ampoule, vérifier la forme de la douille de l'ampoule ainsi que ses spécifications (12 V, 5 W), puis effectuer le montage parfaitement. Sinon, l'ampoule risque de se détacher et/ou de provoquer une surchauffe.

1. Retrait de l'ampoule

- (1) Retirer la section convexe du couvercle de la lampe de la section concave du logement, puis sortir le couvercle de lampe en tirant dessus dans le sens de la flèche, comme indiqué à la Fig. 21.
- (2) Appuyez sur le dos de la douille et retirer la douille et l'ampoule en même temps du logement. (Fig. 22)
- (3) Retirer l'ampoule de la douille. (Fig. 23)

2. Fixation de l'ampoule

Procéder dans l'ordre inverse de la méthode de montage.

REMARQUE:

- Pour fixer l'ampoule dans la douille, insérer l'ampoule jusqu'à ce qu'elle touche la douille.
- Pour fixer la douille au logement, aligner la douille sur l'orifice du logement tout en regardant le dos de la douille comme indiqué à la Fig. 23, puis insérer la douille jusqu'à ce qu'elle touche légèrement le logement.

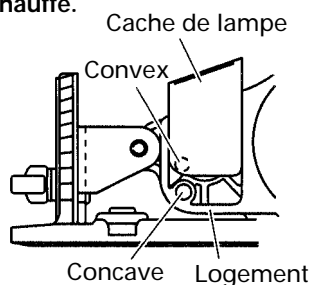


Fig. 21 (Vue latérale)

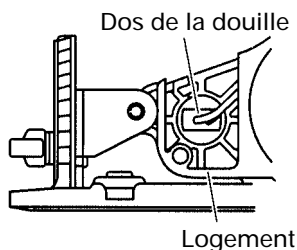


Fig. 22

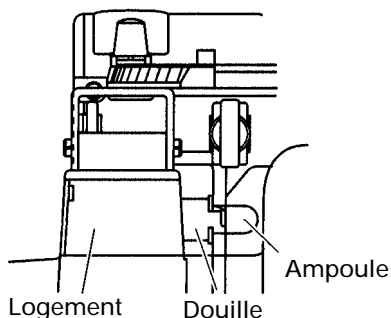


Fig. 23 (Vue du haut)

ENTRETIEN ET INSPECTION

⚠ PRECAUTION: Sortir la batterie avant toute opération d'inspection ou d'entretien.

1. Inspection de la lame de scie

L'utilisation d'une lame émoussée affectant le rendement et risquant de provoquer un mauvais fonctionnement du moteur, affûter ou remplacer la lame dès que l'on constate une abrasion.

⚠ PRECAUTION:

Avec une lame émoussée, la force de réaction augmente pendant la coupe. Eviter d'utiliser une lame émoussée sans la réparer.

2. Vérifier les vis de fixation.

Des vis mal serrées sont dangereuses. Les inspecter régulièrement et vérifier qu'elles sont serrées à fond.

⚠ PRECAUTION: Il serait extrêmement dangereux d'utiliser cet outil électrique avec des vis mal serrées.

3. Vérification des performances et entretien du carter de protection

Maintenir le carter de protection en bon état pour garantir constamment des performances régulières. Faire immédiatement réparer l'outil en cas de mauvais fonctionnement.

4. Réglage du socle et de la lame de scie en vue de la perpendicularité

L'angle formé par le socle et la lame de scie a été réglé en usine sur 90°; si cette perpendicularité se trouve perturbée pour une raison ou pour une autre, la régler en procédant comme suit.

(1) Retourner le socle (Fig. 24) et desserrer l'écrou à oreilles.

(2) Placer une équerre entre le socle et la lame de scie et déplacer la position du socle en tournant la vis de fixation fendue avec un tournevis à lame plate de façon à obtenir un angle droit.

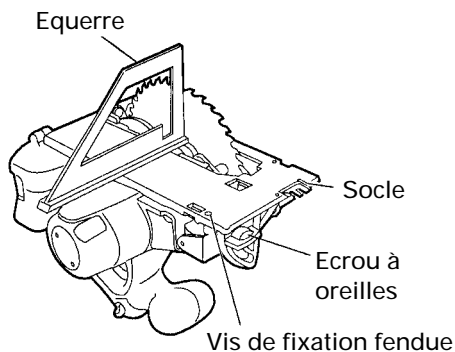


Fig. 24

5. Vérifier s'il y a de la poussière.

Enlever la poussière avec un chiffon doux ou un chiffon humecté d'eau savonneuse. Ne pas utiliser de décolorant, chlorure, essence ou diluant, car ces produits pourraient endommager le plastique.

6. Mise au rebut d'une batterie usée

⚠ AVERTISSEMENT: Ne pas jeter la batterie usée aux ordures ménagères. La batterie risque d'exploser si elle est incinérée. L'appareil que vous avez acheté renferme une batterie rechargeable. La batterie est recyclable. Lorsqu'elle a atteint sa limite de service, selon les lois des états et les lois locales, il peut être illégal de jeter cette batterie aux ordures ménagères. Vérifier auprès de son service de ramassage d'ordures les options de recyclage et la procédure correcte de mise au rebut.

7. Rangement

Ranger dans un lieu dont la température est inférieure à 104°F (40°C), et hors de portée des enfants.

8. Entretien et réparation

Tous les outils motorisés de qualité auront éventuellement besoin d'une réparation ou du remplacement d'une pièce à cause de l'usure normale de l'outil. Pour assurer que seules des pièces de rechange autorisées seront utilisées, tous les entretiens et les réparations doivent être effectués uniquement par UN CENTRE DE SERVICE HITACHI AUTORISE.

INFORMACIÓN IMPORTANTE SOBRE SEGURIDAD

Antes de utilizar o de realizar cualquier trabajo de mantenimiento de esta herramienta eléctrica, lea y comprenda todas las precauciones de seguridad, advertencias e instrucciones de funcionamiento de este Manual de instrucciones.

La mayoría de los accidentes producidos en la operación y el mantenimiento de una herramienta eléctrica se deben a la falta de observación de las normas o precauciones de seguridad. Los accidentes normalmente podrán evitarse reconociendo una situación potencialmente peligrosa a tiempo y siguiendo los procedimientos de seguridad apropiados.

Las precauciones básicas de seguridad se describen en la sección "SEGURIDAD" de este Manual de instrucciones y en las secciones que contienen las instrucciones de operación y mantenimiento.

Para evitar lesiones o el daño de la herramienta eléctrica, los riesgos están identificados con ADVERTENCIAS en dicha herramienta y en este Manual de instrucciones.

No utilice **NUNCA** esta herramienta eléctrica de ninguna forma que no esté específicamente recomendada por HITACHI.

SIGNIFICADO DE LAS PALABRAS DE SEÑALIZACIÓN

ADVERTENCIA indica situaciones potencialmente peligrosas que, si se ignoran, pueden resultar en la muerte o en lesiones de gravedad.

PRECAUCIÓN indica situaciones potencialmente peligrosas que, de no evitarse, pueden resultar en lesiones menores o moderadas, o causar daños en la herramienta eléctrica.

NOTA acentúa información esencial.

SEGURIDAD

NORMAS GENERALES DE SEGURIDAD – PARA TODAS LAS HERRAMIENTAS ALIMENTADAS CON BATERÍA

⚠ ADVERTENCIA: Lea y entienda todas las instrucciones.
Si no sigue las instrucciones indicadas a continuación, pueden producirse descargas eléctricas, incendios, y/o lesiones serias.

GUARDE ESTAS INSTRUCCIONES.

1. Área de trabajo

- (1) **Mantenga el área de trabajo limpia y bien iluminada.** Los bancos de trabajo desordenados y las áreas oscuras pueden conducir a accidentes.
- (2) **No utilice la herramienta en atmósferas explosivas, como en presencia de líquidos inflamables, gases, o polvo.** La herramienta eléctrica crea chispas que pueden incendiar polvo o gases.
- (3) **Mantenga alejadas a otras personas, niños o visitantes, cuando utilice la herramienta eléctrica.** Las distracciones pueden hacer que pierda el control de la herramienta.

2. Seguridad eléctrica

- (1) **La batería, integrada o externa de una herramienta alimentada con batería deberá recargarse solamente con el cargador especificado para la misma.**
Un cargador adecuado para cierto tipo de batería puede crear el riesgo de incendios si se utiliza con otro tipo de batería.
- (2) **Utilice la herramienta solamente con la batería específicamente diseñada para ella.**
La utilización de otras baterías podría crear el riesgo de incendios.

3. Seguridad personal

- (1) **Esté siempre alerta y utilice el sentido común cuando utilice la herramienta eléctrica.**
No utilice la herramienta cuando esté cansado o bajo la influencia de medicamentos ni de alcohol. Un descuido al utilizar la herramienta eléctrica puede resultar en una lesión seria.
- (2) **Vístase adecuadamente. No utilice ropa floja ni joyas. Si tiene pelo largo, recójase.**
Mantenga su pelo, ropa, y guantes alejados de las partes móviles. La ropa floja, las joyas, o el pelo largo pueden engancharse en las partes móviles.
- (3) **Evite la puesta en marcha accidental. Cerciórese de que la alimentación de la herramienta eléctrica esté desconectada antes de enchufarla en una toma de la red.**
Si lleva la herramienta eléctrica con el dedo colocado en el interruptor, o si la enchufa con dicho interruptor cerrado, es posible que se produzcan accidentes.
- (4) **Quite las llaves de ajuste y abra los interruptores antes de poner en funcionamiento la herramienta.** Una llave dejada en una parte móvil de la herramienta podría resultar en lesiones.
- (5) **No sobrepase su alcance. Mantenga en todo momento un buen equilibrio.** El conservar en todo momento el equilibrio le permitirá controlar mejor la herramienta en situaciones inesperadas.
- (6) **Utilice equipos de seguridad. Póngase siempre gafas protectoras.** Para conseguir las condiciones apropiadas, utilice una mascarilla contra el polvo, zapatos no resbaladizos, un casco duro, y tapones para los oídos.

4. Utilización y cuidados de la herramienta

- (1) **Utilice abrazaderas u otra forma práctica de asegurar y sujetar la pieza de trabajo sobre una plataforma estable.** La sujeción de la pieza de trabajo con la mano o contra su cuerpo puede ser inestable y conducir a la pérdida del control.
- (2) **No fuerce la herramienta. Utilice la herramienta correcta para su aplicación.** Con la herramienta correcta realizará mejor el trabajo y ésta será más segura para la velocidad para la que ha sido diseñada.
- (3) **No utilice la herramienta si el interruptor de alimentación de la misma no funciona.** Cualquier herramienta que no pueda controlarse con el interruptor de alimentación puede resultar peligrosa, y deberá repararse.
- (4) **Desconecte la batería de la herramienta o coloque el interruptor en la posición de bloqueo, o en la desconexión, antes de realizar cualquier ajuste, cambiar accesorios, o guardar la herramienta.** Tales medidas preventivas de seguridad reducirán el riesgo de que la herramienta se ponga accidentalmente en funcionamiento.
- (5) **Guarde las herramientas que no vaya a utilizar fuera del alcance de niños y de otras personas no entrenadas.** Las herramientas son peligrosas en manos de personas inexpertas.
- (6) **Cuando no vaya a utilizar la batería, guárdela alejada de objetos metálicos: sujetapapeles, monedas, llaves, puntas, y demás objetos metálicos pequeños que puedan cortocircuitar los terminales.**
El cortocircuito de los terminales podría crear el riesgo de incendios.
- (7) **Realice el mantenimiento cuidadoso de las herramientas. Mantenga las herramientas afiladas y limpias.** Las herramientas adecuadamente mantenidas, con los bordes cortantes afilados, serán más fáciles de utilizar y controlar.
- (8) **Compruebe que las piezas móviles no estén desalineadas ni atascadas, que no haya piezas rotas, y demás condiciones que puedan afectar la operación de las herramientas. En caso de que una herramienta esté averiada, repárela antes de utilizarla.** Muchos de los accidentes se deben a herramientas mal cuidadas.
- (9) **Utilice solamente los accesorios recomendados por el fabricante para su modelo.** Los accesorios adecuados para una herramienta podrían crear el riesgo de lesiones cuando se utilicen con otra.

5. Servicio de reparación

- (1) **El servicio de reparación deberá realizarlo solamente personal cualificado.** El servicio de mantenimiento o de reparación realizado por personal no cualificado podría resultar en el riesgo de lesiones.
- (2) **Para el servicio de mantenimiento o reparación de una herramienta, utilice solamente piezas de repuesto idénticas. Siga las instrucciones de la sección de mantenimiento de este manual.** La utilización de piezas no autorizadas, o el no seguir las indicaciones del Manual de instrucciones puede crear el riesgo de descargas eléctricas u otras lesiones.

ADVERTENCIA:

A algunos polvos creados por el lijado mecánico, el aserrado, el esmerilado, el taladrado y otras actividades de construcción contienen sustancias químicas conocidas por el Estado de California como agentes cancerígenos, defectos congénitos y otros daños reproductores. Algunos ejemplos de estas sustancias químicas son:

- El plomo de las pinturas a base de plomo,
- El sílice cristalino de los ladrillos y cemento y otros productos de mampostería, y
- El arsénico y el cromo de la madera tratada químicamente.

El riesgo resultante de la exposición varía según la frecuencia con que se realiza este tipo de trabajo. Para reducir la exposición a estas sustancias químicas: trabaje en un lugar bien ventilado y realice el trabajo utilizando el equipamiento apropiado, tal como las máscaras para el polvo especialmente diseñados para eliminar las partículas minúsculas.

NORMAS ESPECÍFICOS DE SEGURIDAD

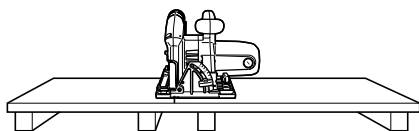
- 1. ¡PELIGRO! Mantenga las manos alejadas de área de corte y de la cuchilla.** Coloque su otra mano en el asa auxiliar o en la carcasa del motor. Si sujeta la sierra con ambas manos, no se herirá con la cuchilla.
Mantenga su cuerpo posicionado a uno u otro lado de la cuchilla de sierra, no en línea con la misma. Es posible que el CONTRAGOLPE haga que la sierra salte hacia atrás. (Consulte CONTRAGOLPE.)
No toque la parte inferior de la pieza de trabajo. El protector no le protegerá contra la cuchilla debajo de la pieza de trabajo.
- 2. Compruebe el cierre correcto del protector inferior antes de cada uso. Si el protector inferior no se mueve con libertad o no se cierra instantáneamente, no utilice la sierra. No fije ni sujete nunca el protector inferior en la posición de abierto.** Si la sierra se cayese accidentalmente, el protector inferior podría doblarse. Levante el protector inferior con el asa retráctil y cerciórese de que se mueva libremente y no toque la cuchilla ni otras partes en ningún ángulo ni profundidad de corte.
- 3. Compruebe la operación y las condiciones de resorte del protector inferior. Si el protector y el resorte no funcionan adecuadamente, habrá que repararlos antes de utilizar la sierra.** El protector inferior puede funcionar lentamente debido a piezas dañadas, depósitos pegajosos, o acumulación de desperdicios.
- 4. El protector inferior deberá retraerse manualmente solamente para cortes especiales tales como "Cortes de cavidades" y "Cortes compuestos". Levante el protector inferior con el asa retráctil.** Tan pronto como la cuchilla entre en contacto con el material, habrá que bajar el protector inferior. Para otros tipos de cortes, el protector inferior deberá trabajar automáticamente.
- 5. Compruebe siempre si el protector inferior está cubriendo la cuchilla antes de colocar la sierra sobre el banco de trabajo o el suelo.** Una cuchilla sin protección y girando hará que la sierra retroceda, cortando lo que encuentre a su paso. Tenga el tiempo que tarda la cuchilla en pararse después de haber soltado el interruptor.
- 6. No sujete NUNCA la pieza a serrar con las manos ni los pies.** Es muy importante asegurar la pieza a serrar de forma que el cuerpo quede lo menos expuesto posible, la cuchilla no se pegue, y no se pierda el control.
- 7. Sujete la herramienta por las superficies aisladas cuando realice un trabajo en el que pueda entrar en contacto con cableado oculto.** El contacto con un conductor "activo" expondría las partes metálicas de la herramienta al "contacto eléctrico" y el operador podría recibir una descarga eléctrica.
- 8. Para serrar, utilice siempre una escuadra de guía o una guía para corte recto.** Esto mejorará la precisión del corte y reducirá el riesgo de que se pegue la cuchilla.
- 9. Utilice siempre cuchillas con agujeros para el eje (adiamantados contra circulares) de tamaño y forma correctos.** Las cuchillas que no coincidan con las piezas de montaje de la sierra girarán de forma excéntrica, haciendo que se pierda el control.
- 10. No utilice nunca arandelas de pernos ni de cuchillas incorrectos.** Las arandelas y los pernos han sido diseñados especialmente para su sierra, a fin de lograr una operación correcta y segura.
- 11. Causas del contragolpe y protección del operador:**
El contragolpe es una reacción repentina de una cuchilla de sierra atascada o desalineada, que causa el levantamiento incontrolado de la sierra fuera de la pieza de trabajo hacia el operador.

Cuando la cuchilla se cale fuertemente al terminar el corte, se atascará y la reacción del motor hará que la sierra retroceda rápidamente hacia el operador.

Si la cuchilla se retuerce o desalinea durante el corte, los dientes del borde posterior de la misma pueden insertarse en la superficie superior de la madera haciendo que salga del corte y retroceda hacia el operador.

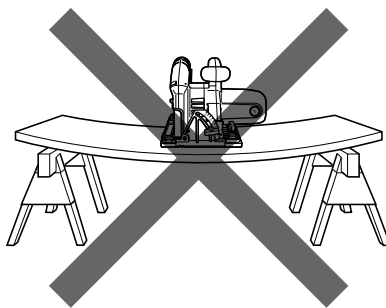
El contragolpe es el resultado de la mala utilización y/o de los procedimientos de operación incorrectos o las malas condiciones, y puede evitarse si el operador tiene en cuenta las precauciones siguientes:

12. **Sujete firmemente la sierra y coloque su cuerpo y brazos de forma que pueda resistir la fuerza del CONTRAGOLPE.** El operador podrá resistir la fuerza del CONTRAGOLPE si toma las precauciones apropiadas.
13. **Cuando la cuchilla se pegue, o cuando interrumpa el corte por cualquier razón, suelte el interruptor y sujete la sierra sin moverla en el material hasta que la cuchilla se haya parado completamente. No intente nunca retirar la sierra de la pieza de trabajo ni de devolverla hacia atrás mientras la cuchilla esté en movimiento, ya que podría producirse el CONTRAGOLPE.** Investigue las causas y tome medidas correctivas para eliminar el agarrotamiento de la cuchilla.
14. **Para volver a poner en funcionamiento la sierra en una pieza de trabajo, centre la cuchilla de sierra en la línea de corte y compruebe que los dientes no estén enganchados en el material.** Si la cuchilla de sierra estuviese pegada, podría moverse hacia arriba y producir el CONTRAGOLPE al volver a poner en funcionamiento la sierra.
15. **Sujete los paneles grandes para reducir el riesgo de que la cuchilla se cale y se produzca el CONTRAGOLPE.** Los paneles grandes tienden a pandearse por su propio peso. Se deberán colocar soportes debajo del panel, en ambos lados, cerca de la línea de corte y próximo al borde del panel, tal como se observa en la Fig.1.
Para reducir al mínimo el riesgo de que la cuchilla se cale y se produzca el contragolpe cuando la operación de corte requiere apoyar la sierra sobre la pieza de trabajo, apóyela sobre la parte más grande y corte la pieza más pequeña.



Para evitar el contragolpe, apoye la tabla o el panel cerca del lugar de corte.

Fig. 1



No apoye la tabla o el panel lejos del lugar de corte.

Fig. 2

16. **No utilice cuchillas desafiladas ni dañadas.** Las cuchillas mal afiladas o ajustadas podrían producir un corte que produjese excesiva fricción, agarrotamiento de la cuchilla, y CONTRAGOLPE.
17. **Las palancas de bloqueo de la profundidad y el ángulo de corte deberán estar apretadas con seguridad antes de serrar.** Si el ajuste de la cuchilla se desplazase durante el corte, podría producirse el agarrotamiento y el CONTRAGOLPE.

- 18. Preste especial atención cuando realice “Cortes de cavidades” en paredes existentes o en otros lugares ciegos.** La cuchilla podría cortar objetos que podrían producir el CONTRAGOLPE.
- 19. Sujete las herramientas por las superficies de empuñadura aisladas cuando realice una operación en la que la herramienta de corte pueda entrar en contacto con cables ocultos o con su propio cable de alimentación.** El contacto con un conductor “activo” “activará” las partes metálicas de la herramienta y el operador recibirá una descarga eléctrica.
- 20. No toque nunca las piezas móviles.**
No coloque nunca sus manos, dedos, ni demás partes del cuerpo cerca de las piezas móviles de la herramienta.
- 21. No utilice nunca la herramienta sin los protectores colocados en su lugar.**
No utilice nunca esta herramienta sin los protectores de seguridad correctamente instalados. Si el trabajo de mantenimiento o de reparación requiere el desmontaje de un protector de seguridad, cerciórese de volver a instalarlo antes de utilizar la herramienta.
- 22. Utilice la herramienta correcta.**
No fuerce herramientas ni accesorios pequeños para realizar un trabajo pesado. No utilice las herramientas para fines no proyectados, por ejemplo, no utilice esta amoladora angular para cortar madera.
- 23. No utilice nunca una herramienta eléctrica para aplicaciones que no sean las especificadas.**
No utilice nunca una herramienta eléctrica para aplicaciones no especificadas en este Manual de instrucciones.
- 24. Maneje correctamente la herramienta.**
Maneje la herramienta de acuerdo con las instrucciones ofrecidas aquí. No deje caer ni tire la herramienta. No permita nunca que los niños ni otras personas no autorizadas ni familiarizadas con la operación de la herramienta utilicen ésta.
- 25. Definiciones para los símbolos**
V voltios
= = Corriente continua
nº Velocidad sin carga
--/min Revoluciones o reciprocación por minuto
- 26. Mantenga todos los tornillos, pernos, y cubiertas firmemente fijados en su lugar.**
Mantenga todos los tornillos, pernos, y cubiertas firmemente montados. Compruebe periódicamente su condición.
- 27. No utilice herramientas eléctricas si la carcasa o la empuñadura de plástico está rajada.**
Las rajaduras en la carcasa o en la empuñadura de plástico pueden conducir a descargas eléctricas. Tales herramientas no deberán utilizarse mientras no se hayan reparado.
- 28. Las cuchillas y los accesorios deberán montarse con seguridad en la herramienta.**
Evite lesiones personales y de otras personas. Las cuchillas, los accesorios de corte, y demás accesorios montados en la herramienta deberán fijarse con seguridad.
- 29. No utilice nunca una herramienta defectuosa o que funcione anormalmente.**
Si la herramienta parece que funciona anormalmente, produciendo ruidos extraños, etc., deje inmediatamente de utilizarla y solicite su arreglo a un centro de reparaciones autorizado por Hitachi.
- 30. Maneje con cuidado las herramientas eléctricas.**
Si una herramienta eléctrica se ha caído o ha chocado inadvertidamente contra materiales duros, es posible que se haya deformado, rajado, o dañado.
- 31. No limpie las partes de plástico con disolvente.**
Los disolventes, como gasolina, diluidor de pintura, bencina, tetracloruro de carbono, y alcohol pueden dañar o rajar las partes de plástico. No las limpie con tales disolventes. Limpie las partes de plástico con un paño suave ligeramente humedecido en agua jabonosa y después séquelas bien.

INSTRUCCIONES IMPORTANTES PARA LA UTILIZACIÓN DEL SIERRA CIRCULAR A BATERÍA

⚠ ADVERTENCIA: Si utiliza el sierra circular a batería de forma inadecuada o insegura, puede sufrir lesiones serias. Para evitar estos riesgos, siga las instrucciones básicas de seguridad.

1. Cuando vaya a utilizar la herramienta durante mucho tiempo, utilice tapones para los oídos. La exposición prolongada a ruido de gran intensidad podría producir la pérdida del sentido del oído.
2. Nunca ponga calces ni ate la cubierta protectora para dejarla abierta. Compruebe la cubierta protectora antes de cada utilización. No utilice la herramienta si la cubierta protectora no se cierra con fuerza sobre la hoja de sierra.

⚠ PRECAUCIÓN:

Si dejase caer la sierra, la cubierta protectora podría doblarse impidiendo que volviese completamente.

3. Para este modo, las hojas de sierra deberán ser de 165 a 160 mm.
4. No coloque nunca las manos ni otras partes del cuerpo de la sierra durante la operación. Sujete la hoja de sierra solamente por su asa.
5. Como la sierra circular inalámbrica funciona con una batería, tenga en cuenta que puede comenzar a funcionar en cualquier momento.
6. Utilice en todo momento protectores para los ojos y los oídos.
7. Cuando trabaje en lugares elevados, no permita que haya nadie en el área, y tenga en cuenta las condiciones del lugar situado debajo de usted.
8. Para evitar la pérdida de control, lo que podría causar lesiones, es muy importante inmovilizar adecuadamente la pieza de trabajo y sujetar firmemente la sierra.
9. Protéjase contra el contragolpe: El contragolpe ocurre cuando la sierra se para rápidamente y retrocede hacia el operador. Si la hoja de sierra se atasca o la sierra se para, suelte inmediatamente el gatillo interruptor.
 - Mantenga las hojas de sierra afiladas.
 - Sujete el panel cerca de la parte de corte.
 - Utilice la guía cuando corte.
 - No fuerce la herramienta.
 - Esté alerta, no pierda el control.
 - No extraiga la herramienta de la pieza de trabajo mientras la hoja de sierra esté moviéndose.
10. Durante la operación, sujete firmemente el cuerpo principal.
11. Mantenga la lámpara encendida solamente durante la operación de corte. Si estuviese encendida en otros casos, el interruptor del cuerpo principal podría cerrarse inadvertidamente, lo que resultaría en accidentes inesperados.

INSTRUCCIONES IMPORTANTES DE SEGURIDAD PARA EL CARGADOR DE BATERÍAS

1. Este manual contiene instrucciones importantes de seguridad para el cargador de baterías modelo UC 24YF.
2. Antes de utilizar el cargador de baterías, lea todas las instrucciones y tenga en cuenta las marcas de precaución de (1) el cargador de baterías, (2) la batería, y (3) el producto que utiliza la batería.
3. Para reducir el riesgo de lesiones, cargue la batería HITACHI de tipo de la serie EB7, EB9, EB12, EB14, EB18 y EB24. Otros tipos de baterías podrían explotar causando lesiones y daños.
4. No exponga el cargador de baterías a la lluvia ni a la nieve.
5. La utilización de un accesorio no recomendado o vendido por el fabricante del cargador de baterías puede resultar en el riesgo de incendios, en descargas eléctricas, o en lesiones.
6. Para reducir el riesgo de dañar el cable y el enchufe, para desconectar el cable del cargador de baterías, tire del enchufe.
7. Cerciórese de que el cable quede situado donde no pueda pisarse, donde nadie pueda tropezar con él, y donde no pueda recibir daños.
8. A menos que sea absolutamente necesario, no deberá utilizarse un cable prolongador. La utilización de un cable prolongador inadecuado podría resultar en el riesgo de incendios y descargas eléctricas.
Cuando tenga que utilizar un cable prolongador, cerciórese de que:
 - a. El enchufe del cable prolongador sea igual en tamaño y forma que el del cargador de baterías;
 - b. El cable prolongador esté adecuadamente conectado y en buenas condiciones eléctricas; y
 - c. Que el calibre del cable sea suficiente para el amperaje de CA del cargador de baterías, como se especifica en la Tabla 1.

Tabla 1

CALIBRE (AWG) MÍNIMO RECOMENDADO PARA CABLES PROLONGADORES PARA EL CARGADOR DE BATERÍAS

| Amperaje nominal de entrada de CA* | | Calibre (AWG) del cable | | | |
|------------------------------------|-----------------|-----------------------------------|---------|----------|----------|
| Igual o superior a | pero inferior a | Longitud del cable, Pies (metros) | | | |
| | | 25 (7,5) | 50 (15) | 100 (30) | 150 (45) |
| 0 | 2 | 18 | 18 | 18 | 16 |
| 2 | 3 | 18 | 18 | 16 | 14 |
| 3 | 4 | 18 | 18 | 16 | 14 |

* Si la entrada nominal del cargador de baterías se indica en vatios en vez de amperios, el amperaje nominal correspondiente se determinará dividiendo el vataje por la tensión, por ejemplo:

$$\frac{1250 \text{ vatios}}{125 \text{ voltios}} = 10 \text{ amperios}$$


9. No utilice el cargador de baterías con un cable o un enchufe dañado. Si están dañados, reemplácelos inmediatamente.
10. No utilice el cargador de baterías si ha recibido un golpe, si ha caído, o si está dañado de alguna otra forma. Llévelo a un técnico cualificado.
11. No desarme el cargador de baterías. Cuando necesite reparación, llévelo a un técnico cualificado. El reensamblaje incorrecto podría resultar en el riesgo de incendios o descargas eléctricas.
12. Para reducir el riesgo de descargas eléctricas, desenchufe el cargador del tomacorriente antes de intentar realizar cualquier operación de mantenimiento o de limpiarlo. La extracción de la batería no reducirá este riesgo.

INSTRUCCIONES IMPORTANTES DE SEGURIDAD PARA LA BATERÍA Y EL CARGADOR DE BATERÍAS

Usted deberá cargar la batería antes de utilizar el atornilladores de percusion inalámbrico. Antes de utilizar el cargador de baterías modelo UC 24YF, cerciórese de leer todas las instrucciones y precauciones del mismo, de la batería, y de este manual.

RECUERDE: ¡UTILICE SOLAMENTE BATERÍAS HITACHI DE LOS TIPOS DE LA SERIE EB7, SERIE EB9, SERIE EB12, SERIE EB14, SERIE EB18 Y SERIE EB24. LOS DEMÁS TIPOS DE BATERÍAS PODRÍAN EXPLOTAR Y CAUSAR LESIONES!

Para evitar el riesgo de lesiones, siga las instrucciones ofrecidas a continuación:

 ADVERTENCIA: La utilización inadecuada de la batería o del cargador de baterías puede conducir a lesiones serias. Para evitar estas lesiones:

1. **NUNCA** desarme la batería.
2. **NUNCA** incinere una batería, aunque esté dañada o completamente agotada.
3. **NUNCA** cortocircuite la batería.
4. **NUNCA** inserte ningún objeto en las ranuras de ventilación del cargador. Si lo hiciese podría recibir descargas eléctricas o dañar el cargador de baterías.
5. **NUNCA** cargue en exteriores. Mantenga la batería alejada de la luz solar directa, y utilícela solamente donde haya poca humedad y una buena ventilación.
6. **NUNCA** cargue cuando la temperatura sea inferior a 32°F (0°C) o superior a 104°F (40°C).
7. **NUNCA** conecte dos cargadores de baterías juntos.
8. **NUNCA** inserte objetos extraños en el orificio para la batería ni en el cargador de baterías.
9. **NUNCA** utilice un transformador elevador para cargar.
10. **NUNCA** utilice un motogenerador ni tensión de CC para cargar.
11. **NUNCA** guarde la batería ni el cargador de baterías en lugares en los que la temperatura pueda alcanzar o sobrepasar 104°F (40°C).
12. **SIEMPRE** utilice el cargador con un tomacorriente (120 voltios). La utilización de un cargador con cualquier otra tensión podría hacer que éste se recalentase y dañase.

13. **SIEMPRE** espere 15 minutos por lo menos entre las cargas para evitar que el cargador se recaliente.
14. **SIEMPRE** desconecte el cable de alimentación del tomacorriente cuando no vaya a utilizar el cargador.

**¡GUARDE ESTAS INSTRUCCIONES
Y
PÓNGALAS A DISPOSICIÓN DE
OTROS USUARIOS
Y
PROPIETARIOS DE ESTA
HERRAMIENTA!**

DESCRIPCIÓN FUNCIONAL

NOTA:

La información contenida en este Manual de instrucciones ha sido diseñada para ayudarle a utilizar con seguridad y mantener esta herramienta eléctrica.

NUNCA haga funcionar ni efectúe el mantenimiento de la herramienta antes de leer y comprender todas las instrucciones de seguridad contenidas en este manual.

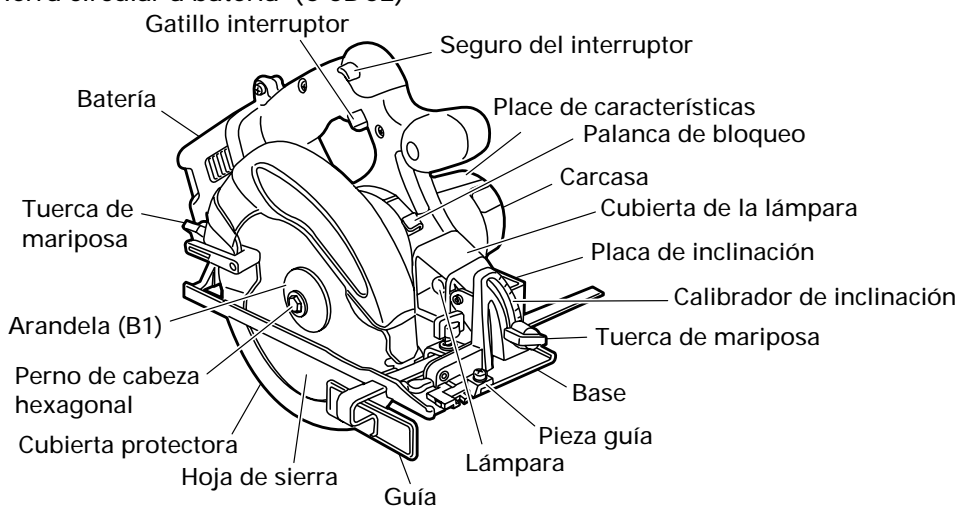
Algunas ilustraciones de este Manual de Instrucciones pueden mostrar detalles o accesorios diferentes a los de la propia herramienta eléctrica.

MODELO

C 6DC2 (BFK): con cargador y caja.

NOMENCLATURA

1. Sierra circular a batería (C 6DC2)



○ Batería (EB1820 o EB18B)

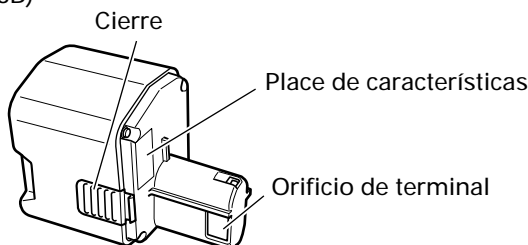


Fig. 3

2. Cargador de baterías (UC24YFA o UC 24YF)

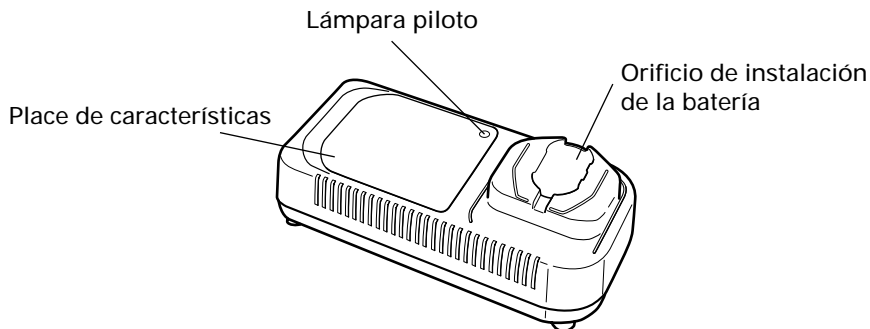


Fig. 4

ESPECIFICACIONES

1. Sierra circular a batería (C 6DC2)

| | |
|-----------------------------|---|
| Motor | Motor de CC |
| Velocidad sin carga | 3400/min |
| Profundidad máx. de corte | 2-1/4" (57 mm) |
| Tamaño de la hoja de sierra | 6-1/2" (165 mm) D × 5/8" (15,9 mm) H × 1/16" (1,6 mm) T |
| Battery (EB1820) | Nickel cadmium battery Voltage DC18V Frecuencia de carga y descarga aprox. 1000 |
| Lámpara | 12V, 5W |
| Peso | 7,3 lbs (3,3 kg) |

2. Cargador de baterías

| Modelo | UC24YFA | UC24YF |
|-----------------------------------|-----------------------------|---|
| Fuente de alimentación de entrada | Monofásica: 120 V CA, 60 Hz | |
| Tiempo de carga | Aprox. 50min. | Aprox. 60min. (A una temperatura de 68°F (20°C)) |
| Tensión de carga | 7,2 - 24V CC | |
| Corriente de carga | 2,5A CC | 2,1A CC |
| Peso | 1,3 lbs (0,6 kg) | 2,2 lbs (1 kg) |

NOTA: El tiempo de carga pueda variar de acuerdo con la temperatura y la tensión de la fuente de alimentación.

MONTAJE Y OPERACIÓN

APLICACIONES

- Corte de varios tipos de madera

MÉTODO DE EXTRACCIÓN E INSTALACIÓN DE LA BATERÍA

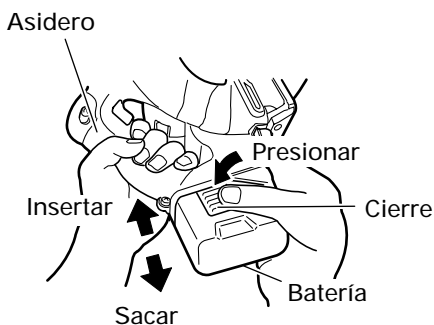


Fig. 5

- Forma de instalar la batería
Alinee la batería con la ranura de la asidero de la herramienta y deslícela en su lugar. Insértela siempre completamente hasta que suene un pequeño chasquido. Si no lo hiciese, podría caerse de la herramienta, causando lesiones a usted mismo o a alguien que se encuentre cerca. (Fig. 5)
- Forma de extraer la batería
Extraiga la batería de la asidero de la herramienta presionando los enganches de ambos lados de dicha batería. (Fig. 5)

MÉTODO DE CARGA

NOTA:

Antes de enchufar el cargador en un tomacorriente, tenga en cuenta los puntos siguientes:

- La tensión de la fuente de alimentación está indicada en la placa de características.
- El cable no deberá estar dañado.

⚠ ADVERTENCIA: No cargue con una tensión superior a la indicada en la placa de características. Si cargase con una tensión superior a la indicada en la placa de características, el cargador se quemaría.

1. Inserte el enchufe del cargador de baterías en un tomacorriente.
Cuando haya insertado el enchufe del cargador de baterías en un tomacorriente, la lámpara piloto parpadeará lentamente en rojo. (A intervalos de 1 segundo)

⚠ ADVERTENCIA:

No utilice el cargador si su cable está dañado. Haga que se lo reparen inmediatamente.

(2) Temperatura de la batería

La temperatura de la batería se muestra en la tabla siguiente, y si la batería se calentado, habrá que dejar que se enfríe durante cierto tiempo antes de recargarla.

Tabla 3 Recarga de una batería que se haya calentado

| Batería | Temperatura a la que podrá recargarse la batería |
|---------------|--|
| EB1820, EB18B | 23°F—140°F (-5°C—60°C) |

4. Desconecte el cargador de baterías del tomacorriente.

 PRECAUCIÓN:

No desconecte el cable del tomacorriente tirando del mismo.

Cerciórese de tirar del enchufe para desconectarlo del tomacorriente a fin de evitar dañar el cable.

5. Extraiga la batería del cargador de baterías.

Sujetando el cargador de baterías con una mano, extraiga la batería del mismo.

 PRECAUCIÓN:

- Si utiliza continuamente el cargador de baterías, éste se calentará, lo que puede causar averías. Después de haber finalizado la carga, espere 15 minutos antes de realizar la carga siguiente.
- Si recarga una batería caliente o expuesta al sol, la lámpara piloto puede encenderse en verde.
La batería no se cargará. En tal caso, deje que la batería se enfríe antes de cargarla.
- Cuando la lámpara piloto destelle rápidamente en rojo (a intervalos de 0,2 segundos), compruebe y elimine los objetos extraños que haya en el orificio de instalación del cargador de baterías. Si no hay objetos extraños, es probable que la batería o que el cargador de baterías esté funcionando mal. Llévelos a un centro de reparaciones autorizado.

Descarga eléctrica en caso de baterías nuevas, etc.

Como la substancia química interna de las baterías nuevas o las que no se hayan utilizado durante mucho tiempo no está activada, la descarga eléctrica puede ser inferior cuando se utilicen por primera y segunda vez. Este fenómeno es temporal, y el tiempo normal requerido para la recarga se restablecerá recargando las baterías 2 – 3 veces.

Forma de hacer que las baterías duren más

(1) Recargue las baterías antes de que se hayan agotado completamente.

Si siente que la potencia de la herramienta eléctrica se debilita, deje de utilizarla y recargue su batería. Si continuase utilizando la herramienta hasta agotar la capacidad de la batería, ésta podría dañarse y su duración útil podría acortarse.

(2) Evite realizar la recarga a altas temperaturas

Una batería se calentará inmediatamente después de haberla utilizado. Si recargase tal batería inmediatamente después de haberla utilizado, su sustancia química interna se deterioraría, y la duración útil de la batería se acortaría. Deje la batería y recárguela después de que se haya enfriado durante cierto tiempo.

ANTES DE LA UTILIZACIÓN

1. Compruebe el entorno del área de trabajo.

Compruebe el área de trabajo para asegurarse de que esté libre de desperdicios y obstáculos.

Compruebe que en el área no haya personal innecesario. Cerciórese de que la iluminación y la ventilación sean adecuadas.

2. Compruebe si la hoja de sierra está apretada.


Aunque la hoja de sierra ha sido apretada con seguridad para utilizarse inmediatamente al ensamblarse en la fábrica, por motivos de seguridad, compruébela. Los pernos con arandela podrán apretarse girándolos hacia la derecha. Para la comprobación, utilice la llave de cubo suministrada.

Para más detalles, consulte [MONTAJE Y DESMONTAJE DE LA HOJA DE SIERRA] de la página 78.

3. Compruebe si la tuerca de mariposa está apretada.

Si la tuerca de mariposa de ajuste de la profundidad de corte (Fig. 8) estuviese floja, podrían producirse lesiones. Cerciórese de que esté apretada con seguridad.

4. Compruebe el funcionamiento de la cubierta protectora.

 ADVERTENCIA: Cerciórese de que la cubierta protectora no esté trabada. Además, compruebe si se mueve suavemente. Si la hoja de sierra estuviese expuesta, podrían producirse lesiones.

La cubierta protectora (consulte la Fig. 3) sirve para evitar que su cuerpo entre en contacto con la hoja de sierra. Cerciórese de que la cubierta protectora funcione correctamente para cubrir la hoja de sierra. Si la cubierta protectora no se mueve suavemente, no utilice la sierra sin haberla reparado.

Cuando necesite repararla, póngase en contacto con el establecimiento en el que haya adquirido la sierra circular o con un centro de reparaciones autorizado por HITACHI.

5. Compruebe la batería insertada.

⚠ ADVERTENCIA: Si insertase la batería con el gatillo interruptor en la posición ON, la herramienta eléctrica comenzará a funcionar inmediatamente, lo que podría provocar lesiones serias.

⚠ PRECUCIÓN: Inserte la batería hasta que encaje en su lugar con un ligero chasquido, ya que de lo contrario podría caerse accidentalmente de la herramienta y causar lesiones.

6. Compruebe si el freno funciona adecuadamente.

Esta sierra circular se caracteriza por un freno eléctrico que funciona cuando se suelta el gatillo interruptor. Si el freno no se aplica, lleve la herramienta a un centro de reparaciones autorizado por Hitachi.

7. Prepare un banco de trabajo de madera (Fig. 7).

Como la hoja de sierra sobresaldrá de la superficie inferior de la madera de trabajo, coloque ésta sobre un banco de trabajo para cortarla. Si, como banco de trabajo, utiliza un madero cuadrangular, tenga en cuenta el nivel del suelo para asegurar que quede adecuadamente estabilizado. Un banco de trabajo inestable resultaría en una operación peligrosa.

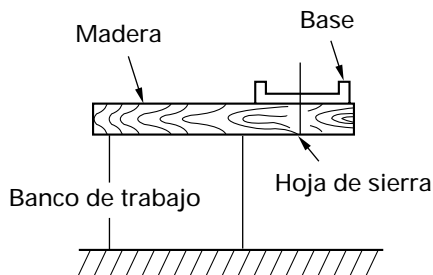


Fig. 7

⚠ PRECAUCIÓN:

Para evitar accidentes, asegúrese siempre de que la parte de madera quede después del corte esté firmemente fijada.

AJUSTE DE LA SIERRA ANTES DE UTILIZARLA

1. Ajuste de la profundidad de corte (Fig. 8)

⚠ ADVERTENCIA: Si la tuerca de mariposa estuviese floja, podría causar lesiones. Apriétela con seguridad después del ajuste.

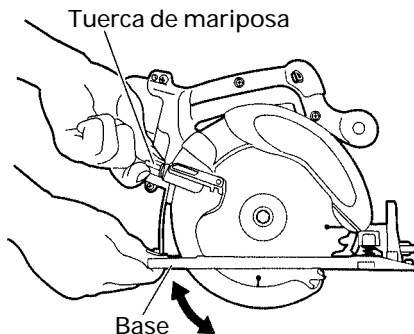


Fig. 8

Para ajustar la profundidad de corte, afloje la tuerca de mariposa y, sujetando la base con una mano, mueva la unidad principal hacia arriba y hacia abajo hasta obtener la profundidad de corte prescrita. Después de haber ajustado la profundidad de corte, apriete con seguridad la tuerca de mariposa.

2. Ajuste del ángulo de inclinación

⚠ ADVERTENCIA:

Si la tuerca de mariposa estuviese floja, podrían producirse lesiones. Después del ajuste, apriétela con seguridad.

Como se muestra en la Fig. 9, aflojando el tuerca de mariposa del calibrador de inclinación, la hoja de sierra podrá inclinarse con un ángulo máximo de 47° en relación con la base.

Antes de realizar el ajuste deseado, cerciórese de que la tuerca de mariposa esté bien apretada.

NOTA: Los valores del calibrador de inclinación de la base solamente sirven como guía aproximada. Para realizar un corte en postura inclinada, utilice la sierra circular después de haber ajustado el ángulo entre la base y la hoja de sierra con un transportador, etc.

3. Ajuste de la pieza guía

En la sierra circular, podrá ajustar con precisión la posición de fijación del lugar de la guía, donde la hoja de sierra y la línea previamente marcada deberán quedar alineadas.

Cuando la sierra sale de fábrica, la posición lineal de la escala frontal de la pieza guía está alineada con la posición central de la hoja de sierra. (Fig. 10)

Afloje el tornillo fijo de la pieza guía, si la posición es errónea, y ajuste adecuadamente dicha posición. (Fig. 11)

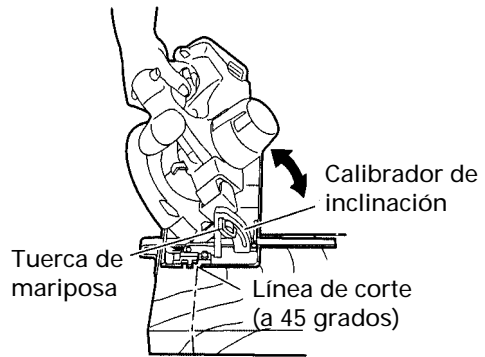


Fig. 9

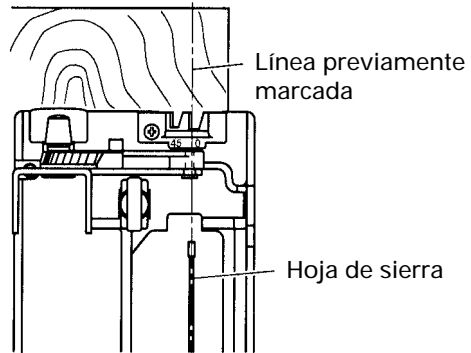


Fig. 10

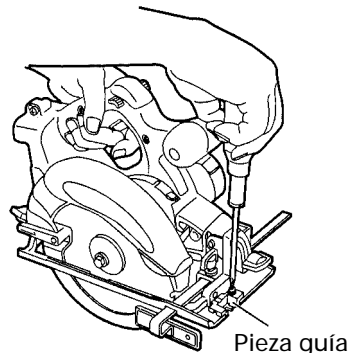


Fig. 11

4. Regulación de la guía (Fig. 12)

La posición de corte podrá regularse moviendo la guía hacia la izquierda o la derecha después de haber aflojado el perno de mariposa. La guía podrá montarse en la parte derecha o izquierda de la herramienta.

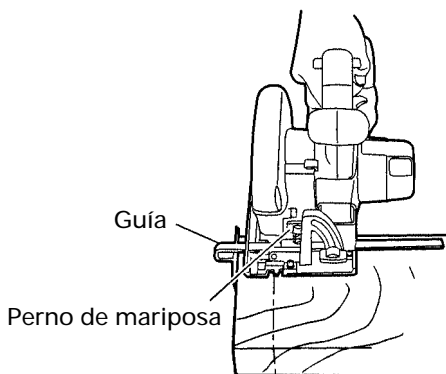


Fig. 12

OPERACIÓN

⚠ ADVERTENCIA:

- No toque nunca las partes móviles.
- No utilice nunca la sierra circular con la hoja de sierra encarada hacia arriba ni lateralmente.
- No fije ni trabe el seguro del gatillo interruptor. Además, mantenga su dedo fuera del gatillo interruptor cuando transporte la sierra circular. De lo contrario, el interruptor del cuerpo principal podría cerrarse inadvertidamente, lo que podría resultar en lesiones.
- Mantenga la lámpara encendida solamente durante la operación de corte. Si estuviese encendida en otros casos, el interruptor del cuerpo principal podría cerrarse inadvertidamente, lo que resultaría en accidentes inesperados.

⚠ PRECAUCIÓN:

- No extraiga la sierra de la pieza de trabajo durante la operación de corte mientras la hoja de sierra esté girando.
- Después de haber finalizado la operación, extraiga la batería.

NOTA:

Tenga cuidado de no bloquear el motor. Si el motor se bloquea, desconecte inmediatamente la alimentación. Si el motor permaneciese bloqueado durante cierto tiempo, podría quemarse parte o la batería.

1. Operación de los interruptores (gatillo interruptor e interruptor de iluminación)

(1) Para poder utilizar la máquina con seguridad, en la parte lateral del asa existe un "interruptor de bloqueo".

Si tira del "interruptor de bloqueo" presionándolo en el sentido de la marca de flecha, podrá cerrar (ON) el interruptor principal.

Además, el "interruptor de bloqueo" se utiliza como "interruptor de iluminación". Si tira del "interruptor de bloqueo" en estado de bloqueo, se encenderá la lámpara de iluminación.

(2) Después de haber bloqueado el interruptor, aunque suelte el dedo del mismo, la herramienta continuará funcionando y la lámpara encendida mientras mantenga presionado el gatillo interruptor.

(3) Cuando suelte el gatillo interruptor, podrá abrir (OFF) el interruptor, éste se "desbloqueará" volviendo automáticamente a la posición inicial, y la lámpara se apagará.

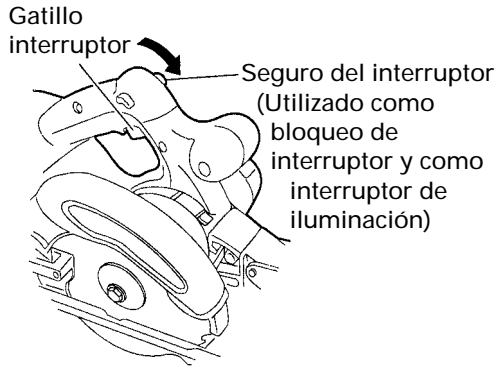


Fig. 13

2. Funcionamiento por carga (Datos de referencia)

○ La capacidad de carga diferirá de acuerdo con las condiciones de la madera, el tipo de hoja de sierra, la temperatura ambiental, las características de la batería, etc.

| Madera | Habilidad |
|--------------------------------------|---------------|
| 2 x 8 (Picea-pino-abeto) | 80 (cortes) |
| Plancha de hormigón (1/2" (12 mm) t) | 100 ft (30 m) |

Para mejorar la eficacia de trabajo por corte

- Reduzca el tiempo de funcionamiento (funcionamiento sin carga);
- Evite cualquier presión forzada irrazonable sobre el motor durante la operación de corte al torcer o al presionar a la fuerza la sierra circular;
- Evite utilizar hojas de sierra melladas.

3. Procedimientos de corte

⚠ PRECAUCIÓN:

- Compruebe si la hoja de sierra está firmemente fijada.
- Compruebe si la tuerca de mariposa para ajuste de la profundidad de ranura y el perno de mariposa para ajuste del ángulo de inclinación están correctos.

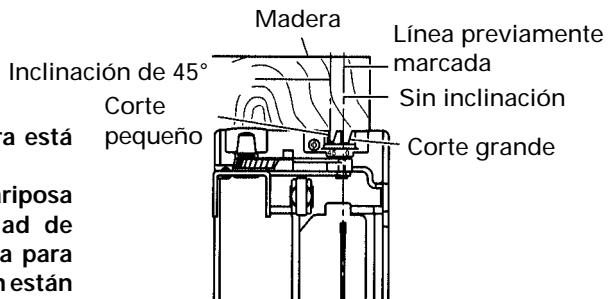


Fig. 14 (Vista superior)

- (1) Coloque la base sobre el material, y después alinee la línea previamente marcada y la hoja de sierra con la sección de la escala frontal de la pieza guía de la parte frontal de la base. (Fig. 14)
- (2) Cuando la base no esté inclinada, utilice el corte grande como pieza guía. (Fig. 14 y Fig. 15)
Si la base está inclinada (45grados), utilice la escala frontal pequeña como pieza guía. (Fig. 14 y Fig. 16)

NOTA: Cuando utilice la sierra con una inclinación de 45°, use ambas marcas de [45 grados] de la placa de nivel y [45] del calibrador de inclinación de la base. (Fig. 17)
Además, es absolutamente esencial utilizar la sierra con un ángulo preciso, ajustar utilizando un transportador, etc.

- (3) Cerciórese de que el interruptor esté cerrado (ON) antes de que la hoja de sierra entre en contacto con la madera. El interruptor se cerrará (ON) cuando apriete el gatillo interruptor, y se abrirá (OFF) cuando lo suelte. Si mueve la sierra recta a velocidad constante, podrá realizar el corte óptimo.

⚠ PRECAUCIÓN:

- Antes de comenzar a serrar, cerciórese de que la hoja de sierra haya alcanzado las revoluciones de la velocidad máxima.
- Si la hoja de sierra se para o produce algún ruido anormal durante la operación, abra inmediatamente el interruptor.
- Cuando finalice un trabajo, extraiga la batería del cuerpo principal.
- Si retuerce o presiona a la fuerza la sierra durante la operación de corte, el motor recibirá una presión irrazonable. Trate de cortar de forma recta y uniformemente.

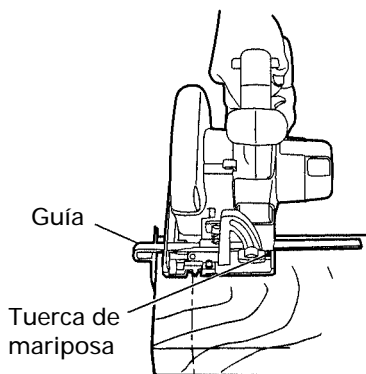


Fig. 15 Sin inclinación

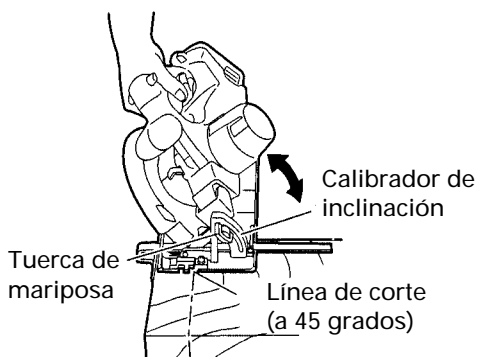


Fig. 16

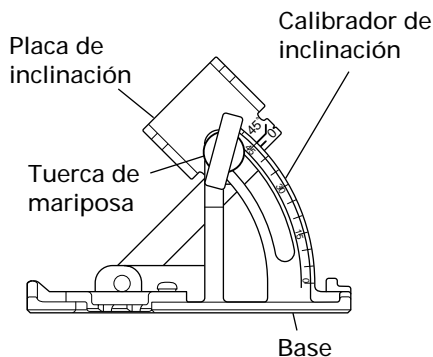


Fig. 17

- Si utiliza continuamente la sierra circular reemplazando las baterías, una tras otra, el motor puede recalentarse. Por lo tanto, cuando la carcasa se caliente, deje descansar la sierra durante cierto tiempo.
- Evite cortar cuando la parte inferior de la base esté sobresaliendo del banco de trabajo. De lo contrario, el motor podría bloquearse.

MONTAJE Y DESMONTAJE DE LA HOJA DE SIERRA

⚠ PRECAUCIÓN:

Para evitar accidentes serios, cerciórese de que el interruptor esté abierto (OFF), y extraiga la batería.

1. Desmontaje de la hoja de sierra

- (1) Ajuste la velocidad de corte al máximo, y coloque la sierra circular como se muestra en la Fig. 18.
- (2) Presione la palanca de bloqueo, bloquee el eje, y extraiga el perno de cabeza hexagonal y la arandela (B1) con la llave de cubo.
- (3) Sujetando la palanca de la cubierta protectora de forma que la hoja de sierra quede completamente al descubierto, extraiga la hoja de sierra. (Fig. 19)

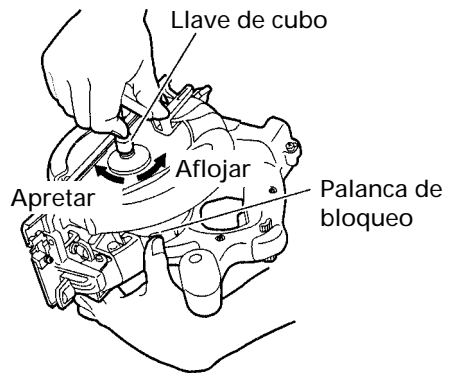


Fig. 18

2. Montaje de la hoja de sierra (Fig. 20)

⚠ ADVERTENCIA:

Si apretase los pernos con arandelas utilizando herramientas que no sean la llave de cubo suministrada, éstos podrían quedar demasiado apretados o flojos, lo que resultaría en lesiones.

- Realice los procedimientos contrarios a los de desmontaje.

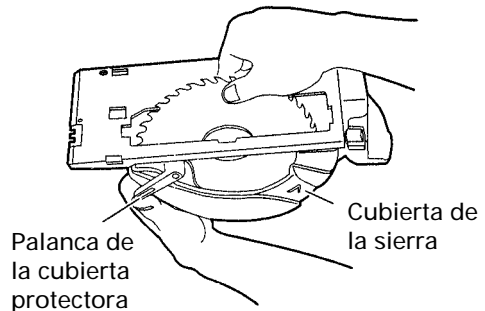


Fig. 19

NOTA:

- Limpie perfectamente el serrín, etc., que se haya acumulado en el eje, los pernos, y las arandelas.
- Para asegurar el sentido apropiado de giro de la hoja de sierra, el sentido de la flecha de dicha hoja deberá coincidir con el de la cubierta de la sierra.
- Apriete manualmente hasta donde pueda el perno de cabeza hexagonal que sujeta la hoja de sierra. Después presione la palanca de bloqueo, bloquee el eje, y apriete firmemente el perno.

⚠ PRECAUCIÓN:

Después de haber fijado la hoja de sierra, confirme si la palanca de bloqueo ha quedado firmemente asegurada en la posición descrita.

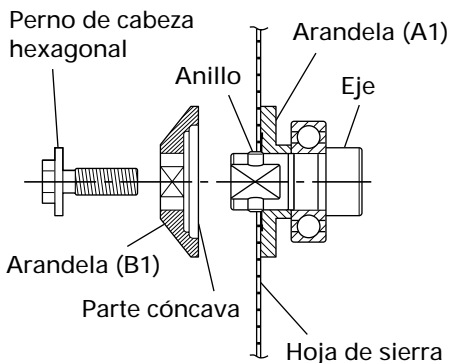


Fig. 20

FORMA DE CAMBIAR LA LÁMPARA**⚠ ADVERTENCIA:**

- Antes de reemplazar la lámpara, cerciórese de extraer la batería del cuerpo principal.
- Inmediatamente después de haber apagado la lámpara, ésta seguirá caliente. Cerciórese de que la lámpara esté completamente fría antes de reemplazarla, ya que de lo contrario podría sufrir quemaduras.

⚠ PRECAUCIÓN:

Cuando reemplace la lámpara, compruebe la forma de su casquillo así como las características de la misma (12 V, 5 W), y móntela correctamente. De lo contrario, la lámpara podría desprender y/o recalentarse.

1. Extracción de la lámpara

- (1) Extraiga la parte convexa de la cubierta de la lámpara de la parte cóncava de la carcasa, y después tire de la cubierta de la lámpara en el sentido indicado por la flecha, como se muestra en la Fig. 21.
- (2) Presione la parte posterior del casquillo y extraiga juntos éste y la lámpara de la carcasa. (Fig. 22)
- (3) Extraiga la lámpara del casquillo. (Fig. 23)

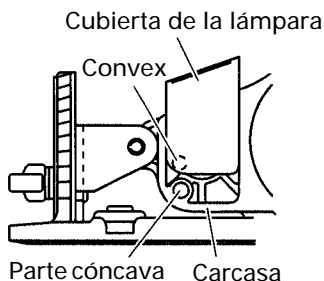


Fig. 21 (Vista lateral)

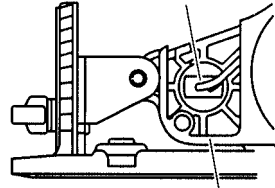
2. Instalación de la lámpara

Realice los procedimientos contrarios a los de desmontaje.

NOTA:

- Cuando fije la lámpara al casquillo, insértela hasta que choque ligeramente contra él.
- Cuando fije el casquillo a la carcasa, alinéelo con el orificio de ésta observando la parte posterior del casquillo como se muestra en la Fig. 23, e inserte el casquillo hasta que choque ligeramente contra dicha carcasa.

Parte posterior del casquillo



Carcasa

Fig. 22

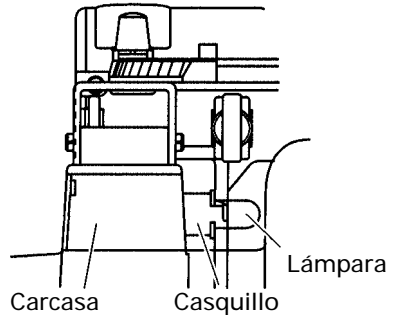


Fig. 23 (Vista superior)

MANTENIMIENTO E INSPECCIÓN

⚠ PRECAUCIÓN: Extraiga la batería antes de realizar cualquier trabajo de inspección o de mantenimiento.

1. Inspección de la hoja de sierra

Como la utilización de una hoja de sierra mellada degradaría la eficacia y podría causar el mal funcionamiento del motor, afile o reemplácela en cuanto note su abrasión.

⚠ PRECAUCIÓN:

Si utiliza una hoja de sierra mellada, la fuerza reactiva aumentará durante la operación de corte. Evite utilizar hojas de sierra melladas, sin reparar.

2. Comprobación de los tornillos de montaje

Los tornillos de montaje son peligrosos. Inspecciónelos regularmente y cerciórese de que estén bien apretados.

⚠ PRECAUCIÓN: La utilización de una herramienta eléctrica con tornillos flojos es extremadamente peligrosa.

3. Comprobación del funcionamiento y mantenimiento de la cubierta protectora

Mantenga la cubierta protectora en buenas condiciones para que funcione bien en todo momento.

En caso de mal funcionamiento, repárela inmediatamente.

4. Ajuste de la base y la hoja de sierra para mantener la perpendicularidad

El ángulo entre la base y la hoja de sierra ha sido ajustado a 90°. Sin embargo, si esta perpendicularidad se pierde por cualquier razón, ajústela de la forma siguiente.

- (1) Gire la cara de la base hacia arriba (Fig. 24) y afloje la tuerca de mariposa.
- (2) Aplique una escuadra a la base y la hoja de sierra y, girando el tornillo de sujeción ranurado con un destornillador de punta plana, desplace la posición de la base hasta conseguir un ángulo recto.

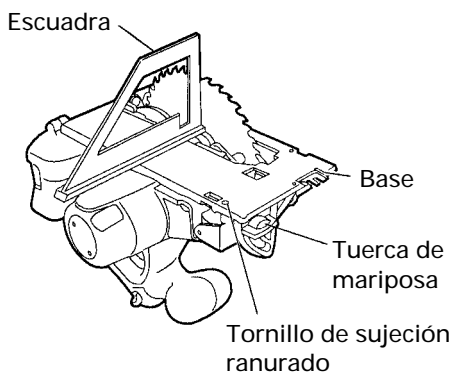


Fig. 24

5. Comprobación del polvo

El polvo podrá eliminarse con un paño suave y seco o ligeramente humedecido en agua jabonosa.

No utilice lejía, cloro, gasolina, ni diluidor de pintura, porque podrían dañar el plástico.

6. Eliminación de las baterías agotadas

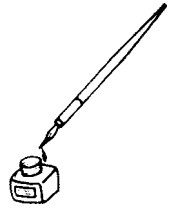
⚠ ADVERTENCIA: No tire las baterías agotadas. Las baterías pueden explotar si se incineran. El producto que ha adquirido contiene una batería. La batería es reciclable. Cuando se agote su duración útil, de acuerdo con las leyes estatales y locales, puede ser ilegal tirar esta batería a la basura, Solicite a las autoridades locales los detalles sobre las opciones de reciclado o de la forma de deshacerse apropiadamente de la batería.

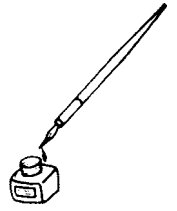
7. Almacenamiento

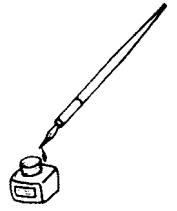
Guarde la herramienta en un lugar con menos de 104°F (40°C) y fuera del alcance de niños.

8. Mantenimiento y reparación

Todas las herramientas eléctricas de calidad requieren de vez en cuando el servicio de mantenimiento o el reemplazo de piezas debido al desgaste producido durante la utilización normal. Para asegurarse de que solamente se utilicen piezas de reemplazo autorizadas, todos los servicios de mantenimiento y reparación deberán realizarse SOLAMENTE EN UN CENTRO DE REPARACIONES AUTORIZADO POR HITACHI.









Please contact HITACHI KOKI U.S.A. LTD.
at 1-800-59-TOOLS (toll free), or HITACHI
AUTHORIZED POWER TOOL SERVICE
CENTER regarding COLLECTION.



Pour le RAMASSAGE, contacter HITACHI
KOKI U.S.A. LTD. au 1-800-59-TOOLS (appel
gratuit), ou UN SERVICE APRES-VENTE
D'OUTILS ELECTRIQUE AGREE PAR
HITACHI.



Con respecto a la RECOLECCIÓN de
baterías, póngase en contacto con HITACHI
KOKI U.S.A. LTD. número 1-800-59-TOOLS
(llamada gratis), o con HITACHI AUTORIZED
POWER TOOL SERVICE CENTER.

Issued by

Hitachi Koki Co., Ltd.

Shinagawa Intercity Tower A, 15-1, Konan 2-chome,
Minato-ku, Tokyo 108-6020, Japan

Distributed by

Hitachi Koki U.S.A., Ltd.

3950 Steve Reynolds Blvd.
Norcross, GA 30093

Hitachi Koki Canada Co.

6395 Kestrel Road
Mississauga ON L5T 1Z5