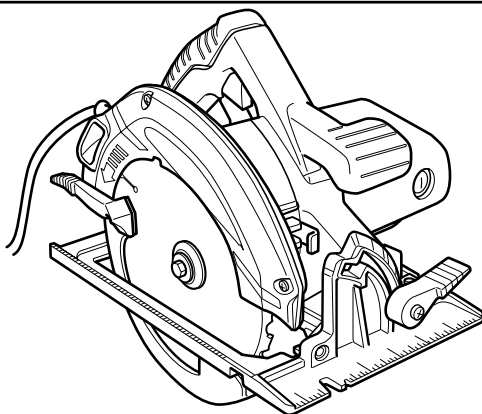


# HITACHI

Model  
Modèle  
Modelo

**C 7SB2 • C 7BD2**

Circular saw  
Scie circulaire  
Sierra circular



## SAFETY INSTRUCTIONS AND INSTRUCTION MANUAL

### ⚠ WARNING

**IMPROPER OR UNSAFE** use of this power tool can result in death or serious bodily injury!

This manual contains important information about product safety. Please read and understand this manual **BEFORE** operating the power tool. Please keep this manual available for other users and owners before they use the power tool. This manual should be stored in safe place.

## INSTRUCTIONS DE SECURITE ET MODE D'EMPLOI

### ⚠ AVERTISSEMENT

Une utilisation **INCORRECTE OU DANGEREUSE** de cet outil motorisé peut entraîner la mort ou de sérieuses blessures corporelles!

Ce mode d'emploi contient d'importantes informations à propos de la sécurité de ce produit. Prière de lire et de comprendre ce mode d'emploi **AVANT** d'utiliser l'outil motorisé. Garder ce mode d'emploi à la disponibilité des autres utilisateurs et propriétaires avant qu'ils utilisent l'outil motorisé. Ce mode d'emploi doit être conservé dans un endroit sûr.

## INSTRUCCIONES DE SEGURIDAD Y MANUAL DE INSTRUCCIONES

### ⚠ ADVERTENCIA

¡La utilización **INAPROPIADA O PELIGROSA** de esta herramienta eléctrica puede resultar en lesiones de gravedad o la muerte!

Este manual contiene información importante sobre la seguridad del producto. Lea y comprenda este manual **ANTES** de utilizar la herramienta eléctrica. Guarde este manual para que puedan leerlo otras personas antes de utilizar la herramienta eléctrica. Este manual debe ser guardado en un lugar seguro.



DOUBLE INSULATION  
DOUBLE ISOLATION  
AISLAMIENTO DOBLE

**Hitachi Koki**

## CONTENTS

English	Page		Page
IMPORTANT SAFETY INFORMATION .....	3	<b>ASSEMBLY AND OPERATION</b> .....	13
MEANINGS OF SIGNAL WORDS .....	3	APPLICATIONS .....	13
<b>SAFETY</b> .....	4	PRIOR TO OPERATION .....	13
GENERAL SAFETY RULES .....	4	ADJUSTING THE SAW PRIOR TO USE .....	14
SPECIFIC SAFETY RULES AND SYMBOLS .....	6	CUTTING PROCEDURES .....	16
DOUBLE INSULATION FOR SAFER OPERATION .....	11	MOUNTING AND DISMOUNTING THE SAW BLADE .....	17
<b>FUNCTIONAL DESCRIPTION</b> .....	12	<b>MAINTENANCE AND INSPECTION</b> .....	19
NAME OF PARTS .....	12	<b>ACCESSORIES</b> .....	21
SPECIFICATIONS .....	12	STANDARD ACCESSORIES .....	21
		OPTIONAL ACCESSORIES .....	21
		<b>PARTS LIST</b> .....	62

## TABLE DES MATIERES

Français	Page		Page
INFORMATIONS IMPORTANTES DE SÉCURITÉ .....	22	<b>ASSEMBLAGE ET FONCTIONNEMENT</b> .....	33
SIGNIFICATION DES MOTS D'AVERTISSEMENT .....	22	APPLICATIONS .....	33
<b>SECURITE</b> .....	23	AVANT L'UTILISATION .....	33
RÈGLES GENERALE DE SÉCURITÉ .....	23	RÉGLAGE DE LA SCIE AVANT L'UTILISATION .....	35
RÈGLES DE SÉCURITÉ SPÉCIFIQUES ET SYMBOLES .....	25	PROCÉDURES DE COUPE .....	36
DOUBLE ISOLATION POUR UN FONCTIONNEMENT PLUS SUR .....	31	MONTAGE ET DÉMONTAGE DE LA LAME DE SCIE .....	37
<b>DESCRIPTION FONCTIONNELLE</b> .....	32	<b>ENTRETIEN ET INSPECTION</b> .....	39
NOM DES PARTIES .....	32	<b>ACCESOIRES</b> .....	41
SPECIFICATIONS .....	32	ACCESOIRES STANDARD .....	41
		ACCESOIRES EN OPTION .....	41
		<b>LISTE DES PIÈCES</b> .....	62

## ÍNDICE

Español	Página		Página
INFORMACIÓN IMPORTANTE SOBRE SEGURIDAD .....	42	<b>MONTAJE Y OPERACIÓN</b> .....	53
SIGNIFICADO DE LAS PALABRAS DE SEÑALIZACIÓN .....	42	APLICACIONES .....	53
<b>SEGURIDAD</b> .....	43	ANTES DE LA OPERACIÓN .....	53
NORMAS GENERALES DE SEGURIDAD .....	43	AJUSTE DE LA SIERRA ANTES DE UTILIZARLA .....	54
NORMAS Y SÍMBOLOS ESPECÍFICOS DE SEGURIDAD .....	45	PROCEDIMIENTOS DE CORTE .....	56
AISLAMIENTO DOBLE PARA OFRECER UNA OPERACIÓN MÁS SEGURA .....	51	MONTAJE Y DESMONTAJE DE LA CUCHILLA DE LA SIERRA .....	57
<b>DESCRIPCIÓN FUNCIONAL</b> .....	52	<b>MANTENIMIENTO E INSPECCIÓN</b> .....	59
NOMENCLATURA .....	52	<b>ACCESORIOS</b> .....	61
ESPECIFICACIONES .....	52	ACCESORIOS ESTÁNDAR .....	61
		ACCESORIOS OPCIONALES .....	61
		<b>LISTA DE PIEZAS</b> .....	62

---

## **IMPORTANT SAFETY INFORMATION**

---

Read and understand all of the safety precautions, warnings and operating instructions in the Instruction Manual before operating or maintaining this power tool.

Most accidents that result from power tool operation and maintenance are caused by the failure to observe basic safety rules or precautions. An accident can often be avoided by recognizing a potentially hazardous situation before it occurs, and by observing appropriate safety procedures.

Basic safety precautions are outlined in the "SAFETY" section of this Instruction Manual and in the sections which contain the operation and maintenance instructions.

Hazards that must be avoided to prevent bodily injury or machine damage are identified by **WARNINGS** on the power tool and in this Instruction Manual.

**NEVER** use this power tool in a manner that has not been specifically recommended by HITACHI.

---

## **MEANINGS OF SIGNAL WORDS**

---

**WARNING** indicates a potentially hazardous situations which, if ignored, could result in death or serious injury.

**CAUTION** indicates a potentially hazardous situations which, if not avoided, may result in minor or moderate injury, or may cause machine damage.

**NOTE** emphasizes essential information.

# SAFETY

## GENERAL SAFETY RULES

**⚠ WARNING:** Read and understand all instructions.


Failure to follow all instructions listed below, may result in electric shock, fire and/or serious personal injury.

## SAVE THESE INSTRUCTIONS

### 1. Work Area

- (1) **Keep your work area clean and well lit.** Cluttered benches and dark areas invite accidents.
- (2) **Do not operate power tools in explosive atmospheres, such as in the presence of flammable liquids, gases, or dust.** Power tools create sparks which may ignite the dust of fumes.
- (3) **Keep bystanders, children, and visitors away while operating a power tool.** Distractions can cause you to lose control.

### 2. Electrical Safety

- (1) **Double Insulated tools are equipped with a polarized plug (one blade is wider than the other.) This plug will fit in a polarized outlet only one way. If the plug does not fit fully in the outlet, reverse the plug. If it still does not fit, contact a qualified electrician to install a polarized outlet. Do not change the plug in any way.** Double Insulation  eliminates the need for the three wire grounded power cord and grounded power supply system.
- (2) **Avoid body contact with grounded surfaces such as pipes, radiators, ranges and refrigerators.** There is an increased risk of electric shock if your body is grounded.
- (3) **Do not expose power tools to rain or wet conditions.** Water entering a power tool will increase the risk of electric shock.
- (4) **Do not abuse the cord. Never use the cord to carry the tools or pull the plug from a receptacle. Keep cord away from heat, oil, sharp edges or moving parts. Replace damaged cords immediately.** Damaged cords increase the risk of electric shock.
- (5) **When operating a power tool outside, use an outdoor extension cord marked "W-A" or "W".** These cords are rated for outdoor use and reduce the risk of electric shock.

### 3. Personal Safety

- (1) **Stay alert, watch what you are doing and use common sense when operating a power tool. Do not use tool while tired or under the influence of drugs, alcohol, or medication.** A moment of inattention while operating power tools may result in serious personal injury.

- (2) **Dress properly. Do not wear loose clothing or jewelry. Contain long hair. Keep your hair, clothing, and gloves away from moving parts.** Loose clothes, jewelry, or long hair can be caught in moving parts.
- (3) **Avoid accidental starting. Be sure switch is off before plugging in.** Carrying tools with your finger on the switch or plugging in tools that have the switch on invites accidents.
- (4) **Remove adjusting keys or wrenches before turning the tool on.** A wrench or a key that is left attached to a rotating part of the tool may result in personal injury.
- (5) **Do not overreach. Keep proper footing and balance at all times.** Proper footing and balance enables better control of the tool in unexpected situations.
- (6) **Use safety equipment. Always wear eye protection.** Dust mask, nonskid safety shoes, hard hat, or ear plugs must be used for appropriate conditions.

#### 4. Tool Use and Care

- (1) **Use clamps or other practical way to secure and support the workpiece to a stable platform.** Holding the work by hand or against your body is unstable and may lead to loss of control.
- (2) **Do not force tool. Use the correct tool for your application.** The correct tool will do the job better and safer at the rate for which it is designed.
- (3) **Do not use tool if switch does not turn it on or off.** Any tool that cannot be controlled with the switch is dangerous and must be repaired.
- (4) **Disconnect the plug from the power source before making any adjustments, changing accessories, or storing the tool.** Such preventive safety measures reduce the risk of starting the tool accidentally.
- (5) **Store idle tools out of reach of children and other untrained persons.** Tools are dangerous in the hands of untrained users.
- (6) **Maintain tools with care. Keep cutting tools sharp and clean.** Properly maintained tools, with sharp cutting edges are less likely to bind and are easier to control.
- (7) **Check for misalignment or binding of moving parts, breakage of parts, and any other condition that may affect the tool's operation. If damaged, have the tool serviced by a HITACHI authorized service center before using.** Many accidents are caused by poorly maintained tools.
- (8) **Use only accessories that are recommended by the manufacturer for your model.** Accessories that may be suitable for one tool, may become hazardous when used with another tool.

#### 5. Service

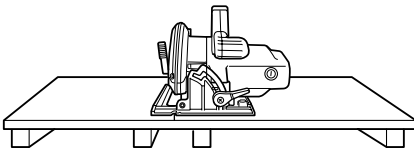
- (1) **Tool service must be performed only by a HITACHI authorized service center.** Service or maintenance performed by unqualified personnel could result in a risk of injury.
- (2) **When servicing a tool, use only identical replacement parts. Follow instructions in the Maintenance section of this manual.** Use of unauthorized parts or failure to follow Maintenance Instruction may create a risk of electric shock or injury.

## SPECIFIC SAFETY RULES AND SYMBOLS

1. **DANGER! Keep hands away from cutting area and blade. Keep your second hand on auxiliary handle, or motor housing.** If both hands are holding the saw, they cannot be cut by the blade.  
**Keep your body positioned to either side of the saw blade, but not in line with the saw blade.** KICKBACK could cause the saw to jump backwards. (See "Causes and Operator Prevention of Kickback")  
**Do not reach underneath the work.** The guard can not protect you from the blade below the work.
2. **Check lower guard for proper closing before each use. Do not operate saw if lower guard does not move freely and close instantly. Never clamp or tie the lower guard into the open position.** If saw is accidentally dropped, lower guard may be bent. Raise the lower guard with the Retracting Handle and make sure it moves freely and does not touch the blade or any other part, in all angles and depths of cut.
3. **Check the operation and condition of the lower guard spring. If the guard and the spring are not operating properly, they must be serviced before use.** Lower guard may operate sluggishly due to damaged parts, gummy deposits, or a buildup of debris.
4. **Lower guard should be retracted manually only for special cuts such as "Pocket Cuts" and "Compound Cuts."** Raise lower guard by Retracting Handle. **As soon as blade enters the material, lower guard must be released.** For all other sawing, the lower guard should operate automatically.
5. **Always observe that the lower guard is covering the blade before placing saw down on bench or floor.** An unprotected, coasting blade will cause the saw to walk backwards, cutting whatever is in its path. Be aware of the time it takes for the blade to stop after switch is released.
6. **NEVER hold piece being cut in your hands or across your leg.** It is important to support the work properly to minimize body exposure, blade binding, or loss of control.
7. **Hold tool by insulated gripping surfaces when performing an operation where the cutting tool may contact hidden wiring or its own cord.** Contact with a "live" wire will also make exposed metal parts of the tool "live" and shock the operator.
8. **When ripping always use a rip fence or straight edge guide.** This improves the accuracy of cut and reduces the chance for blade binding.
9. **Always use blades with correct size and shape (diamond vs. round) arbor holes.** Blades that do not match the mounting hardware of the saw will run eccentrically, causing loss of control.
10. **Never use damaged or incorrect blade washers or bolts.** The blade washers and bolt were specially designed for your saw, for optimum performance and safety of operation.
11. **Causes and Operator Prevention of Kickback:**  
*Kickback is a sudden reaction to a pinched, bound, or misaligned saw blade, causing an uncontrolled saw to lift up and out of the workpiece toward the operator.*  
*When the blade is pinched or bound tightly by the kerf closing down, the blade stalls and the motor reaction drives the unit rapidly back toward the operator.*  
*If the blade becomes twisted or misaligned in the cut, the teeth at the back edge of the blade can dig into the top surface of the wood causing the blade to climb out of the kerf and jump back toward operator.*

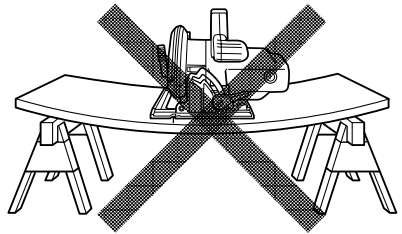
*Kickback is the result of tool misuse and/or incorrect operating procedures or conditions and can be avoided by taking proper precautions as given below:*

12. **Maintain a firm grip with both hands on the saw and position your body and arm to allows you to resist KICKBACK forces.** KICKBACK forces can be controlled by the operator, if proper precautions are taken.
13. **When blade is binding, or when interrupting a cut for any reason, release the trigger and hold the saw motionless in the material until the blade comes to a complete stop.** Never attempt to remove the saw from the work or pull the saw backward while the blade is in motion or KICKBACK may occur. Investigate and take corrective actions to eliminate the cause of blade binding.
14. **When restarting a saw in the workpiece, center the saw blade in the kerf and check that saw teeth are not engaged into the material.** If saw blade is binding, it may walk up or KICKBACK from the workpiece as the saw is restarted.
15. **Support large panels to minimize the risk of blade pinching and KICKBACK.** Large panels tend to sag under their own weight. Supports must be placed under the panel on both sides, near the line of cut and near the edge of the panel as shown in Fig. 1. To minimize the risk of blade pinching and kickback. When cutting operation requires the resting of the saw on the work piece, the saw shall be rested on the larger portion and the smaller piece cut off.



To avoid kickback, do support board or panel near the cut.

Fig. 1



Don't support board or panel away from the cut.

Fig. 2

16. **Do not use dull or damaged blade.** Unsharpened or improperly set blades produce narrow kerf causing excessive friction, blade binding and KICKBACK.
17. **Blade depth and bevel adjusting locking levers must be tight and secure before making cut.** If blade adjustment shifts while cutting, it may cause binding and KICKBACK.
18. **Use extra caution when making a "Pocket Cut" into existing walls or other blind areas.** The protruding blade may cut objects that can cause KICKBACK. NEVER place your hand or fingers behind the saw. If kickback occurs, the saw could easily jump backwards over your hand, possibly causing severe injury.

19. **Be careful of brake kickback. (C7BD2 only)** Model C7BD2 features an electric brake that functions when the switch is released. As there is some kickback when the brake functions, be sure to hold the main body securely.

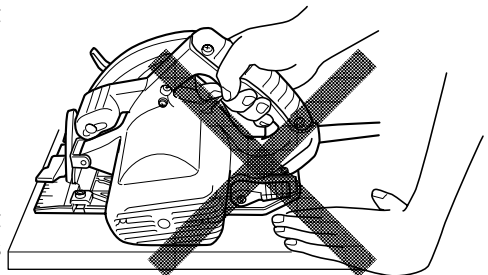


Fig. 3

- 20. **Adjustments.** Before cutting be sure depth and bevel adjustments are tight.
- 21. **Avoid cutting nails.** Inspect for and remove all nails from work piece before cutting.
- 22. **When operating the saw, keep the cord away from the cutting area and position it so that it will not be caught on the workpiece during the cutting operation.**

Operate with proper hand support, proper workpiece support, and supply cord routing away from the work area.

**WARNING:** It is important to support the work piece properly and to hold the saw firmly to prevent loss of control which could cause personal injury. Fig. 4 illustrates typical hand support of the saw.

A TYPICAL ILLUSTRATION OF PROPER HAND SUPPORT WORKPIECE SUPPORT, AND SUPPLY CORD ROUTING.

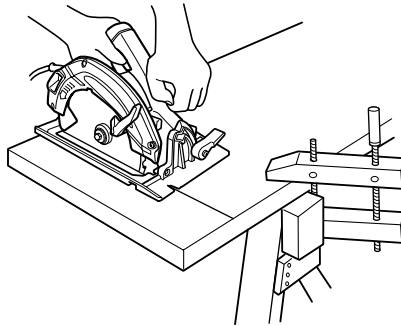


Fig. 4

- 23. **Place the wider portion of the saw base on that part of the work piece which is solidly supported, not on the section that will fall off when the cut is made.** As examples, Fig. 5 illustrates the RIGHT way to cut off the end of board, and Fig. 6 the WRONG way. If the work piece is short or small, clamp it down. **DON'T TRY TO HOLD SHORT PLACES BY HAND!**

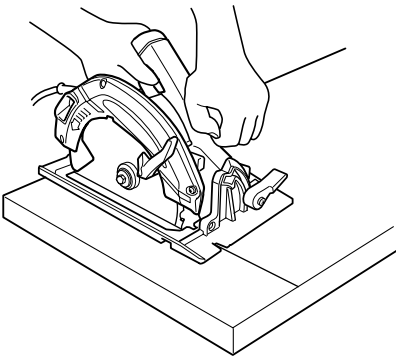


Fig. 5

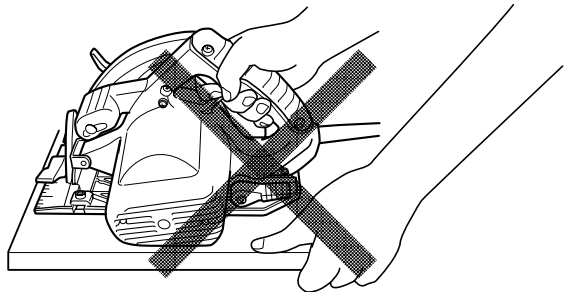


Fig. 6



24. **Never attempt to saw with the circular saw held upside down in a vise.** This is extremely dangerous and can lead to serious accidents. (Fig. 7)

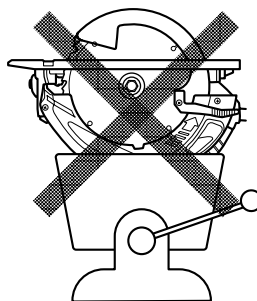


Fig. 7

25. **Before setting the tool down after completing a cut, be sure that the lower (telescoping) guard has closed and the blade has come to a complete stop.**
26. **Never touch moving parts.**  
Never place your hands, fingers or other body parts near the tool's moving parts.
27. **Never operate without all guards in place.**  
Never operate this tool without all guards or safety features in place and in proper working order. If maintenance or servicing requires the removal of a guard or safety feature, be sure to replace the guard or safety feature before resuming operation of the tool.
28. **Use right tool.**  
Don't force small tool or attachment to do the job of a heavy-duty tool.  
Don't use tool for purpose not intended—for example— don't use circular saw for cutting tree limbs or logs.
29. **Never use a power tool for applications other than those specified.**  
Never use a power tool for applications other than those specified in the Instruction Manual.
30. **Handle tool correctly.**  
Operate the tool according to the instructions provided herein. Do not drop or throw the tool. Never allow the tool to be operated by children, individuals unfamiliar with its operation or unauthorized personnel.
31. **Keep motor air vent clean.**  
The tool's motor air vent must be kept clean so that air can freely flow at all times. Check for dust build-up frequently.
32. **Operate power tools at the rated voltage.**  
Operate the power tool at voltages specified on their nameplates.  
If using the power tool at a higher voltage than the rated voltage, it will result in abnormally fast motor revolution and may damage the unit and burn out the motor.
33. **Do not run the saw while carrying it at your side.**
34. **Keep all screws, bolts and covers tightly in place.**  
Keep all screws, bolts, and plates tightly mounted. Check their condition periodically.
35. **Do not use power tools if the plastic housing or handle is cracked.**  
Cracks in the tool's housing or handle can lead to electric shock. Such tools should not be used until repaired.

**36. Blades and accessories must be securely mounted to the tool.**

Prevent potential injuries to yourself or others. Blades, cutting implements and accessories which have been mounted to the tool should be secure and tight.

**37. Never use a tool which is defective or operating abnormally.**

If the tool appears to be operating unusually, making strange noises, or otherwise appears defective, stop using it immediately and arrange for repairs by a Hitachi authorized service center.

**38. Carefully handle power tools.**

Should a power tool be dropped or struck against hard materials inadvertently, it may be deformed, cracked, or damaged.

**39. Do not wipe plastic parts with solvent.**

Solvents such as gasoline, thinner benzene, carbon tetrachloride, and alcohol may damage and crack plastic parts. Do not wipe them with such solvents.

Wipe plastic parts with a soft cloth lightly dampened with soapy water and dried thoroughly.

**40. Never wear gloves made of material liable to roll up such as cotton, wool, cloth or string, etc.**


**41. Definitions for symbols**

V ..... volts

Hz ..... hertz

A ..... amperes

no ..... no load speed

 ..... Class II Construction

---/min ... revolutions per minute

$\overline{\sim}$  ..... alternating or direct current

---

## **DOUBLE INSULATION FOR SAFER OPERATION**

---

To ensure safer operation of this power tool, HITACHI has adopted a double insulation design. "Double insulation " means that two physically separated insulation systems have been used to insulate the electrically conductive materials connected to the power supply from the outer frame handled by the operator. Therefore, either the symbol "⊞" or the words "Double insulation" appear on the power tool or on the nameplate.

Although this system has no external grounding, you must still follow the normal electrical safety precautions given in this Instruction Manual, including not using the power tool in wet environments.

To keep the double insulation system effective, follow these precautions:

- Only HITACHI AUTHORIZED SERVICE CENTER should disassemble or assemble this power tool, and only genuine HITACHI replacement parts should be installed.
- Clean the exterior of the power tool only with a soft cloth moistened with soapy water, and dry thoroughly.

Never use solvents, gasoline or thinners on plastic components; otherwise the plastic may dissolve.

**SAVE THESE INSTRUCTIONS  
AND  
MAKE THEM AVAILABLE TO  
OTHER USERS  
AND  
OWNERS OF THIS TOOL!**

# FUNCTIONAL DESCRIPTION

## NOTE:

The information contained in this Instruction Manual is designed to assist you in the safe operation and maintenance of the power tool.

**NEVER** operate, or attempt any maintenance on the tool unless you have first read and understood all safety instructions contained in this manual.

Some illustrations in this Instruction Manual may show details or attachments that differ from those on your own power tool.

## NAME OF PARTS

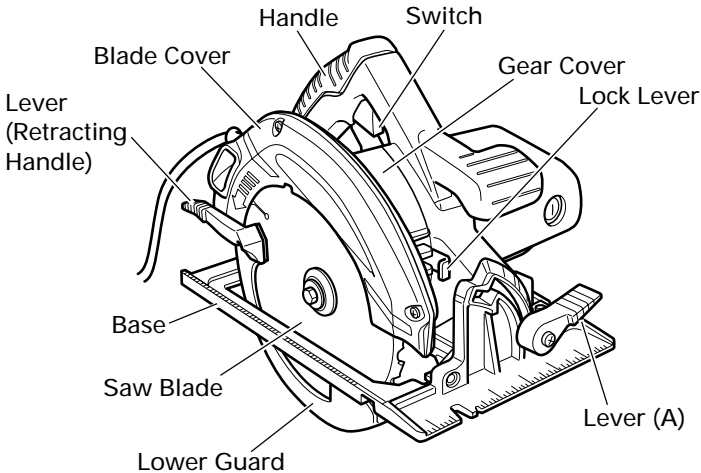


Fig. 8

## SPECIFICATIONS

Motor	Single-Phase, Series Commutator Motor
Power Source	Single-Phase 120V AC 60Hz, 120V DC
Max. Cutting Depth	2-3/8" (60mm)
Current	15 A
No-Load Speed	5800/min.
Weight (without cord)	10.1 lbs (4.6 kg)

# ASSEMBLY AND OPERATION

## APPLICATIONS

- Cutting Various types of wood.

## PRIOR TO OPERATION

### 1. Power source

Ensure that the power source to be utilized conforms to the power source requirements specified on the product nameplate.

### 2. Power switch

Ensure that the switch is in the OFF position. If the plug is connected to a receptacle while the switch is in the ON position, the power tool will start operating immediately and can cause serious injury.

### 3. Extension cord

When the work area is far away from the power source, use an extension cord of sufficient thickness and rated capacity. The extension cord should be kept as short as practicable.

**⚠ WARNING: Damaged cord must be replaced or repaired.**

### 4. Check the receptacle

If the receptacle only loosely accepts the plug, the receptacle must be repaired. Contact a licensed electrician to make appropriate repairs.

If such a faulty receptacle is used, it may cause overheating, resulting in a serious hazard.

### 5. Confirming condition of the environment:

Confirm that the work site is placed under appropriate conditions conforming to prescribed precautions.

### 6. Prepare a wooden workbench (Fig. 9)

Since the saw blade will extend beyond the lower surface of the work piece, place the work piece on a workbench when cutting. If a square block is utilized as a workbench, select level ground to ensure it is properly stabilized. An unstable workbench will result in hazardous operation.

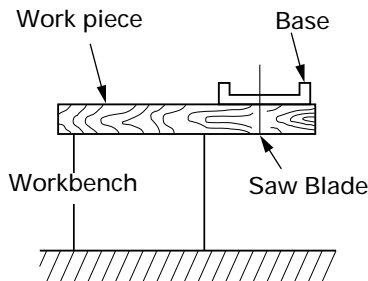


Fig. 9

**⚠ CAUTION:**

To avoid possible accident, always ensure that the portion of work piece remaining after cutting is securely anchored or held in position.

7. Check if lever (A)s are tightened.  
If the lever (A) to adjust cutting depth (Fig. 10) and lever (A) to adjust angle of inclination (Fig. 11) are loose, injury can result. Make sure that they are tightened securely.
8. Check performance of safety cover

**⚠ WARNING:** Make absolutely sure that the safety cover is not fixed. Also, check and see if it can move smoothly. If the saw blade is kept exposed injury can result.

The lower guard (refer to Fig. 8) serves to protect your body from coming into contact with the saw blade. Make absolutely certain that the cover smoothly performs to cover the saw blade. If the safety cover should not move smoothly, never use it without repairing it. In such a case, get in touch with the store where you bought the circular saw or the HITACHI Authorized Service Center for necessary repair.

9. Eye protection  
When you use the tool, make certain that you wear eye protection.
10. Check if saw blade is tightened  
Refer to [mounting and dismounting the saw blade] in Page 17, and make sure that the flange bolt is tightened securely.
11. Check for proper operation of the brake (C7BD2 only).  
Your saw has an automatic electric brake which is designed to stop the blade from coasting in about 3 seconds, after you release the trigger switch. It is useful when making certain cuts in wood where a coasting blade would result a wide imprecise cut. Occasionally, under certain conditions, the brake will not function properly and won't stop the saw in the 3 seconds discussed above.  
If this condition persists, turn the saw on and off four or five times. If the brake still does not stop the blade in about 3 seconds, the problem may be worn brushes. Replace the brushes and try the saw again. If the problem still persists, have the tool serviced at a HITACHI AUTHORIZED SERVICE CENTER.

---

## ADJUSTING THE SAW PRIOR TO USE

---

**⚠ WARNING:**  
To avoid serious accidents, ensure the switch is in OFF position, and disconnect the plug from the receptacle.

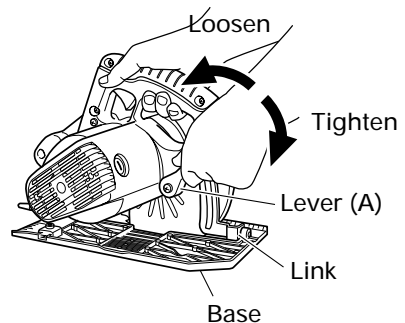


Fig. 10

## 1. Adjusting the cutting depth (Fig. 10)

### ⚠ WARNING:

If the lever (A) is loose, injury can result. Tighten it securely after adjustment.

To adjust cutting depth, loosen the lever (A) and, while holding the base with one hand, move the main body up and down to obtain the prescribed cutting depth. After adjusting to the prescribed cutting depth, tighten the lever (A) securely.

## 2. Adjusting the angle of inclination

### ⚠ WARNING:

If the lever (A) is loose, injury can result. Tighten it securely after adjustment.

You can incline saw blade from 0° to a maximum angle of 55° in relation to the base.

As shown in Fig. 11 by loosening the lever (A) on the bevel scale, the saw blade may be inclined to an angle of 45° in relation to the base.

If you use inclination angle of over 45°, as shown in Fig. 12 move the lever (A) to inside, the saw blade may be inclined to a maximum angle of 55° in relation to the base.

Always ensure that the lever (A) is thoroughly tightened after making the desired adjustment.

## 3. Regulating the guide (Rip fence) (Fig. 13, 14)

..... Optional Accessory

Install the wing bolt (B) and lock spring on the base. Insert the guide into the base, move it left and right and adjust the cutting position. Tighten the wing bolt (B) and fix the guide. The guide can be installed either from the left or the right side of the main body.

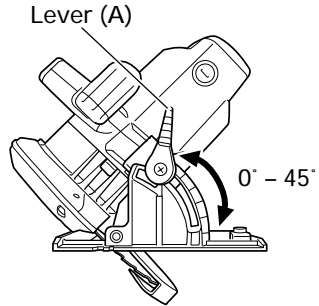


Fig. 11

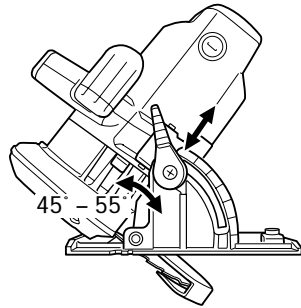


Fig. 12

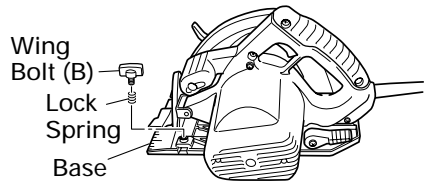


Fig. 13

Wing Bolt (B), Lock Spring

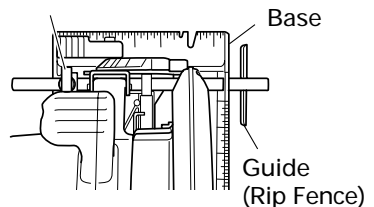


Fig. 14

## CUTTING PROCEDURES

### ⚠ WARNING:

- Never touch the moving parts.
- Should the saw blade be stopped or make an abnormal noise during operation, turn off the switch immediately.
- Don't remove circular saw from work piece during a cut while the saw blade is moving.
- Wear eye protection.
- Avoid cutting any material like metal, etc., that give off sparks.

### ⚠ CAUTION:

- Always take care in preventing the power cord from coming near the revolving saw blade.
- Before starting to saw, ensure that the saw blade has reached full speed revolution.

1. Place the saw body (base) on the work piece, and as in Fig. 15 align the intended line of cut with the saw blade, using the notch at the front of the base. This relationship of base to work pieces should remain unchanged regardless of the inclination of the base.
2. The switch should be turned to the ON position before the saw blade comes into contact with the work piece. The switch is turned ON when the trigger is pulled by one's finger, and is turned OFF when the trigger is released.
3. Moving the saw straight at a constant speed will produce optimum cutting.

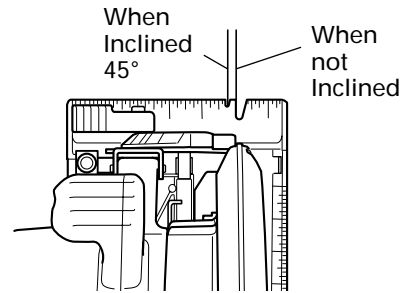


Fig. 15

### [POCKET CUTTING]

### ⚠ WARNING:

- To avoid serious accident, ensure the switch is OFF position, and disconnect the plug from the receptacle before any adjustment.
- Never tie or wedge the lower guard in a raised position.

1. Mark the desired cutting area clearly with lines all side. (See Fig. 16)
2. Set depth adjustment according to material to be cut.
3. Push the lever all the way back so the blade is exposed as shown in Fig. 16.
4. Tilt saw forward and align the notch (Fig. 15) with the pre-marked guide line.

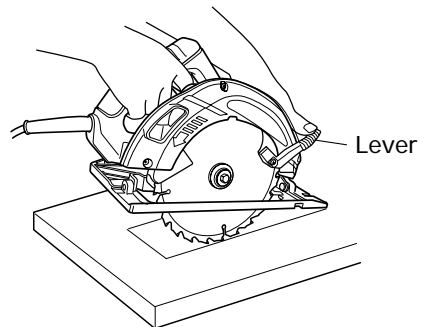


Fig. 16



5. Release the lever. When the lower guard contacts the work piece surface, it will be in proper position to open freely when cutting is commencing.
6. Holding the saw in position, with the blade not contacting the work piece surface, pull the trigger.
7. After the saw has reached full speed, gradually lower rear end of the saw until its base rests on the work surface.
8. Advance saw along the cutting line up to the corner.
9. Release trigger and allow blade to stop completely before withdrawing the blade from the work piece.
  - Never under any circumstances pull the saw backwards while the blade is in motion, as kickback may result.
10. Use a jig saw or hand saw to cut the corners out clean.
11. When starting each new cut, repeat as above.

## MOUNTING AND DISMOUNTING THE SAW BLADE

**⚠ WARNING:** To avoid serious accident ensure the switch is in the OFF position, and disconnect the plug from the receptacle.

### 1. Dismounting the saw blade

- (1) Set the cutting volume at maximum, and place the Circular Saw as shown in Fig. 17.
- (2) Depress the lock lever, lock the spindle, and remove the hexagonal-flange bolt and washer(B) with the wrench.
- (3) While holding the lever to keep the lower guard fully retracted into the blade cover, remove the saw blade. (Fig. 18)

### 2. Mounting the saw blade

- (1) Thoroughly remove any sawdust which has accumulated on the spindle, bolt and washers.
- (2) For mounting saw blade, the concave sides of both washers (A) and (B) must be fitted to the saw blade sides. Mount the saw blade on the spindle, and finally affix washer (B) (See Fig. 19)
- (3) To assure proper rotation direction of the saw blade, the arrow direction on the saw blade must coincide with the arrow direction on the blade cover.

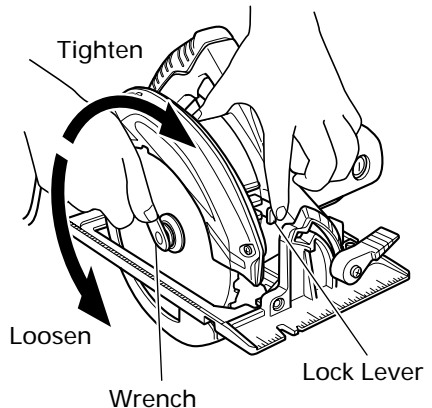


Fig. 17

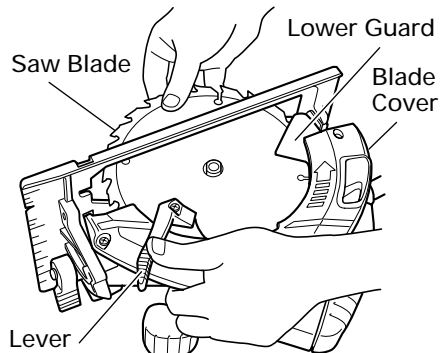


Fig. 18

- (4) Using the fingers, tighten the hexagonal bolt retaining the saw blade as much as possible. Then depress the lock lever, lock the spindle, and thoroughly tighten the bolt.
- (5) Confirm that the lock lever is in the original position.

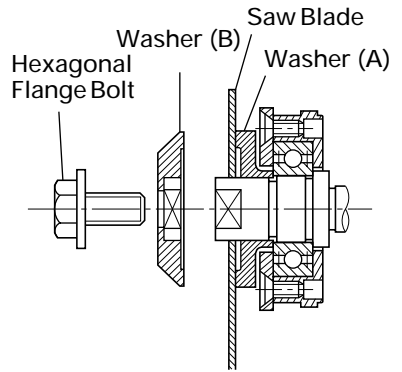


Fig. 19

# MAINTENANCE AND INSPECTION

**⚠ WARNING:** To avoid serious accident, ensure the switch is in the OFF position and disconnect the plug from the receptacle during maintenance and inspection.

1. Inspecting the saw blade:

Since use of a dull saw blade will degrade efficiency and cause possible motor malfunction, sharpen or replace the saw blade as soon as abrasion is noted.

**⚠ CAUTION:**

If a dull saw blade is used, reactive force is increased during cutting operation. Avoid the use of the dull saw blade without repair.

2. Check the screws

Loose screws are dangerous. Regularly inspect them and make sure they are tight.

**⚠ CAUTION:** Using this power tool with loosened screws is extremely dangerous.

3. Inspecting the carbon brushes (Fig. 20)

The motor employs carbon brushes which are consumable parts. Replace the carbon brush with a new one when it becomes worn to its wear limit. Always keep carbon brushes clean and ensure that they slide freely within the brush holders.

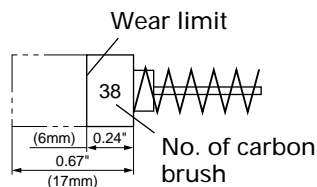


Fig. 20

**⚠ CAUTION:**

Using this circular saw with a carbon brush which is worn in excess of the wear limit will damage the motor.

**NOTE:** Use HITACHI carbon brush No. 38 indicated in Fig. 20.

4. Replacing carbon brushes:

Remove the brush caps with a slotted-head screwdriver. The carbon brushes can then be easily removed. (Fig. 21)

5. Performance checkup and maintenance of safety cover

Keep the safety cover in good shape for smooth performance at all times. Be sure to make prompt repair in case of any malfunction.

6. Adjusting the base and saw blade to maintain perpendicularity

The angle between the base and the saw blade has been adjusted to 90°, however should this

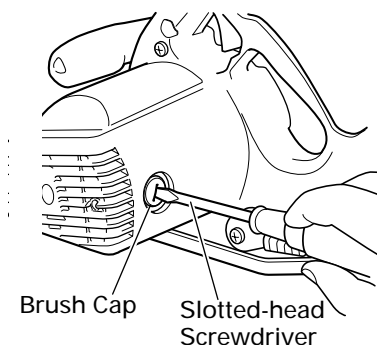


Fig. 21

perpendicularity be lost for some reason, adjust in the following manner.

- (1) Turn the base face up (Fig. 22) and loosen the lever (A).
- (2) Apply a square to the base and the saw blade and, turning the slotted set screw with a slotted-head screwdriver, shift the position of the base to produce the desired right angle.

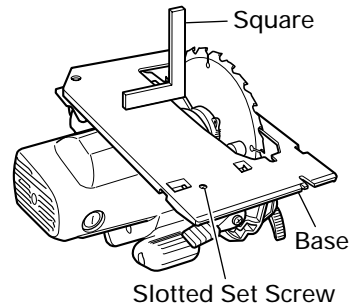


Fig. 22

## 7. Service parts list

### **⚠ CAUTION:**

**Repair, modification and inspection of Hitachi Power Tools must be carried out by an Hitachi Authorized Service Center.**

**This Parts List will be helpful if presented with the tool to the Hitachi Authorized Service Center when requesting repair or other maintenance. In the operation and maintenance of power tools, the safety regulations and standards prescribed in each country must be observed.**

### **MODIFICATIONS:**

Hitachi Power Tools are constantly being improved and modified to incorporate the latest technological advancements.

Accordingly, some parts (i.e. code numbers and/or design) may be changed without prior notice.

# ACCESSORIES

**⚠ WARNING:** Accessories for this power tool are mentioned in this Instruction Manual. The use of any other attachment or accessory can be dangerous and could cause injury or mechanical damage.

**NOTE:**

Accessories are subject to change without any obligation on the part of the HITACHI.

## STANDARD ACCESSORIES

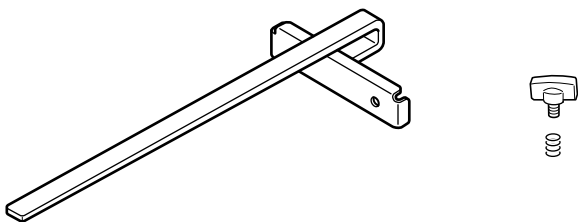
(1) Saw Blade ..... 1

External Diam	Hole Diam.	Code No.
7-1/4" (185mm)	5/8" (15.9mm)	320843

(2) Wrench (Code No. 320976) ..... 1

## OPTIONAL ACCESSORIES.....sold separately

- (1) Guide (Code No. 302691) (Includes (2) and (3).)
- (2) Wing Bolt (B) (Code No. 302697)
- (3) Lock Spring (Code No. 947859)



**NOTE:**

Specifications are subject to change without any obligation on the part of the HITACHI.

---

## INFORMATIONS IMPORTANTES DE SÉCURITÉ

---

Lire et comprendre toutes les instructions de sécurité, les avertissements et les instructions de fonctionnement dans ce mode d'emploi avant d'utiliser ou d'entretenir cet outil motorisé.

La plupart des accidents causés lors de l'utilisation ou de l'entretien de l'outil motorisé proviennent d'un non respect des règles ou précautions de base de sécurité. Un accident peut la plupart du temps être évité si l'on reconnaît une situation de danger potentiel avant qu'elle ne se produise, et en observant les procédures de sécurité appropriées.

Les précautions de base de sécurité sont mises en évidence dans la section "SECURITE" de ce mode d'emploi et dans les sections qui contiennent les instructions de fonctionnement et d'entretien.

Les dangers qui doivent être évités pour prévenir des blessures corporelles ou un endommagement de la machine sont identifiés par AVERTISSEMENTS sur l'outil motorisé et dans ce mode d'emploi.

**NE JAMAIS** utiliser cet outil motorisé d'une manière qui n'est pas spécifiquement recommandée par HITACHI.

---

## SIGNIFICATION DES MOTS D'AVERTISSEMENT

---

**AVERTISSEMENT** indique des situations potentiellement dangereuses qui, si elles sont ignorées, pourraient entraîner la mort ou de sérieuses blessures.

**PRECAUTION** indique des situations dangereuses potentielles qui, si elles ne sont pas évitées, peuvent entraîner de mineures et légères blessures ou endommager la machine.

**REMARQUE** met en relief des informations essentielles.

# SECURITE

## RÈGLES GENEALRE DE SÉCURITÉ

**⚠ AVERTISSEMENT:** Lire et coxmprendre toutes les instructions.


Un non respect de toutes les instructions ci-dessous peut entraîner une électrocution, un incendie et/ou de sérieuses blessures personnelles.

## CONSERVER CES INSTRUCTIONS

### 1. Zone de travail

- (1) **Garder la zone de travail propre et bien éclairée.** Les établis mal rangés et les zones sombres invitent aux accidents.
- (2) **Ne pas utiliser les outils motorisés dans une atmosphère explosive, telle qu'en présence de liquides inflammables, de gaz ou de poussières.** Les outils motorisés créent des étincelles qui risquent d'enflammer la poussière ou les vapeurs.
- (3) **Tenir les spectateurs, les enfants et les visiteurs éloignés, lors de l'utilisation de l'outil motorisé.** Une distraction peut faire perdre le contrôle de la machine.

### 2. Sécurité électrique

- (1) **Les outils à double isolation sont équipés d'une fiche polarisée (une lame est plus large que l'autre).** Cette fiche ne pénétrera dans une prise secteur polarisée que dans un sens. Si la fiche ne rentre pas complètement dans la prise, la retourner. Si elle ne rentre toujours pas, contacter un électricien qualifié pour installer une prise polarisée. **Ne pas modifier la fiche d'aucune façon.** La double isolation  élimine le besoin d'un cordon d'alimentation à trois fils et d'un système d'alimentation avec mises à la terre.
- (2) **Eviter tout contact corporel avec les surfaces mises à la terre telles que les canalisations, les radiateurs, les réchauds et les réfrigérateurs.** Il y a un risque accru d'électrocution si son corps est mis à la terre.
- (3) **Ne pas exposer les outils motorisés à la pluie ou à l'humidité.** De l'eau pénétrant à l'intérieur de l'outil motorisé augmente le risque d'électrocution.
- (4) **Ne pas maltraiter le cordon d'alimentation. Ne jamais utiliser le cordon pour porter les outils ou tirer sur la fiche du réceptacle. Garder le cordon à l'écart de la chaleur, de l'huile, des arêtes coupantes ou des pièces en mouvement. Remplacer les cordons endommagés immédiatement.** Des cordons endommagés augmentent le risque d'électrocution.
- (5) **Lors de l'utilisation d'un outil motorisé, utiliser un cordon de rallonge extérieur marqué "W-A" ou "W".** Ces cordons sont prévus pour une utilisation extérieure et réduisent les risques d'électrocution.

### 3. Sécurité personnelle

- (1) **Rester sur ses gardes, regarder ce que l'on fait et utiliser son sens commun lors de l'utilisation d'un outil motorisé. Ne pas utiliser un outil en état de fatigue ou sous l'influence de drogues, d'alcool ou de médicaments.** Un moment d'inattention lors de l'utilisation de l'outil motorisé peut entraîner de sérieuses blessures personnelles.
- (2) **S'habiller correctement. Ne pas porter des vêtements larges ou des bijoux. Attacher les cheveux longs. Tenir ses cheveux, vêtements et ses gants éloignés des parties mobiles.** Les vêtements larges, les bijoux et les cheveux longs peuvent se prendre dans les parties mobiles.
- (3) **Eviter tout démarrage accidentel. S'assurer que le l'interrupteur d'alimentation est sur la position d'arrêt avant de brancher la machine.** Transporter l'appareil avec les doigts sur l'interrupteur d'alimentation ou brancher un outil avec l'interrupteur sur la position marche invite aux accidents.
- (4) **Retirer les clefs d'ajustement ou les commutateurs avant de mettre l'outil sous tension.** Une clef qui est laissée attachée à une partie tournante de l'outil peut provoquer une blessure personnelle.
- (5) **Ne pas trop présumer de ses forces. Garder en permanence une position et un équilibre correct.** Une position et un équilibre correct permettent un meilleur contrôle de l'outil dans des situations inattendues.
- (6) **Utiliser un équipement de sécurité. Toujours porter des lunettes de protection.** Il faudra utiliser un masque anti-poussière, des chaussures de sécurité anti-dérapantes, un couvre-chef dur ou des bouchons d'oreille dans les conditions appropriées.

### 4. Utilisation de l'outil et entretien

- (1) **Utiliser un étau ou toutes autres façons de fixer et maintenir la pièce à usiner sur une plate-forme stable.** Tenir la pièce avec la main ou contre son corps est instable et peut conduire à une perte de contrôle de l'outil.
- (2) **Ne pas forcer sur l'outil. Utiliser l'outil correct pour l'application souhaitée.** L'outil correct réalisera un meilleur et plus sûr travail dans le domaine pour lequel il a été conçu.
- (3) **Ne pas utiliser un outil s'il ne se met pas sous ou hors tension avec un interrupteur.** Un outil qui ne peut pas être commandé avec un interrupteur est dangereux et doit être réparé.
- (4) **Déconnecter la fiche de la source d'alimentation avant de réaliser tout ajustement, changement d'accessoires ou pour ranger l'outil.** De telles mesures de sécurité réduisent le risque que l'outil ne démarre accidentellement.
- (5) **Ranger les outils inutilisés hors de la portée des enfants et des autres personnes inexpérimentées.** Les outils sont dangereux dans les mains de personnes inexpérimentées.
- (6) **Conserver les outils avec soin. Garder les outils de coupe aiguisés et propres.** Des outils bien entretenus, avec des lames coupantes aiguisées risquent moins de se gripper et sont plus faciles à contrôler.
- (7) **Vérifier les défauts d'alignement ou grippage des parties mobiles, les ruptures des pièces et toutes les autres conditions qui peuvent affecter le fonctionnement des**



outils. En cas de dommage, faire réparer l'outil par un centre de service HITACHI autorisé avant de l'utiliser. Beaucoup d'accidents sont causés par des outils mal entretenus.

- (8) **Utiliser uniquement les accessoires recommandés par le fabricant pur le modèle utilisé.** Des accessoires qui peuvent convenir à un outil, peuvent devenir dangereux lorsqu'ils sont utilisés avec un autre outil.

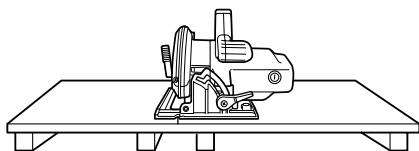
## 5. Réparation

- (1) **La réparation de l'outil ne doit être réalisée que par un centre de service HITACHI autorisé.** Une réparation ou un entretien réalisé par un personnel non qualifié peut entraîner des risques de blessures.
- (2) **Lors de la réparation d'un outil, utiliser uniquement des pièces de rechange identiques. Suivre les instructions de la section d'entretien de ce mode d'emploi.** L'utilisation de pièces non autorisées ou un non respect des instructions d'entretien peut créer un risque d'électrocution ou de blessures.

## RÈGLES DE SÉCURITÉ SPÉCIFIQUES ET SYMBOLES

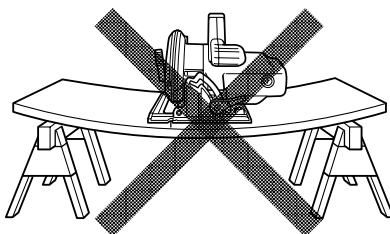
1. **DANGER ! Ne pas approcher les mains de la zone de coupe ni de la lame. Mettre la seconde main sur la poignée auxiliaire ou sur le carter moteur.** Si les deux mains tiennent la lame, elles risquent d'être coupées par la lame.  
**Placer le corps de l'un ou de l'autre côté de la lame, et non dans l'axe de la lame.** Un RETOUR DE LAME peut faire sauter la lame en arrière. (Voir "Causes et prévention du retour de lame pour l'opérateur".)  
**Ne pas passer la main sous la pièce.** La protection ne protégera pas l'opérateur de la lame sous la pièce.
2. **Vérifier que la garde inférieure se referme bien avant chaque utilisation. Ne pas faire fonctionner la lame si la protection inférieure ne se déplace pas librement et ne se referme pas instantanément. Ne jamais fixer ni attacher la protection inférieure en position ouverte.** Si la lame tombe accidentellement, la protection inférieure risque de se voiler. Relever la protection inférieure avec la poignée de rétraction et s'assurer qu'elle se déplace librement et qu'elle ne touche pas la lame ni aucune autre pièce à tous les angles et toutes les profondeurs de coupe.
3. **Vérifier le fonctionnement et l'état du ressort de la protection inférieure. Si la protection et le ressort ne fonctionnent pas correctement, il faudra les faire réparer avant de les utiliser.** La protection inférieure risque de fonctionner de façon ralentie s'il y a des pièces endommagées, des dépôts gommeux ou une accumulation de débris.
4. **La protection inférieure ne devra être rétractée manuellement que pour des coupes spéciales comme les "coupes de poche" et les "coupes composées". Relever la protection inférieure avec la poignée de rétraction. Dès que la lame entre en contact avec le matériau, relâcher la protection inférieure.** Pour toutes les autres opérations de coupe, laisser la protection inférieure fonctionner automatiquement.
5. **Toujours s'assurer que la protection inférieure recouvre la lame avant de poser la scie sur un établi ou sur le sol.** Une lame qui tournerait sans être protégée fera avancer la scie vers l'arrière, et elle coupera tout ce qu'elle rencontre sur son passage. Bien évaluer le temps nécessaire pour que la lame cesse de tourner après avoir relâché l'interrupteur.

6. **Ne JAMAIS tenir la pièce à couper avec les mains ou sur le genou.** Il est important de soutenir la pièce correctement pour éviter tout risque d'exposition du corps, tout voilage de la lame et toute perte de contrôle de l'outil.
7. **Tenir l'outil par ses surfaces de saisie isolées lors d'un travail dans un endroit où la lame risque d'entrer en contact avec un fil caché ou avec son propre cordon.** Tout contact avec un fil sous tension transmettra également le courant aux parties métalliques de l'outil sous tension et provoquera une décharge électrique.
8. **Pour tout travail de refente, toujours utiliser une garde de refente ou un guide à bord droit.** Cela améliorera la précision de coupe et réduira les risques de voilage de la lame.
9. **Toujours utiliser des lames avec des orifices d'alésage de la taille et de la forme correctes (carrés ou ronds).** Des lames ne correspondant pas au système de montage de la scie auront une rotation excentrée, ce qui provoquera une perte de contrôle de l'outil.
10. **Ne jamais utiliser de rondelles ni de boulons de lame endommagés ou incorrects.** Les rondelles et le boulon de lame ont été spécialement conçus pour la scie, et ils garantiront les performances et la sécurité maximales.
11. **Causes des retours de lame et protection de l'opérateur :**  
*Un retour de lame est la réaction brusque d'une lame pincée, coincée ou mal alignée, qui fait que la lame, qui n'est plus contrôlée, se relève et se projette de la pièce en direction de l'opérateur.*  
*Lorsque la lame est pincée ou solidement coincée par la fermeture du plateau de découpe, elle cale et la réaction du moteur entraîne rapidement l'outil vers l'arrière, c'est-à-dire vers l'opérateur.*  
*Si la lame est voilée ou mal alignée sur la découpe, les dents du bord arrière de la lame risquent de s'enfoncer dans la surface supérieure du bois, de sorte que la lame remonte du plateau de découpe et qu'elle saute vers l'arrière, c'est-à-dire vers l'opérateur.*  
*Le retour de lame est le résultat d'une mauvaise utilisation et/ou d'une procédure ou d'une opération de coupe incorrectes ; on pourra l'éviter en prenant les précautions suivantes :*
12. **Tenir la scie fermement des deux mains et placer le corps et les bras de façon à pouvoir résister aux forces du RETOUR DE LAME.** S'il prend les précautions appropriées, l'opérateur pourra maîtriser les forces du RETOUR DE LAME.
13. **Si la lame est voilée, ou si la coupe est interrompue pour une raison ou pour un autre, relâcher la gâchette et tenir la scie sans bouger dans le matériau jusqu'à ce que la lame arrive à un arrêt complet. Ne jamais tenter de retirer la scie du matériau ni tirer la scie vers l'arrière si la lame tourne ou qu'il risque de se produire un RETOUR DE LAME.** Rechercher la cause du voilage de la lame et corriger le problème.
14. **Lorsqu'on remet la scie en marche alors que la lame est enfoncée dans la pièce, centrer la lame sur le plateau de découpe et vérifier que les dents ne sont pas engagées dans le matériau.** Si la lame de scie est coincée, elle risque de se relever ou de provoquer un RETOUR DE LAME au redémarrage.
15. **Soutenir les panneaux volumineux de façon à réduire les risques de pincement de la lame et de RETOUR DE LAME.** Les panneaux volumineux ont tendance à plier sous leur propre poids. Il faudra placer les supports sous le panneau, des deux côtés du panneau, près de la ligne de coupe et près du bord du panneau comme indiqué sur la Fig. 1.  
 Pour réduire tout risque de pincement de la lame ou de retour de lame. Lorsqu'une opération de coupe nécessite que la scie repose sur la pièce, poser la scie sur le morceau le plus grand et couper le petit morceau.



Pour éviter tout retour de lame, soutenir la planche ou le panneau près de la ligne de coupe.

Fig. 1



Ne pas soutenir la planche ou le panneau loin de la ligne de coupe.

Fig. 2

**16. Ne pas utiliser de lame émoussée ou endommagée.** Une lame non affûtée ou incorrectement montée engendrera des traits de scie étroits, provoquant une friction excessive, un voilage de lame et un RETOUR DE LAME.

**17. Les leviers de verrouillage de la profondeur de lame et de l'angle de biseau doivent être bien serrés et vissés à fond avant la coupe.** Si l'on modifie le réglage de la lame pendant la coupe, cela risque de coincer la lame et de provoquer un RETOUR DE LAME.

**18. Faire particulièrement attention lors d'une "coupe de poche" dans un mur existant ou tout autre endroit aveugle.** La lame pourrait couper des objets, ce qui risque de provoquer un RETOUR DE LAME.

NE JAMAIS passer la main ou les doigts derrière la scie. S'il se produit un retour de lame, la scie pourrait facilement sauter brusquement en arrière sur la main et provoquer des blessures graves.

**19. Faire attention au retour de freinage. (C7BD2 seulement)**

Le modèle C7BD2 possède un frein électrique qui fonctionne lorsqu'on relâche l'interrupteur. Comme il peut y avoir un choc en retour lorsque le frein fonctionne, bien tenir le corps de l'outil fermement.

**20. Réglages. Avant de couper, bien vérifier que les réglages de profondeur et de biseau sont solides.**

**21. Éviter de couper des clous. Avant de couper, vérifier s'il y a des clous dans le matériau et les retirer le cas échéant.**

**22. Lors du fonctionnement de la scie, tenir le cordon éloigné de la zone de coupe et le placer de façon qu'il ne soit pas pris dans la pièce pendant l'opération de coupe.**

Utiliser un support de main approprié, un support de pièce approprié, et acheminer le cordon loin de la zone de travail.

**AVERTISSEMENT :** Il est important de soutenir la pièce correctement et de tenir solidement la scie pour éviter toute perte de contrôle pouvant entraîner des blessures physiques. La Fig. 4 donne un exemple type de soutien manuel de la scie.

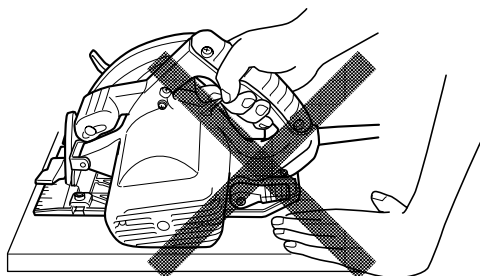


Fig. 3

EXEMPLE TYPE DE SOUTIEN MANUEL DE LA SCIE ET, SOUTIEN LA PIÈCE ET D'ACHEMINEMENT DU CORDON.

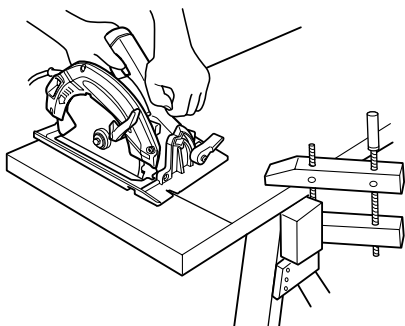


Fig. 4

23. Placer la section large de l'embase de la scie sur la section de la pièce qui est fermement soutenue, et non sur la section qui va tomber après la coupe. A titre d'exemples, la Fig. 5 montre la façon CORRECTE de couper l'extrémité de la planche, et la Fig. 6 montre la façon INCORRECTE. Si la pièce est trop courte ou trop petite, la fixer. NE PAS ESSAYER DE TENIR LES SECTIONS COURTES À LA MAIN!

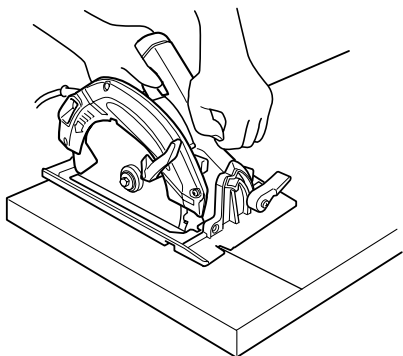


Fig. 5

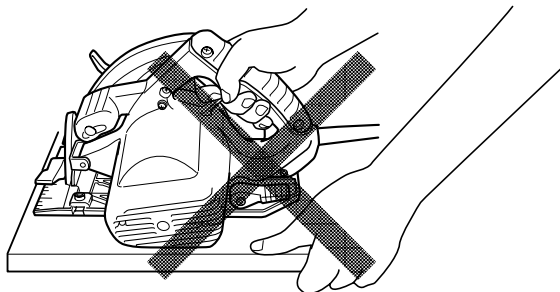


Fig. 6

24. Ne jamais tenter de scier avec la scie circulaire dirigée vers le bas dans un étau. Ceci serait extrêmement dangereux et pourrait entraîner de graves accidents. (Fig. 7)

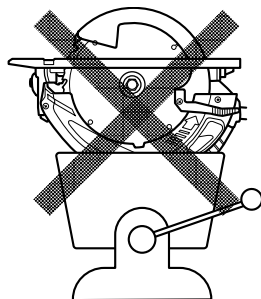


Fig. 7

25. **Avant de poser l'outil par terre une fois la coupe terminée, bien s'assurer que la garde inférieure (télescopique) s'est refermée et que la lame est complètement arrêtée.**
26. **Ne jamais toucher les parties mobiles.**  
Ne jamais placer ses mains, ses doigts ou toute autre partie de son corps près des parties mobiles de l'outil.
27. **Ne jamais utiliser l'outil sans que tous les dispositifs de sécurité ne soient en place.**  
Ne jamais faire fonctionner cet outil sans que tous les dispositifs et caractéristiques de sécurité ne soient en place et en état de fonctionnement. Si un entretien ou une réparation nécessite le retrait d'un dispositif ou d'une caractéristique de sécurité, s'assurer de bien remettre en place le dispositif ou la caractéristique de sécurité avant de recommencer à utiliser l'outil.
28. **Utiliser l'outil correct**  
Ne pas forcer sur un petit outil ou accessoire pour faire le travail d'un outil de grande puissance. Ne pas utiliser un outil pour un usage pour lequel il n'a pas été prévu: par exemple, ne pas utiliser une scie circulaire pour couper des branches d'arbre ou des bûches.
29. **Ne jamais utiliser un outil motorisé pour des applications autres que celles spécifiées.**  
Ne jamais utiliser un outil motorisé pour des applications autres que celles spécifiées dans le mode d'emploi.
30. **Manipuler l'outil correctement**  
Utiliser l'outil de la façon indiquée dans ce mode d'emploi. Ne pas laisser tomber ou lancer l'outil. Ne jamais permettre que l'outil soit utilisé par des enfants, des personnes non familiarisées avec son fonctionnement ou un personnel non autorisé.
31. **Garder propres les Events d'air du moteur**  
Les événements d'air du moteur doivent être maintenus propres de façon que l'air puisse circuler librement tout le temps. Vérifier les accumulations de poussière fréquemment.
32. **Utiliser l'outil motorisé A la tension nominale.**  
Utiliser l'outil motorisé à la tension spécifiée sur sa plaque signalétique.  
Si l'on utilise l'outil motorisé avec une tension supérieure à la tension nominale, il en résultera une rotation anormalement trop rapide du moteur et cela risque d'endommager l'outil et le moteur risque de griller.
33. **Ne pas transporter la scie a la main avec la lame qui tourne.**
34. **Maintenir toutes les vis, tous les boulons et les couvercles fermement en place.**  
Maintenir toutes les vis, tous les boulons et les couvercles fermement montés. Vérifier leurs conditions périodiquement.
35. **Ne pas utiliser les outils motorisés si le revêtement de plastique ou la poignée est fendu.**  
Des fentes dans le revêtement ou la poignée peuvent entraîner une électrocution. De tels outils ne doivent pas être utilisés avant d'être réparés.
36. **Les lames et les accessoires doivent être fermement montés sur l'outil.**  
Éviter les blessures potentielles personnelles et aux autres. Les lames, les instruments de coupe et les accessoires qui ont été montés sur l'outil doivent être fixés et serrés fermement.
37. **Ne jamais utiliser un outil défectueux ou qui fonctionne anormalement.**  
Si l'outil n'a pas l'air de fonctionner normalement, fait des bruits étranges ou sans cela paraît défectueux, arrêter de l'utiliser immédiatement et le faire réparer par un centre de service Hitachi autorisé.

### 38. Manipuler l'outil motorisé avec précaution.

Si un outil motorisé tombe ou frappe un matériau dur accidentellement, il risque d'être déformé, fendu ou endommagé.

### 39. Ne pas essuyer les parties en plastique avec du solvant.

Les solvants comme l'essence, les diluants, la benzine, le tétrachlorure de carbone et l'alcool peuvent endommager et fissurer les parties en plastique. Ne pas les essuyer avec de tels solvants.

Essuyer les parties en plastique avec un chiffon doux légèrement imbibé d'une solution d'eau savonneuse et sécher minutieusement.

### 40. Ne jamais porter de gants faits d'un matériau susceptible de se rouler, comme du coton, de la laine, du drap ou de la ficelle, etc.

### 41. Définition des symboles

V ..... volts

Hz ..... hertz

A ..... ampères

no ..... vitesse sans charge

 ..... Construction de classe II

---/min .... tours par minute

$\overline{\sim}$  ..... courant continu ou direct

---

## **DOUBLE ISOLATION POUR UN FONCTIONNEMENT PLUS SÛR**

---

Pour assurer un fonctionnement plus sûr de cet outil motorisé, HITACHI a adopté une conception à double isolation. "Double isolation" signifie que deux systèmes d'isolation physiquement séparés ont été utilisés pour isoler les matériaux conducteurs d'électricité connectés à l'outil motorisé à partir du cadre extérieur manipulé par l'utilisateur. C'est pourquoi, le symbole "☐" ou les mots "Double insulation" (double isolation) apparaissent sur l'outil motorisé ou sur la plaque signalétique.

Bien que ce système n'ait pas de mise à terre extérieure, il est quand même nécessaire de suivre les précautions de sécurité électrique données dans ce mode d'emploi, y-compris de ne pas utiliser l'outil motorisé dans un environnement humide.

Pour garder le système de double isolation effectif, suivre ces précautions:

- Seuls les CENTRES DE SERVICE AUTORISÉS HITACHI peuvent démonter et remonter cet outil motorisé et uniquement des pièces de rechange HITACHI garanties d'origine doivent être utilisées.
- Nettoyer l'extérieur de l'outil motorisé uniquement avec un chiffon doux légèrement imbibé d'une solution savonneuse et essuyer minutieusement.  
Ne jamais utiliser des solvants, de l'essence ou des diluants sur les parties en plastique; sinon le plastique risquerait de se dissoudre.

**CONSERVER CES INSTRUCTIONS  
ET  
LES METTRE A LA DISPOSITION  
DES AUTRES UTILISATEURS  
ET  
PROPRIETAIRES DE CET OUTIL!**

# DESCRIPTION FONCTIONNELLE

## REMARQUE:

Les informations contenues dans ce mode d'emploi sont conçues pour assister l'utilisateur dans une utilisation sans danger et un entretien de l'outil motorisé.

**NE JAMAIS** utiliser ni entreprendre une révision de l'outil sans avoir d'abord lu et compris toutes les instructions de sécurité contenues dans ce manuel.

Certaines illustrations dans ce mode d'emploi peuvent montrer des détails ou des accessoires différents de ceux de l'outil motorisé utilisé.

## NOM DES PARTIES

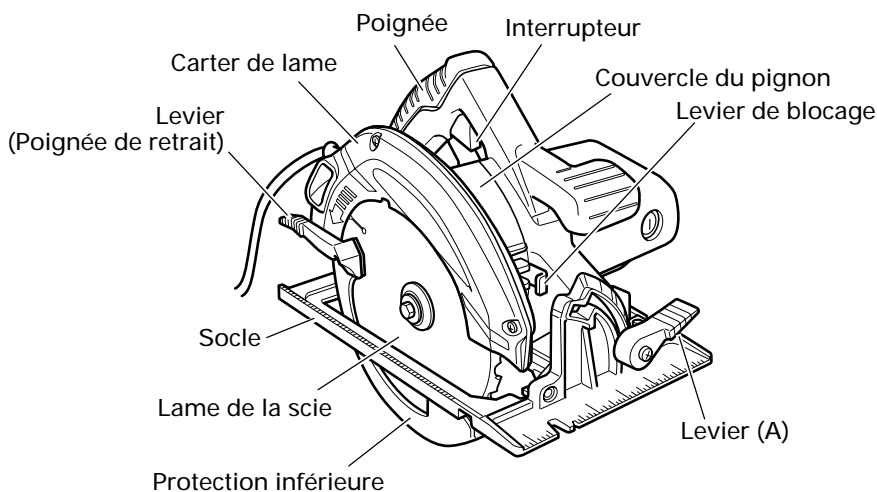


Fig. 8

## SPECIFICATIONS

Moteur	Moteur série monophasé à collecteur
Source d'alimentation	Secteur, 120V 60Hz, monophasé, 120V DC
Profondeur max. de coupe	2-3/8" (60mm)
Curant	15 A
Vitesse sans charge	5800/min.
Poids	10,1 lbs (4,6 kg)



# ASSEMBLAGE ET FONCTIONNEMENT

## APPLICATIONS

- Coupe de divers types de bois.

## AVANT L'UTILISATION

### 1. Source d'alimentation

S'assurer que la source d'alimentation qui doit être utilisée est conforme à la source d'alimentation requise spécifiée sur la plaque signalétique du produit.

### 2. Interrupteur d'alimentation

S'assurer que l'interrupteur est sur la position OFF (arrêt). Si la fiche est connectée sur une prise alors que l'interrupteur est sur la position ON (marche), l'outil motorisé démarrera immédiatement risquant de causer de sérieuses blessures.

### 3. Cordon prolongateur

Quand la zone de travail est éloignée de la source d'alimentation, utiliser un cordon prolongateur d'épaisseur et de capacité nominale suffisante. Le cordon prolongateur doit être aussi court que possible.

**⚠ AVERTISSEMENT:** Tout cordon endommagé devra être remplacé ou réparé.

### 4. Vérifier la prise

Si la prise reçoit la fiche avec beaucoup de jeu, elle doit être réparée. Contacter un électricien licencié pour réaliser les réparations nécessaires.

Si une telle prise défectueuse est utilisée, elle peut causer une surchauffe entraînant des dangers sérieux.

### 5. Vérification des conditions d'environnement

Vérifier que l'état de l'aire de travail est conforme aux précautions.

### 6. Préparer un établi de travail en bois (Fig. 9).

La lame de scie se déplaçant au-delà de la surface inférieure du matériau, placer le matériau sur un établi en bois pour effectuer la coupe. Si l'on utilise un bloc carré comme établi de travail, sélectionner un sol de niveau pour bien stabiliser le travail. Un établi de travail instable risque de rendre le travail dangereux.

**⚠ PRECAUTION:**

Pour éviter tout risque d'accident, toujours s'assurer que la section du matériau qui reste après la coupe est solidement ancrée ou maintenue en place.

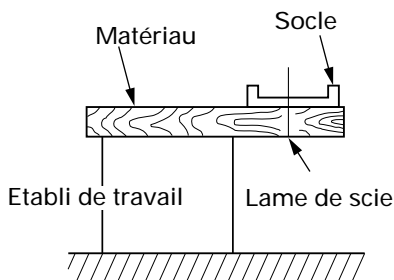


Fig. 9

### 7. Vérifier si les leviers (A) sont bien serrés.

Si le levier (A) de réglage de la profondeur de coupe (Fig. 10) et le levier (A) de réglage de l'angle de biseau (Fig. 11) sont desserrés, cela risque d'entraîner des blessures. Bien s'assurer qu'ils sont serrés à fond.

### 8. Vérifier le bon fonctionnement du carter de sécurité

**⚠ AVERTISSEMENT: Il faudra impérativement vérifier que le carter de sécurité n'est pas fixé. Par ailleurs, vérifier également qu'il se déplace en douceur. Si la lame de scie reste exposée, il y a risque de blessure.**

La protection inférieure (voir Fig. 8) sert à protéger le corps de l'opérateur de tout contact avec la lame de scie. Vérifier impérativement que le carter de sécurité fonctionne de façon que la lame de scie soit toujours couverte. Si le carter de sécurité ne fonctionne pas en douceur, ne jamais utiliser l'outil sans avoir réparé le carter.

Dans ce cas, contacter le magasin où l'on a acheté la scie circulaire ou un service après-vente HITACHI agréé pour le faire réparer.

### 9. Lunettes de protection

Lorsqu'on utilise l'outil, bien porter des lunettes de protection.

### 10. Vérifier si la lame est serrée

Voir [Fixation et retrait de la lame de scie] à la page 37, et vérifier si le boulon à bride est bien serré à fond.

### 11. Vérifier que le frein fonctionne correctement (C7BD2 seulement).

La scie possède un frein électrique automatique conçu pour arrêter la rotation libre de la lame au bout de 3 secondes environ après le relâchement de la gâchette. Il est pratique pour certaines coupes de bois où une lame en rotation libre entraînerait une imprécision de coupe.

Il peut arriver que dans certaines conditions le frein ne fonctionne pas correctement et n'arrête pas la lame dans les 3 secondes, comme signalé ci-dessus.

Si cette situation se prolonge, allumer la scie et l'éteindre quatre ou cinq fois de suite. Si le frein n'arrête toujours pas la lame dans les 3 secondes, les balais sont peut-être usés. Remplacer les balais et recommencer. Si le problème persiste, faire réparer l'outil par un SERVICE APRES-VENTE HITACHI AGREE.

## RÉGLAGE DE LA SCIE AVANT L'UTILISATION

### ⚠ AVERTISSEMENT :

Pour éviter tout risque d'accident grave, s'assurer que l'interrupteur est à la position OFF et débrancher la fiche de la prise secteur.

#### 1. Réglage de la profondeur de coupe (Fig. 10)

### ⚠ AVERTISSEMENT:

Si le levier (A) est lâche, il y a risque de blessure. Le serrer à fond après le réglage.

Pour régler la profondeur de coupe, desserrer le levier (A) et, tout en tenant le socle d'une main, déplacer l'outil principal vers le haut ou vers le bas de façon à obtenir la profondeur de coupe spécifiée. Après avoir réglé la profondeur de coupe spécifiée, resserrer le levier (A) à fond.

#### 2. Réglage de l'angle d'inclinaison

### ⚠ AVERTISSEMENT:

Si le levier (A) est lâche, il y a risque de blessure. Le serrer à fond après le réglage.

Il est possible d'incliner la lame de 0° à un angle maximum de 55° par rapport au socle.

Comme indiqué sur la Fig. 11, en desserrant le levier (A) de l'échelle d'angle de biseau, il est possible d'incliner la lame de scie à un angle de 45° par rapport au socle.

Si l'on utilise un angle d'inclinaison de plus de 45°, comme indiqué sur la Fig. 12, déplacer le levier (A) vers l'intérieur, et la lame de scie pourra être inclinée à un angle maximum de 55° par rapport au socle.

Toujours veiller à bien resserrer le levier (A) après avoir réglé l'angle.

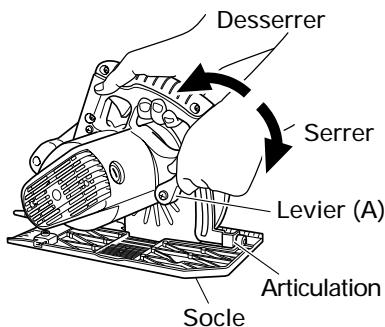


Fig. 10

Levier (A)

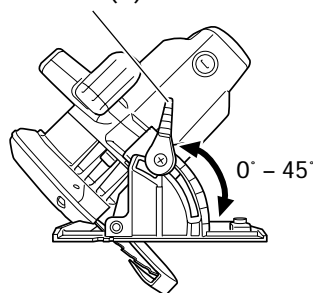


Fig. 11

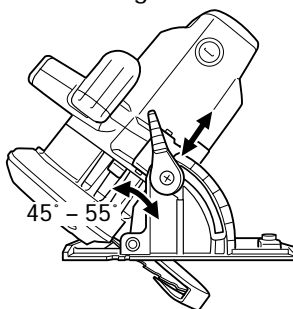


Fig. 12

3. Réglage du guide (garde de refente) (Fig. 13, 14)

..... Accessoire en option

Installer le boulon à ailettes (B) et verrouiller le ressort sur le socle. Insérer le guide dans le socle, le déplacer vers la gauche et vers la droite et régler la position de coupe. Serrer le boulon à ailettes (B) et fixer le guide. Il est possible d'installer le guide sur le côté gauche ou sur le côté droit du corps de l'outil.

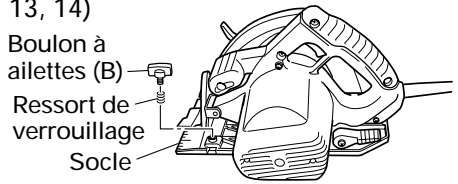


Fig. 13

Boulon à ailettes (B), ressort de verrouillage

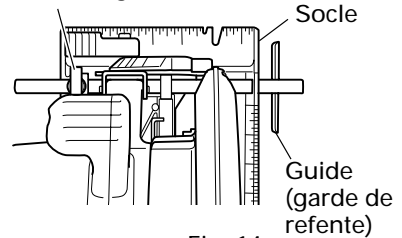


Fig. 14

**PROCEDURES DE COUPE**

**⚠ AVERTISSEMENT**

- Ne jamais toucher les pièces mobiles.
- Si la lame s'arrête ou qu'elle fait un bruit anormal pendant le fonctionnement, couper immédiatement l'interrupteur.
- Ne pas enlever la lame de la pièce pendant la coupe alors que la lame tourne.
- Porter des lunettes de protection.
- Ne pas scier de matériaux, comme du métal, etc. susceptibles de projeter des étincelles.

**⚠ PRECAUTION :**

- Toujours veiller à ce que le cordon d'alimentation n'approche pas de la lame de scie en rotation.
- Avant de commencer à scier, s'assurer que la lame de scie a bien atteint sa vitesse de régime.

1. Placer le corps (socle) de la scie sur le matériau, et, comme indiqué à la Fig. 15, aligner la ligne de coupe en pointillé sur la lame de scie, en utilisant l'encoche gravée à l'avant du socle. Ce rapport entre le socle et le matériau ne devra pas changer quelle que soit l'inclinaison du socle.
2. Mettre l'interrupteur sur la position ON avant que la lame de scie n'entre en contact avec le matériau. L'interrupteur s'allume lorsqu'on tire la gâchette avec le doigt, et il s'éteint lorsqu'on relâche la gâchette.
3. Pour obtenir un rendement de coupe maximal, déplacer la scie en droite ligne et à vitesse constante.

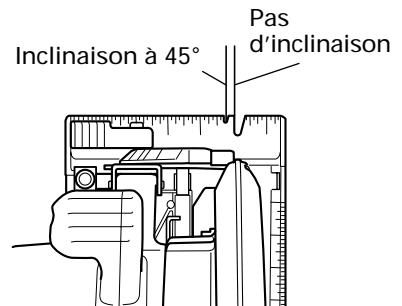


Fig. 15

**[COUPE DE POCHE]****⚠ AVERTISSEMENT :**

- Pour éviter tout risque d'accident grave, s'assurer que l'interrupteur est à la position OFF et débrancher la fiche de la prise secteur avant tout réglage.
- Ne jamais attacher ni caler la protection inférieure en position relevée.

1. Marquer bien lisiblement la section à couper avec des lignes sur tous les côtés. (Voir Fig. 16)
2. Régler la profondeur de coupe en fonction du matériau à couper.
3. Pousser le levier à fond vers l'arrière jusqu'à ce que la lame soit exposée, comme indiqué à la Fig. 16.
4. Incliner la scie vers l'avant et aligner l'encoche (Fig. 15) sur la ligne de guidage pré-marquée.
5. Relâcher le levier. Lorsque la protection inférieure entre en contact avec la surface de la pièce, elle sera dans la bonne position pour s'ouvrir librement lorsqu'on commencera à couper.
6. Tout en tenant la scie dans cette position, et alors que la lame n'est pas en contact avec la surface de la pièce, tirer sur la gâchette.
7. Lorsque la scie a atteint sa vitesse de régime, abaisser progressivement l'extrémité arrière de la scie jusqu'à ce que le socle repose sur la surface de la pièce.
8. Avancer la scie le long de la ligne de coupe jusqu'au coin.
9. Relâcher la gâchette et attendre que la lame se soit complètement arrêtée avant de retirer la lame de la pièce.
  - En aucun cas on ne tirera la lame vers l'arrière pendant qu'elle tourne, car cela pourrait provoquer un retour de lame.
10. Utiliser une scie sauteuse ou une scie à main pour parfaire la coupe des coins.
11. Chaque fois qu'on commence une nouvelle coupe, recommencer les opérations ci-dessus.

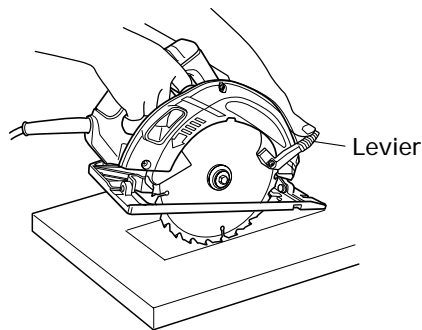


Fig. 16

**MONTAGE ET DEMONTAGE DE LA LAME DE SCIE**

- ⚠ AVERTISSEMENT:** Pour éviter tout risque d'accident grave, s'assurer que l'interrupteur est à la position OFF et débrancher la fiche de la prise secteur avant tout réglage.

1. Démontage de la lame
  - (1) Régler le volume de coupe au maximum, et placer la scie circulaire comme indiqué à la Fig. 17.
  - (2) Appuyer sur le levier de verrouillage, verrouiller l'arbre, et retirer le boulon à bride hexagonale et la rondelle (B) à l'aide de la clé.

- (3) Tout en tenant le levier pour maintenir la protection inférieure complètement rentrée dans le carter de lame, retirer la lame de scie. (Fig. 18)

## 2. Montage de la lame

- (1) Bien retirer toute la sciure qui s'est accumulée sur l'axe, le boulon et les rondelles.
- (2) Pour monter la lame, les côtés concaves des deux rondelles (A) et (B) doivent rentrer dans les côtés de la lame. Monter la lame sur l'axe, puis fixer la rondelle (B). (Voir Fig. 19)
- (3) Pour s'assurer que la lame tourne dans le bon sens, il faut que la flèche de la lame soit dirigée dans le même sens que celle du carter de lame.
- (4) Avec les doigts, serrer le boulon hexagonal qui fixe la lame de scie au maximum. Puis, appuyer sur le levier de verrouillage, verrouiller l'axe et serrer le boulon à fond.
- (5) Vérifier que le levier de verrouillage se trouve sur sa position d'origine.

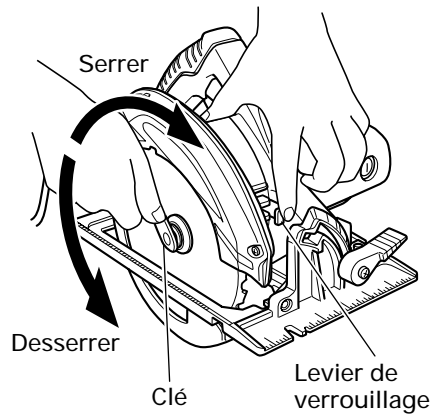


Fig. 17

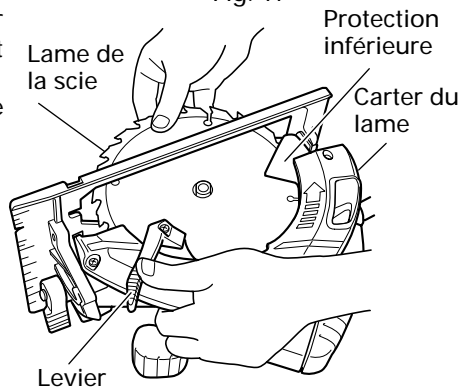


Fig. 18

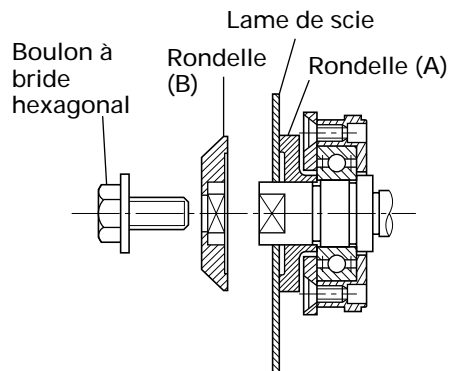


Fig. 19

# ENTRETIEN ET INSPECTION

**⚠ AVERTISSEMENT:** Pour éviter tout risque d'accident grave, s'assurer que l'interrupteur est à la position OFF et débrancher la fiche de la prise secteur.

## 1. Inspection de la lame de scie

L'utilisation d'une lame émoussée affectant le rendement et risquant de provoquer un mauvais fonctionnement du moteur, affûter ou remplacer la lame dès que l'on constate une abrasion.

**⚠ PRECAUTION:**

Avec une lame émoussée, la force de réaction augmente pendant la coupe. Éviter d'utiliser une lame émoussée sans la réparer.

## 2. Vérifier les vis.

Des vis mal serrées sont dangereuses. Les inspecter régulièrement et vérifier qu'elles sont serrées à fond.

**⚠ PRECAUTION:**

Il serait extrêmement dangereux d'utiliser cet outil électrique avec des vis mal serrées.

## 3. Inspection des balais en carbone (Fig. 20)

Le moteur utilise des balais en carbone qui sont des pièces qui s'usent. Remplacer un balai en carbone par un nouveau quand il est usé jusqu'à sa limite d'usure. Toujours garder propres les balais en carbone et s'assurer qu'ils glissent librement à l'intérieur des porte-balais.

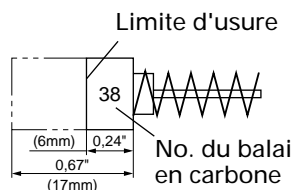


Fig. 20

**⚠ PRECAUTION:**

Utiliser la scie circulaire avec un balai en carbone qui est usé au-delà de la limite d'usure endommagera le moteur.

**REMARQUE:** Utiliser le balai en carbone HITACHI No. 38 indiqué sur la Fig. 20.

## 4. Remplacement d'un balai en carbone:

Retirer le couvercle du balai avec un tournevis à tête plate. Le balai en carbone peut être alors facilement retiré. (Fig. 21)

## 5. Vérification des performances et entretien du carter de protection

Maintenir le carter de protection en bon état pour garantir constamment des performances

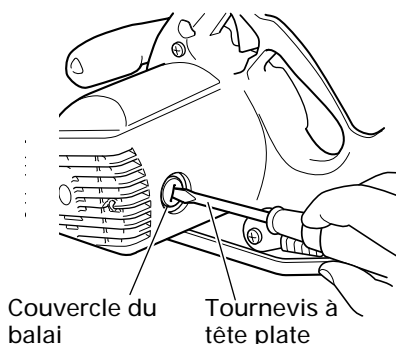


Fig. 21

régulières. Faire immédiatement réparer l'outil en cas de mauvais fonctionnement.

### 6. Réglage du socle et de la lame de scie en vue de la perpendicularité

L'angle formé par le socle et la lame de scie a été réglé en usine sur 90°; si cette perpendicularité se trouve perturbée pour une raison ou pour une autre, la régler en procédant comme suit.

- (1) Retourner le socle (Fig. 22) et desserrer le levier (A).
  - (2) Placer une équerre entre le socle et la lame de scie et déplacer la position du socle en tournant la vis de fixation fendue avec un tournevis à lame plate de façon à obtenir un angle droit.
- ### 7. Liste des pièces de rechange

#### **⚠ PRECAUCION:**

**Les réparations, modifications et inspections des outils électriques Hitachi doivent être confiées à un service après-vente Hitachi agréé.**

**Il sera utile de présenter cette liste de pièces au service après-vente Hitachi agréé lorsqu'on apporte un outil nécessitant des réparations ou tout autre entretien.**

**Lors de l'utilisation et de l'entretien d'un outil électrique, respecter les règlements et les normes de sécurité en vigueur dans le pays en question.**

#### **MODIFICATIONS:**

Les outils électriques Hitachi sont constamment améliorés et modifiés afin d'incorporer les tous derniers progrès technologiques.

En conséquence, il est possible que certaines pièces (c.-à-d. no. de code et/ou dessin) soient modifiées sans avis préalable.

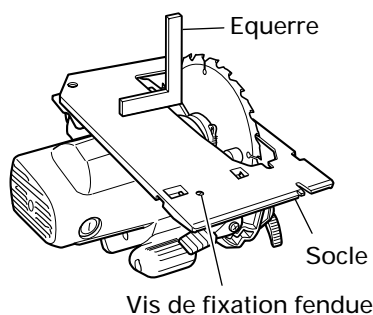


Fig. 22



# ACCESSOIRES

**⚠ AVERTISSEMENT:** Les accessoires pour cet outil motorisé sont mentionnés dans ce mode d'emploi.

L'utilisation de toute autre fixation ou accessoire peut être dangereux et causer des blessures ou des dommages mécaniques.

**REMARQUE:**

Les accessoires sont sujets à changement sans obligation de la part de HITACHI.

## ACCESSOIRES STANDARD

(1) Lame de la scie ..... 1

Dia. Externe	Dia. d'orifice	No. de code
7-1/4" (185mm)	5/8" (15,9mm)	320843

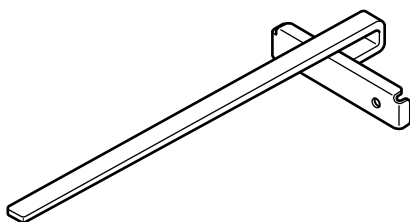
(2) Clé (No. de code 320976) ..... 1

## ACCESSOIRES EN OPTION.....vendus séparément

(1) Guide (No. de code 302691) (Incluye (2) y (3).)

(2) Boulon-papillon (B) (No. de code 302697)

(3) Ressort de verrouillage (No. de code 947859)



**REMARQUE:**

Les spécifications sont sujettes à modification sans aucune obligation de la part de HITACHI.

---

## INFORMACIÓN IMPORTANTE SOBRE SEGURIDAD

---

Antes de utilizar o de realizar cualquier trabajo de mantenimiento de esta herramienta eléctrica, lea y comprenda todas las precauciones de seguridad, advertencias instrucciones de funcionamiento de este Manual de instrucciones.

La mayoría de los accidentes producidos en la operación y el mantenimiento de una herramienta eléctrica se deben a la falta de observación de las normas o precauciones de seguridad. Los accidentes normalmente podrán evitarse reconociendo una situación potencialmente peligrosa a tiempo y siguiendo los procedimientos de seguridad apropiados.

Las precauciones básicas de seguridad se describen en la sección "SEGURIDAD" de este Manual de instrucciones y en las secciones que contienen las instrucciones de operación y mantenimiento.

Para evitar lesiones o el daño de la herramienta eléctrica, los riesgos están identificados con ADVERTENCIAS en dicha herramienta y en este Manual de instrucciones.

No utilice **NUNCA** esta herramienta eléctrica de ninguna forma no esté específicamente recomendada por HITACHI.

---

## SIGNIFICADO DE LAS PALABRAS DE SEÑALIZACIÓN

---

**ADVERTENCIA** indica situaciones potencialmente peligrosas que, si se ignoran, pueden resultar en la muerte o en lesiones de gravedad.

**PRECAUCIÓN** indica situaciones potencialmente peligrosas que, de no evitarse, pueden resultar en lesiones moderadas o moderadas, o que causar daños en la herramienta eléctrica.

**NOTA** acentúa información esencial.

# SEGURIDAD

## NORMAS GENERALES DE SEGURIDAD


**⚠ ADVERTENCIA:** Lea y entienda todas las instrucciones.  
Si no sigue las instrucciones indicadas a continuación, pueden producirse descargas eléctricas, incendios, y/o lesiones serias.

### **GUARDE ESTAS INSTRUCCIONES.**

#### **1. Área de trabajo**

- (1) **Mantenga el área de trabajo limpia y bien iluminada.** Los bancos de trabajo desordenados y las áreas oscuras pueden conducir a accidentes.
- (2) **No utilice la herramienta en atmósferas explosivas, como en presencia de líquidos inflamables, gases, o polvo.** La herramienta eléctrica crea chispas que pueden incendiar polvo o gases.
- (3) **Mantenga alejadas a otras personas, niños o visitantes, cuando utilice la herramienta eléctrica.** Las distracciones pueden hacer que pierda el control de la herramienta.

#### **2. Seguridad eléctrica**

- (1) **Las herramientas eléctricas con aislamiento doble poseen un enchufe polarizado (una cuchilla es más ancha que la otra.) Este enchufe encajará en un tomacorriente polarizado de una sola forma. Si el enchufe no entra completamente en el tomacorriente, invierta su sentido de inserción. Si sigue sin entrar, póngase en contacto con un electricista cualificado para que le instale un tomacorriente polarizado. No cambie nunca el enchufe.** El aislamiento doble  elimina la necesidad de un cable de alimentación de tres conductores, uno para puesta a tierra, y del sistema de alimentación con puesta a tierra.
- (2) **Evite el contacto con superficies con puesta a tierra, tales como tubos, radiadores, hornos, y refrigeradores.** Si toca tierra, existe el peligro de que reciba una descarga eléctrica.
- (3) **No exponga la herramienta eléctrica a la lluvia ni a la humedad.** La entrada de agua en la herramienta eléctrica aumentará el riesgo de descargas eléctricas.
- (4) **No maltrate el cable de alimentación. No utilice nunca el cable de alimentación para transportar la herramienta ni para desconectarla del tomacorriente. Mantenga el cable alejado del calor, aceite, bordes cortantes, o partes móviles. Reemplace inmediatamente cualquier cable dañado.** Un cable dañado puede ser la causa de descargas eléctricas.
- (5) **Cuando utilice la herramienta eléctrica en exteriores, utilice un cable prolongador marcado con "W-A" o "W".** Estos cables han sido diseñados para utilizarse en exteriores y reducir el riesgo de descargas eléctricas.

### 3. Seguridad personal

- (1) **Esté siempre alerta y utilice el sentido común cuando utilice la herramienta eléctrica. No utilice la herramienta cuando esté cansado o bajo la influencia de medicamentos ni de alcohol.** Un descuido al utilizar la herramienta eléctrica puede resultar en una lesión seria.
- (2) **Vístase adecuadamente. No utilice ropa floja ni joyas. Si tiene pelo largo, recójaselo. Mantenga su pelo, ropa, y guantes alejados de las partes móviles.** La ropa floja, las joyas, o el pelo largo pueden engancharse en las partes móviles.
- (3) **Evite la puesta en marcha accidental. Cerciórese de que la alimentación de la herramienta eléctrica esté desconectada antes de enchufarla en una toma de la red.** Si lleva la herramienta eléctrica con el dedo colocado en el interruptor, o si la enchufa con dicho interruptor cerrado, es posible que se produzcan accidentes.
- (4) **Quite las llaves de ajuste y abra los interruptores antes de poner en funcionamiento la herramienta.** Una llave dejada en una parte móvil de la herramienta podría resultar en lesiones.
- (5) **No sobrepase su alcance. Mantenga en todo momento un buen equilibrio.** El conservar en todo momento el equilibrio le permitirá controlar mejor la herramienta en situaciones inesperadas.
- (6) **Utilice equipos de seguridad. Utilice siempre protección para los ojos.** Para conseguir las condiciones apropiadas, utilice máscaras contra el polvo, zapatos de seguridad no resbaladizos, casco duro, o tapones para los oídos.

### 4. Utilización y cuidados de la herramienta

- (1) **Utilice abrazaderas u otra forma práctica de asegurar y sujetar la pieza de trabajo sobre una plataforma estable.** La sujeción de la pieza de trabajo con la mano o contra su cuerpo puede ser inestable y conducir a la pérdida del control.
- (2) **No fuerce la herramienta. Utilice la herramienta correcta para su aplicación.** Con la herramienta correcta realizará mejor el trabajo y ésta será más segura para la velocidad para la que ha sido diseñada.
- (3) **No utilice la herramienta si el interruptor de alimentación de la misma no funciona.** Cualquier herramienta que no pueda controlarse con el interruptor de alimentación puede resultar peligrosa, y deberá repararse.
- (4) **Desconecte el enchufe de la fuente de alimentación antes de realizar cualquier ajuste, cambiar accesorios, o guardar la herramienta.** Tales medidas de seguridad preventivas reducirán el riesgo de que la herramienta entre en funcionamiento accidentalmente.
- (5) **Guarde las herramientas que no vaya a utilizar fuera del alcance de niños y de otras personas no entrenadas.** Las herramientas son peligrosas en manos de personas inexpertas.
- (6) **Realice el mantenimiento cuidadoso de las herramientas. Mantenga las herramientas afiladas y limpias.** Las herramientas adecuadamente mantenidas, con los bordes cortantes afilados, serán más fáciles de utilizar y controlar.
- (7) **Compruebe que las piezas móviles no estén desalineadas ni atascadas, que no hayan piezas rotas, ni otra condición que pueda afectar la operación de las herramientas.**

En caso de que una herramienta esté averiada, hágala reparar en un centro de servicio autorizado HITACHI antes de utilizarla. Muchos de los accidentes se deben a herramientas mal cuidadas.

- (8) **Utilice solamente los accesorios recomendados por el fabricante para su modelo.** Los accesorios adecuados para usar con una herramienta pueden ser peligrosos cuando se utilicen con otra.

## 5. Servicio de reparación

- (1) **El servicio de reparación de la herramienta deberá realizarlo sólo un centro de servicio autorizado HITACHI.** El servicio de mantenimiento o reparación realizado por persona no cualificado podría resultar en el riesgo de lesiones.
- (2) **Para el servicio de mantenimiento o reparación de una herramienta, utilice solamente piezas de repuesto idénticas. Siga las instrucciones de la sección de mantenimiento de este manual.** La utilización de piezas no autorizadas, o el no seguir las indicaciones del Manual de instrucciones puede crear el riesgo de descargas eléctricas u otras lesiones.

---

## NORMAS Y SÍMBOLOS ESPECÍFICOS DE SEGURIDAD

---

1. **¡PELIGRO! Mantenga las manos alejadas de área de corte y de la cuchilla.** Coloque su otra mano en el asa auxiliar o en la carcasa del motor. Si sujeta la sierra con ambas manos, no se herirá con la cuchilla.  
**Mantenga su cuerpo posicionado a uno u otro lado de la cuchilla de sierra, no en línea con la misma.** El CONTRAGOLPE puede hacer que la sierra salte hacia atrás. (Consulte "Causas y prevención de contragolpes del operador").  
**No toque la parte inferior de la pieza de trabajo.** El protector no le protegerá contra la cuchilla debajo de la pieza de trabajo.
2. **Compruebe el cierre correcto del protector inferior antes de cada uso. Si el protector inferior no se mueve con libertad o no se cierra instantáneamente, no utilice la sierra. No fije ni sujete nunca el protector inferior en la posición de abierto.** Si la sierra se cayese accidentalmente, el protector inferior podría doblarse. Levante el protector inferior con el asa retráctil y cerciórese de que se mueva libremente y no toque la cuchilla ni otras partes en ningún ángulo ni profundidad de corte.
3. **Compruebe la operación y las condiciones del resorte del protector inferior. Si el protector y el resorte no están funcionando correctamente, repárelos antes del uso.** El protector inferior puede funcionar lentamente debido a piezas dañadas, a depósitos pegajosos, o a acumulación de suciedad.
4. **El protector inferior deberá retraerse manualmente solamente para cortes especiales tales como "Cortes de cavidades" y "Cortes compuestos". Levante el protector inferior con el asa retráctil.** Tan pronto como la cuchilla entre en contacto con el material, habrá que bajar el protector inferior. Para otros tipos de cortes, el protector inferior deberá trabajar automáticamente.
5. **Compruebe siempre si el protector inferior está cubriendo la cuchilla antes de colocar la sierra sobre el banco de trabajo o el suelo.** Una cuchilla sin protección y girando hará que la sierra retroceda, cortando lo que encuentre a su paso. Tenga el tiempo que tarda la cuchilla en pararse después de haber soltado el interruptor.

6. **No sujete NUNCA la pieza a serrar con las manos ni los pies.** Es muy importante asegurar la pieza a serrar de forma que el cuerpo quede lo menos expuesto posible, la cuchilla no se pegue, y no se pierda el control.
7. **Sujete la herramienta mediante las partes de sujeción aisladas cuando realice un trabajo en el que la herramienta de corte pueda entrar en contacto con cableado oculto o con su propio cordón.** El contacto con un cable "activo" hará que las partes metálicas expuestas de la herramienta también se "activen", y se aplicará una descarga eléctrica al operador.
8. **Para serrar, utilice siempre una escuadra de guía o una guía para corte recto.** Esto mejorará la precisión del corte y reducirá el riesgo de que se pegue la cuchilla.
9. **Utilice siempre cuchillas con agujeros para el eje (adiamantados contra circulares) de tamaño y forma correctos.** Las cuchillas que no coincidan con las piezas de montaje de la sierra girarán de forma excéntrica, haciendo que se pierda el control.
10. **No utilice nunca arandelas de pernos ni de cuchillas incorrectos.** Las arandelas y los pernos han sido diseñados especialmente para su sierra, a fin de lograr una operación correcta y segura.
11. **Causas del contragolpe y protección del operador:**

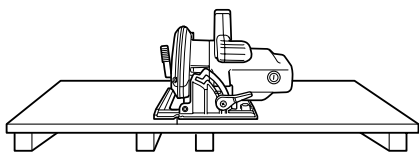
*El contragolpe es una reacción repentina de una cuchilla de sierra atascada o desalineada, que causa el levantamiento incontrolado de la sierra fuera de la pieza de trabajo hacia el operador.*

*Cuando la cuchilla se cale fuertemente al terminar el corte, se atascará y la reacción del motor hará que la sierra retroceda rápidamente hacia el operador.*

*Si la cuchilla se retuerce o desalinea durante el corte, los dientes del borde posterior de la misma pueden insertarse en la superficie superior de la madera haciendo que salga del corte y retroceda hacia el operador.*

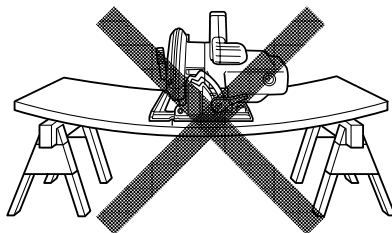
*El contragolpe es el resultado de la mala utilización y/o de los procedimientos de operación incorrectos o las malas condiciones, y puede evitarse si el operador tiene en cuenta las precauciones siguientes:*
12. **Sujete firmemente la sierra con ambas manos y posicione su cuerpo y brazo de manera que pueda resistir la fuerza del CONTRAGOLPE.** La fuerza del CONTRAGOLPE puede ser controlada por el operador, si se toman las precauciones apropiadas.
13. **Cuando la cuchilla se pegue, o cuando interrumpa el corte por cualquier razón, suelte el interruptor y sujete la sierra sin moverla en el material hasta que la cuchilla se haya parado completamente.** No intente nunca retirar la sierra de la pieza de trabajo ni de devolverla hacia atrás mientras la cuchilla esté en movimiento, ya que podría producirse el CONTRAGOLPE. Investigue las causas y tome medidas correctivas para eliminar el agarrotamiento de la cuchilla.
14. **Cuando vuelva a poner en funcionamiento la sierra en la pieza de trabajo, centre la cuchilla de la sierra en el corte, y compruebe que los dientes de la sierra no estén engranados en el material.** Si la cuchilla de la sierra estuviese agarrotada, podría moverse hacia arriba y producir el CONTRAGOLPE de la pieza de trabajo al volver a poner en funcionamiento la sierra.
15. **Sujete los paneles grandes para reducir el riesgo de que la cuchilla se cale y se produzca el CONTRAGOLPE.** Los paneles grandes tienden a pandearse por su propio peso. Se deberán colocar soportes debajo del panel, en ambos lados, cerca de la línea de corte y próximo al borde del panel, tal como se observa en la Fig.1.

Para reducir al mínimo el riesgo de que la cuchilla se cale y se produzca el contragolpe Cuando la operación de corte requiere apoyar la sierra sobre la pieza de trabajo, apóyela sobre la parte más grande y corte la pieza más pequeña.



Para evitar el contragolpe, apoye la tabla o el panel cerca del lugar de corte.

Fig. 1



No apoye la tabla o el panel lejos del lugar de corte.

Fig. 2

16. **No utilice cuchillas desafiladas ni dañadas.** Las cuchillas mal afiladas o ajustadas podrían producir un corte que produjese excesiva fricción, agarrotamiento de la cuchilla, y CONTRAGOLPE.
17. **Las palancas de bloqueo del ajuste de profundidad y de biselado deberán apretarse con seguridad antes de realizar el corte.** Si el ajuste de la hoja se desplazase durante el corte, podría producirse el agarrotamiento y el CONTRAGOLPE.

18. **Preste especial atención cuando realice "Cortes de cavidades" en paredes existentes o en otros lugares ciegos.** La cuchilla podría cortar objetos que podrían producir el CONTRAGOLPE.

No coloque nunca su mano o dedos detrás de la sierra. Si se produce el contragolpe, la sierra podría saltar hacia atrás sobre su mano, y producir lesiones de gravedad.

19. **Tenga cuidado con el contragolpe del freno.** El modelo C7BD2 cuenta con un freno eléctrico que funciona al soltar el interruptor. Debido a que se produce un ligero contragolpe al funcionar el freno, asegúrese de sujetar firmemente el cuerpo principal.

20. **Ajustes.** Antes de ajustar, asegúrese de que los ajustes de profundidad y biselado estén bien hechos.
21. **Evite cortar clavos.** Antes de cortar, inspeccione la pieza de trabajo y quite todos los clavos que ésta pueda tener.
22. **Cuando opere la sierra, mantenga el cordón alejado del área de corte, y posícionelo de manera que no quede atrapado en la pieza de trabajo durante la operación de corte.** Trabaje con un soporte de mano apropiado, un soporte de pieza de trabajo apropiado, y procure encaminar el cordón de manera que quede alejado del área de trabajo.

**ADVERTENCIA:** Es importante apoyar correctamente la pieza que vaya a ser cortada y sujetar firmemente la sierra para impedir perder su control y evitar lesiones graves. La figura 4 muestra la sujeción típica de la sierra.

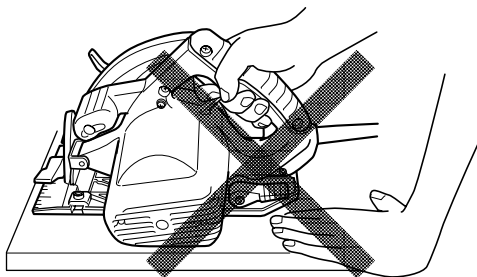


Fig. 3

UNA ILUSTRACIÓN TÍPICA DE LA SUJECIÓN DE LA SIERRA, APOYO DE LA PIEZA DE TRABAJO Y COLOCACIÓN DEL CABLE DE ALIMENTACIÓN.

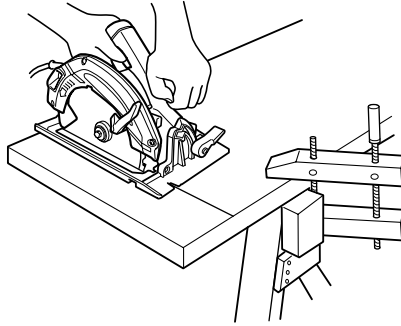


Fig. 4

23. Coloque la parte más ancha de la base de la sierra sobre la parte de la pieza de trabajo que está firmemente soportada, y no sobre la sección que cae al finalizar el corte. Como ejemplos, en la Figura 5 se muestra la manera CORRECTA de cortar el extremo de una tabla, y en la Fig. 6, la manera INCORRECTA. Si la pieza de trabajo es demasiado corta o pequeña, fíjela.

¡NO INTENTE SUJETAR PARTES CORTAS CON LA MANO!

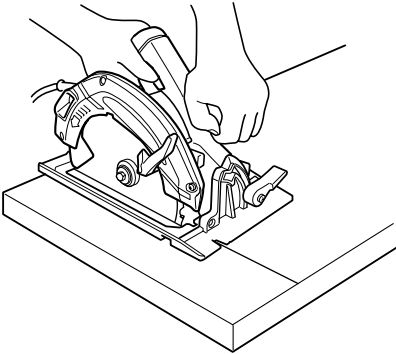


Fig. 5

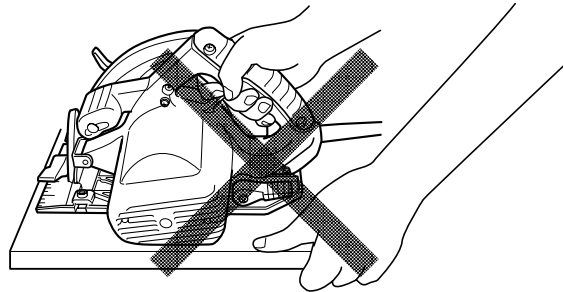


Fig. 6

24. No intente nunca cortar colocando la sierra circular de manera invertida sobre un banco de trabajo. Esto es sumamente peligroso y puede producir accidentes de gravedad. (Fig.7)

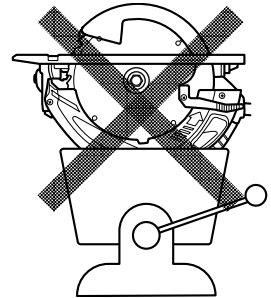


Fig. 7



- 25. Antes de bajar la herramienta después de finalizar un corte, asegúrese de que el protector inferior (telescopizante) se haya cerrado y que la hoja esté completamente detenida.**
- 26. No toque nunca las piezas móviles.**

No coloque nunca sus manos, dedos, ni demás partes del cuerpo cerca de las piezas móviles de la herramienta.
- 27. No utilice nunca la herramienta sin los protectores colocados en su lugar.**

No utilice nunca esta herramienta sin los protectores de seguridad correctamente instalados. Si el trabajo de mantenimiento o de reparación requiere el desmontaje de un protector de seguridad, cerciőrese de volver a instalarlo antes de utilizar la herramienta.
- 28. Utilice la herramienta correcta.**

No fuerce herramientas ni accesorios pequeños para realizar un trabajo pesado. No utilice las herramientas para fines no proyectados, por ejemplo, no utilice esta amoladora angular para cortar madera.
- 29. No utilice nunca una herramienta eléctrica para aplicaciones que no sean las especificadas.**

No utilice nunca una herramienta eléctrica para aplicaciones no especificadas en este Manual de instrucciones.
- 30. Maneje correctamente la herramienta.**

Maneje la herramienta de acuerdo con las instrucciones ofrecidas aquí. No deje caer ni tire la herramienta. No permita nunca que los niños ni otras personas no autorizadas ni familiarizadas con la operación de la herramienta utilicen ésta.
- 31. Mantenga limpio el conducto de ventilación del motor.**

El conducto de ventilación del motor limpio para que el aire pueda circular libremente en todo momento. Compruebe frecuentemente y limpie el polvo acumulado.
- 32. Utilice las herramientas eléctricas con la tensión de alimentación nominal.**

Utilice las herramientas eléctricas con las tensiones indicadas en sus placas de características.

La utilización de una herramienta eléctrica con una tensión superior a la nominal podría resultar en revoluciones anormalmente altas del motor, en el daño de la herramienta, y en la quemadura del motor.
- 33. No haga funcionar la sierra mientras la lleve hacia su lado.**
- 34. Mantenga todos los tornillos, pernos, y cubiertas firmemente fijados en su lugar.**

Mantenga todos los tornillos, pernos, y cubiertas firmemente montados. Compruebe periódicamente su condición.
- 35. No utilice herramientas eléctricas si la carcasa o la empuñadura de plástico está rajada.**

Las rajaduras en la carcasa o en la empuñadura de plástico pueden conducir a descargas eléctricas. Tales herramientas no deberán utilizarse mientras no se hayan reparado.
- 36. Las cuchillas y los accesorios deberán montarse con seguridad en la herramienta.**

Evite lesiones personales y de otras personas. Las cuchillas, los accesorios de corte, y demás accesorios montados en la herramienta deberán fijarse con seguridad.
- 37. No utilice nunca una herramienta defectuosa o que funcione anormalmente.**

Si la herramienta parece que funciona anormalmente, produciendo ruidos extraños, etc., deje inmediatamente de utilizarla y solicite su arreglo a un centro de reparaciones autorizado por Hitachi.
- 38. Maneje con cuidado las herramientas eléctricas.**


Si una herramienta eléctrica se ha caído o ha chocado inadvertidamente contra materiales duros, es posible que se haya deformado, rajado, o dañado.

**39. No limpie las partes de plástico con disolvente.**

Los disolventes, como gasolina, diluidor de pintura, bencina, tetracloruro de carbono, y alcohol pueden dañar o rajar las partes de plástico. No las limpie con tales disolventes. Limpie las partes de plástico con un paño suave ligeramente humedecido en agua jabonosa y después séquelas bien.

**40. No utilice NUNCA guantes de un material que pueda enrollarse, como algodón, lana, tela o cordel, etc.**

**41. Definiciones para los símbolos**

- V ..... voltios
- Hz ..... hertzios
- A ..... amperios
- $n_0$  ..... velocidad sin carga
-  ..... Construcción de clase II
- /min ..... revoluciones por minuto
- $\sim$  ..... corriente alterna o continua

## **AISLAMIENTO DOBLE PARA OFRECER UNA OPERACIÓN MÁS SEGURA**

Para garantizar una operación más segura de esta herramienta eléctrica, HITACHI ha adoptado un diseño de aislamiento doble. "Aislamiento doble" significa que se han utilizado dos sistemas de aislamiento físicamente separados para aislar los materiales eléctricamente conductores conectados a la fuente de alimentación del bastidor exterior manejado por el operador. Por lo tanto, en la herramienta eléctrica o en su placa de características aparecen el símbolo "⊞" o las palabras "Double insulation" (aislamiento doble).

Aunque este sistema no posee puesta a tierra externa, usted deberá seguir las precauciones sobre seguridad eléctrica ofrecidas en este Manual de instrucciones, incluyendo la no utilización de la herramienta eléctrica en ambientes húmedos.

para mantener efectivo el sistema de aislamiento doble, tenga en cuenta las precauciones siguientes:

- Esta herramienta eléctrica solamente deberá desensamblar y ensamblarla un CENTRO DE REPARACIONES AUTORIZADO POR HITACHI, y solamente deberán utilizarse con ella piezas de reemplazo genuinas de HITACHI.
- Limpie el exterior de la herramienta eléctrica solamente con un paño suave humedecido en agua jabonosa, y después séquela bien.  
No utilice disolventes, gasolina, ni diluidor de pintura para limpiar las partes de plástico, ya que podría disolverlas.

**¡GUARDE ESTAS INSTRUCCIONES  
Y  
PÓNGALAS A DISPOSICIÓN DE  
OTROS USUARIOS  
Y  
PROPIETARIOS DE ESTA  
HERRAMIENTA!**

# DESCRIPCIÓN FUNCIONAL

## NOTA:

La información contenida en este Manual de instrucciones ha sido diseñada para ayudarle a utilizar con seguridad y mantener esta herramienta eléctrica.

**NUNCA** haga funcionar ni efectúe el mantenimiento de la herramienta antes de leer y comprender todas las instrucciones de seguridad contenidas en este manual.

Algunas ilustraciones de este Manual de Instrucciones pueden mostrar detalles o accesorios diferentes a los de la propia herramienta eléctrica.

## NOMENCLATURA

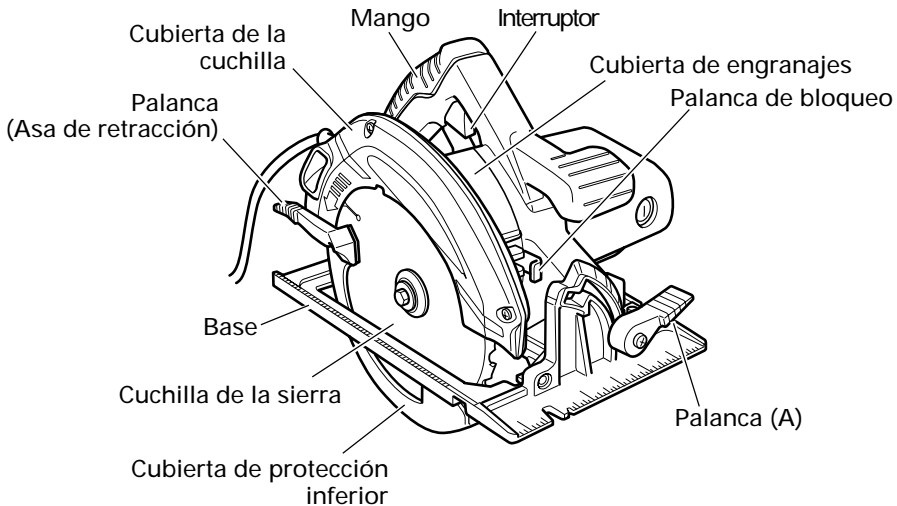


Fig. 8

## ESPECIFICACIONES

Motor	Motor conmutador en serie monofásico
Fuente de alimentación	120V CA, 60Hz, monofásica, 120V DC
Profundidad máx. de corte	2-3/8" (60 mm)
Corriente	15 A
Velocidad de marcha en vecío	5800/min
Peso	10,1 lbs (4,6 kg)

# MONTAJE Y OPERACIÓN

## APLICACIONES

- Corte de varios tipos de madera.

## ANTES DE LA OPERACIÓN

### 1. Fuente de alimentación

Cerciórese de que la fuente de alimentación que vaya a utilizar cumpla los requisitos indicados en la placa de características del producto.

### 2. Interruptor de alimentación

Cerciórese de que el interruptor de alimentación esté en la posición OFF. Si enchufase el cable de alimentación en un tomacorriente de la red con el interruptor en ON, la herramienta eléctrica comenzaría a funcionar inmediatamente, lo que podría provocar lesiones serias.

### 3. Cable prolongador

Cuando el área de trabajo esté alejada de la fuente de alimentación, utilice un cable prolongador de suficiente grosor y con la capacidad nominal. El cable prolongador deberá mantenerse lo más corto posible.

**⚠ ADVERTENCIA:** Si un cable está dañado deberá reemplazar o repararse.

### 4. Comprobación del tomacorriente

Si el enchufe del cable de alimentación queda flojo en el tomacorriente, habrá que reparar éste. Póngase en contacto con un electricista cualificado para que realice las reparaciones adecuadas.

Si utilizase un tomacorriente en este estado, podría producirse recalentamiento, lo que supondría un riesgo serio.

### 5. Confirme las condiciones del medio ambiente.

Condírne que el lugar de trabajo esté en las condiciones apropiadas de acuerdo con las precauciones descritas.

### 6. Prepare un banco de trabajo de madera (Fig. 9).

Como la cuchilla de la sierra sobresaldrá de la superficie inferior de la madera de trabajo, coloque ésta sobre un banco de trabajo para cortarla. Si, como banco de trabajo, utiliza un madero cuadrangular, tenga en cuenta el nivel del suelo para asegurar que quede adecuadamente estabilizado.

Un banco de trabajo inestable resultaría en una operación peligrosa.

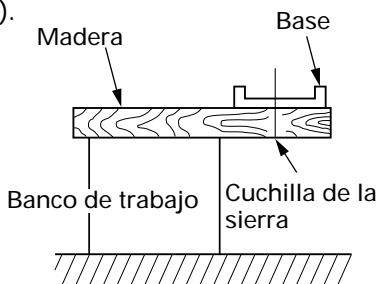


Fig. 9

**⚠ PRECAUCIÓN:**

Para evitar accidentes, asegúrese siempre de que la parte de la pieza de trabajo que queda después del corte esté firmemente fijada.

7. Verifique que la palanca (A) se encuentre apretada.

La flojedad de la palanca (A) para ajustar la profundidad de corte (Fig.10) y de la palanca (A) para ajustar el ángulo de inclinación (Fig.11) puede producir lesiones. Asegúrese de que se encuentren firmemente apretadas.

8. Compruebe el funcionamiento de la cubierta protectora.

**⚠ ADVERTENCIA:** Cerciórese de que la cubierta protectora no esté trabada. Además, compruebe si se mueve suavemente. Si la cuchilla de la sierra estuviese expuesta, podrían producirse lesiones.

La cubierta de protección inferior (consulte la Fig.8) sirve para evitar que su cuerpo entre en contacto con la cuchilla de la sierra. Cerciórese de que la cubierta protectora funcione correctamente para cubrir la cuchilla de la sierra. Si la cubierta protectora no se mueve suavemente, no utilice la sierra sin haberla reparado.

Cuando necesite repararla, póngase en contacto con el establecimiento en el que haya adquirido la sierra circular o con un centro de reparaciones autorizado por HITACHI.

9. Protección para los ojos

Cuando utiliza la herramienta, asegúrese de utilizar protección para los ojos.

10. Verifique que la cuchilla de la sierra esté apretada

Consulte [Montaje y desmontaje de la cuchilla de la sierra] en la página 57, y asegúrese de que el perno de brida esté firmemente apretado.

11. Compruebe que el freno opere de manera apropiada (sólo C7BD2)

Su sierra cuenta con un freno eléctrico automático diseñado para parar el movimiento de rueda libre de la cuchilla unos 3 segundos después de soltar el interruptor de gatillo. Esto es conveniente cuando se efectúan cortes en madera, en donde el movimiento de rueda libre de la hoja puede producir un corte impreciso. En algunos casos, y bajo ciertas condiciones, es posible que el freno no funcione correctamente y que no se consiga parar la cuchilla de la sierra en los 3 segundos mencionados arriba.

Si esta condición persiste, encienda y apague la sierra cuatro o cinco veces. Si el freno no hace parar la cuchilla en unos 3 segundos, el problema podría atribuirse a unas escobillas gastadas. Reemplace las escobillas y pruebe la sierra otra vez. Si el problema sigue persistiendo, solicite la reparación de la sierra en un CENTRO DE SERVICIO AUTORIZADO DE HITACHI.

## AJUSTE DE LA SIERRA ANTES DE UTILIZARLA

**⚠ ADVERTENCIA:**

Para evitar accidentes de gravedad, asegúrese de que el interruptor esté en la posición OFF, y desconecte el enchufe del tomacorriente.

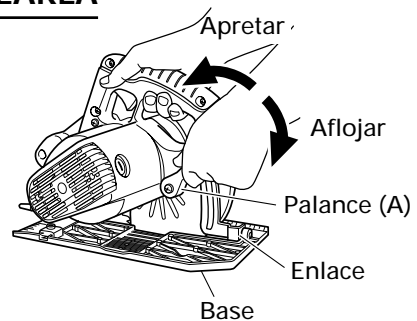


Fig. 10

## 1. Ajuste de la profundidad de corte (Fig. 10)

### ⚠️ ADVERTENCIA:

Si la palanca (A) estuviese floja, se podrían producir lesiones. Apriétela firmemente después del ajuste.

Para ajustar la profundidad de corte, afloje la palanca (A) y, mientras sujeta la base con una mano, mueva el cuerpo principal hacia arriba y abajo para obtener la profundidad de corte prescrita. Después de ajustar a la profundidad de corte prescrita, apriete firmemente la palanca (A).

## 2. Ajuste del ángulo de inclinación

### ⚠️ ADVERTENCIA:

Si la palanca (A) estuviese floja, se podrían producir lesiones. Apriétela firmemente después del ajuste.

La cuchilla de la sierra se puede inclinar desde 0° hasta un ángulo máximo de 55° con respecto a la base.

Tal como se muestra en la Fig.11, aflojando la palanca (A) de la escala de bisel, es posible inclinar la cuchilla de la sierra hasta un ángulo de 45° con respecto a la base.

Si desea usar un ángulo de inclinación de más de 45°, mueva la palanca (A) hacia adentro, tal como se muestra en la Fig.12, para poder inclinar la cuchilla de la sierra hasta un ángulo máximo de 55° con respecto a la base.

Después de realizar el ajuste deseado, siempre asegúrese de comprobar que la palanca (A) se encuentre completamente apretada.

## 3. Regulación de la guía (Guía de corte) (Fig. 13, 14)

..... Accesorio opcional

Instale el perno de aletas (B) y el resorte de seguridad sobre la base. Inserte la guía en la base, muévala hacia la izquierda y la derecha y ajuste la posición de corte. Apriete el perno de aletas (B) y fije la guía. La guía puede ser instalada desde ambos lados, izquierdo y derecho del cuerpo principal.

Palanca (A)

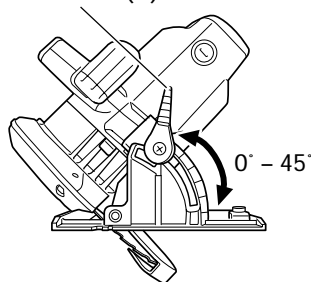


Fig. 11

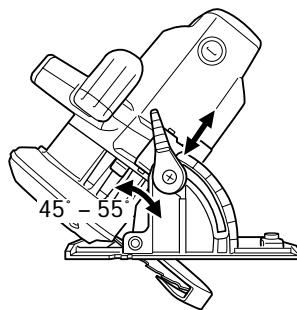


Fig. 12



Fig. 13

Perno de aletas (B),  
Resorte de seguridad

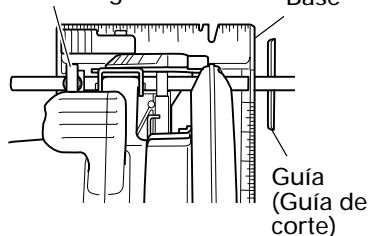


Fig. 14

## PROCEDIMIENTOS DE CORTE

### ⚠ ADVERTENCIA:

- No toque nunca las partes móviles.
- Si la cuchilla de la sierra se para o produce un ruido anormal durante la operación, ponga inmediatamente el interruptor en OFF.
- No extraiga la sierra de la pieza de trabajo durante la operación de corte mientras la cuchilla de la sierra esté girando.
- Utilice protección para los ojos.
- Evite cortar materiales como metal, etc., que puedan producir chispas.

### ⚠ PRECAUCIÓN:

- Tenga siempre cuidado para impedir que el cable de alimentación se acerque a la cuchilla de la sierra mientras ésta está girando.
- Antes de poner en funcionamiento la sierra, asegúrese de que su cuchilla haya alcanzado la velocidad de giro máxima.

1. Ponga el cuerpo de la sierra (base) en la madera, y, como se muestra en la Fig. 15, alinee la línea de corte con la cuchilla de la sierra, utilizando la ranura de la parte delantera de la base. Esta relación entre base y madera deberá permanecer inalterada independientemente de la inclinación de la base.
2. El interruptor deberá ponerse en la posición ON antes de que la cuchilla de la sierra entre en contacto con la madera. El interruptor se pone en ON cuando se aprieta el gatillo con un dedo, y se pone en OFF cuando se suelta el gatillo.
3. El mejor corte se logrará moviendo la sierra en línea recta y a una velocidad constante.

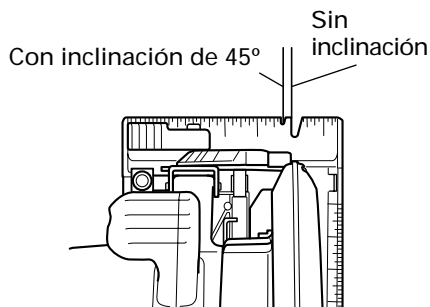


Fig. 15

## [CORTE DE INTERIORES]

### ⚠ ADVERTENCIA:

- Para evitar accidentes de gravedad, asegúrese de que el interruptor esté en la posición OFF, y extraiga el enchufe del tomacorriente antes de realizar cualquier ajuste.
- Nunca ate ni acúñe la cubierta de protección inferior en posición elevada.

1. Marque claramente el área de corte deseada con líneas en todos los lados. (Consulte la Fig. 16.)
2. Ajuste la profundidad según el material que vaya a cortar.



3. Empuje la palanca completamente hacia atrás para que la cuchilla quede expuesta como se muestra en la Fig. 16.
4. Incline la sierra hacia adelante y alinee la ranura (Fig. 15) con la línea guía premarcada.
5. Suelte la palanca. Cuando la cubierta de protección inferior entre en contacto con la superficie de la pieza de trabajo, ésta estará en la posición apropiada para abrirse libremente cuando comience el corte.
6. Sujetando la sierra en posición, con la cuchilla sin contactar la superficie de la pieza de trabajo, apriete el gatillo.
7. Tras alcanzar la sierra la máxima velocidad, baje poco a poco la parte trasera de la sierra hasta que su base se apoye en la superficie de trabajo.
8. Avance la sierra a lo largo de la línea de corte hasta llegar a la esquina.
9. Suelte el gatillo y deje que la cuchilla se pare completamente antes de retirar la cuchilla de la pieza de trabajo.
  - Nunca, bajo ninguna circunstancia, tire de la sierra hacia atrás mientras se mueva la cuchilla, porque podrá producirse contragolpe.
10. Utilice una sierra de vaivén o una sierra manual para cortar las esquinas.
11. Cuando empiece cada corte nuevo, repita el procedimiento de arriba.

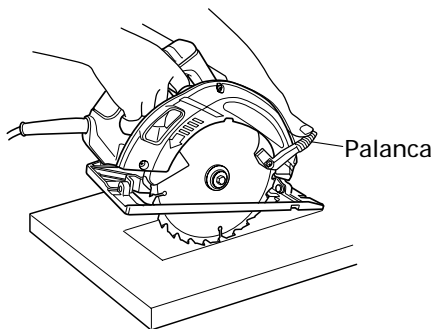


Fig. 16

## MONTAJE Y DESMONTAJE DE LA CUCHILLA DE LA SIERRA

### ⚠ ADVERTENCIA:

Para evitar accidentes de gravedad, asegúrese de que el interruptor esté en la posición OFF, y extraiga el enchufe del tomacorriente antes de realizar cualquier ajuste.

1. Desmontaje de la cuchilla de la sierra
  - (1) Ajuste el volumen de corte al máximo, y coloque la sierra circular como se muestra en la Fig.17.
  - (2) Presione la palanca de bloqueo, bloquee el husillo, y quite el perno de brida hexagonal y la arandela (B) con la llave.
  - (3) Mientras sujeta la palanca para mantener la cubierta de protección inferior completamente retractada dentro de la cubierta de la cuchilla, retire la cuchilla de la sierra. (Fig.18)

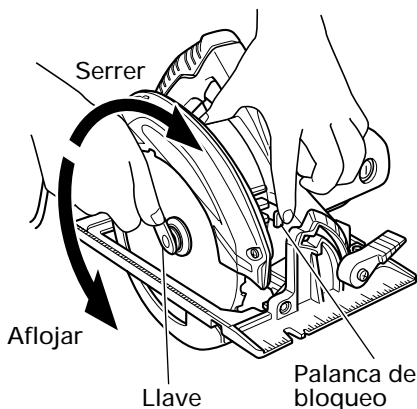


Fig. 17

## 2. Montaje de la cuchilla de la sierra

- (1) Quite completamente las virutas que se hayan acumulado en el husillo, perno y arandela.
- (2) Para montar la cuchilla de la sierra, los lados cóncavos de ambas arandelas, (A) y (B), deberán colocarse en los lados de la cuchilla de la sierra. Monte la cuchilla de la sierra en el husillo y fije finalmente la arandela (B) (consulte la Fig. 19).
- (3) Para asegurar una dirección de giro apropiada de la cuchilla de sierra, la dirección de la flecha de la cuchilla de la sierra deberá coincidir con la dirección de la flecha de la cubierta de la cuchilla.
- (4) Utilizando los dedos, apriete todo lo posible el perno hexagonal que retiene la cuchilla de la sierra. Y luego presione la palanca de bloqueo, bloquee el husillo y apriete a fondo el perno.
- (5) Confirme que la palanca de bloqueo esté en la posición original.

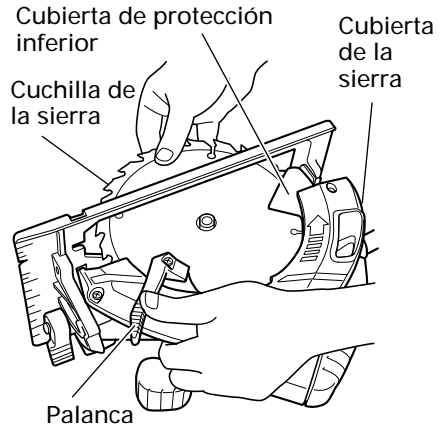


Fig. 18

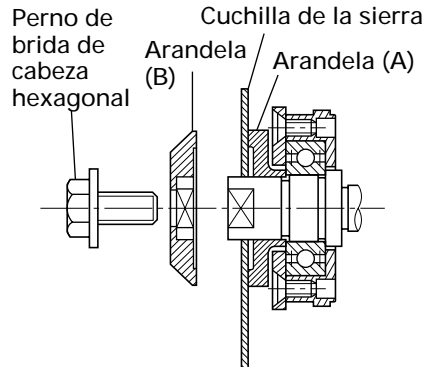


Fig. 19

# MANTENIMIENTO E INSPECCIÓN

**⚠ ADVERTENCIA:** Para evitar accidentes de gravedad, asegúrese de que el interruptor esté en la posición OFF, y extraiga el enchufe del tomacorriente.

## 1. Inspección de la cuchilla de la sierra

Como la utilización de una cuchilla de la sierra mellada degradaría la eficacia y podría causar el mal funcionamiento del motor, afile o reemplácela en cuanto note su abrasión.

**⚠ PRECAUCIÓN:**

Si utiliza una cuchilla de la sierra mellada, la fuerza reactiva aumentará durante la operación de corte. Evite utilizar hojas de sierra melladas, sin reparar.

## 2. Comprobación de los tornillos

Los tornillos son peligrosos. Inspecciónelos regularmente y cerciőrese de que estén bien apretados.

**⚠ PRECAUCIÓN:**

La utilización de una herramienta eléctrica con tornillos flojos es extremadamente peligrosa.

## 3. Inspección de la escobillas (Fig. 20)

El motor utiliza escobillas de carbón, que son piezas fungibles. Reemplace las escobillas por otras nuevas cuando se hayan desgastado hasta su límite. Mantenga siempre limpias las escobillas para asegurar que se deslicen libremente dentro de los portaescobillas.

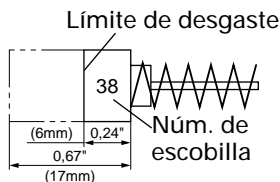


Fig. 20

**⚠ PRECAUCIÓN:**

La utilización de esa sierra circular con escobillas desgastadas más allá del límite dañará el motor.

**NOTA:** Utilice las escobillas HITACHI Núm. 38 indicadas en la Fig. 20.

## 4. Reemplazo de las escobillas

Quite la tapa de la escobilla con un destornillador para cabeza ranurada. La escobilla podrá extraerse fácilmente. (Fig. 21)

5. Comprobación del funcionamiento y mantenimiento de la cubierta protectora  
Mantenga la cubierta protectora en buenas condiciones para que funcione bien en todo momento.

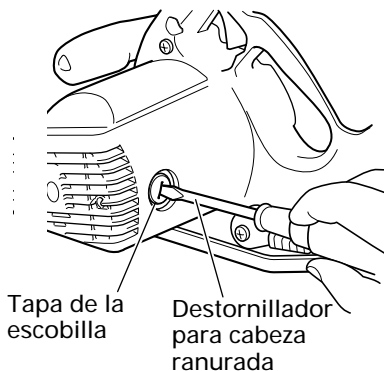


Fig. 21

En caso de mal funcionamiento, repárela inmediatamente.

## 6. Ajuste de la base y la cuchilla de la sierra para mantener la perpendicularidad

El ángulo entre la base y la cuchilla de la sierra ha sido ajustado a 90°. Sin embargo, si esta perpendicularidad se pierde por cualquier razón, ajústela de la forma siguiente.

- (1) Gire la cara de la base hacia arriba (Fig.22), y afloje la palanca (A).
  - (2) Aplique una escuadra a la base y la cuchilla de la sierra y, girando el tornillo de sujeción ranurado con un destornillador de punta plana, desplace la posición de la base hasta conseguir un ángulo recto.
- ## 7. Lista de repuestos

### PRECAUTION:

La reparación, modificación e inspección de las herramientas eléctricas Hitachi deben ser realizadas por un Centro de Servicio Autorizado de Hitachi.

Esta lista de repuestos será de utilidad si es presentada junto con la herramienta al Centro de Servicio Autorizado de Hitachi para solicitar la reparación o cualquier otro tipo de mantenimiento.

En el manejo y el mantenimiento de las herramientas eléctricas, se deberán observar las normas y reglamentos vigentes en cada país.

### MODIFICACIONES:

Hitachi Power Tools introduce constantemente mejoras y modificaciones para incorporar los últimos avances tecnológicos.

Por consiguiente, algunas partes (por ejemplo, números de códigos y/o diseño) pueden ser modificadas sin previo aviso.

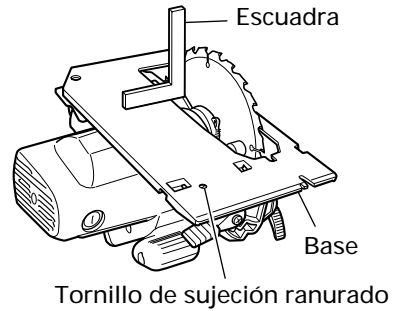


Fig. 22

# ACCESSOIRES

- ⚠ ADVERTENCIA:** Los accesorios para esta herramienta eléctrica se mencionan en este Manual de instrucciones.  
La utilización de otros accesorios puede resultar peligrosa y causar lesiones o daños mecánicos.

**NOTA:**

Las especificaciones están sujetas a cambio sin ninguna obligación por parte de HITACHI.

## ACCESORIOS ESTÁNDAR

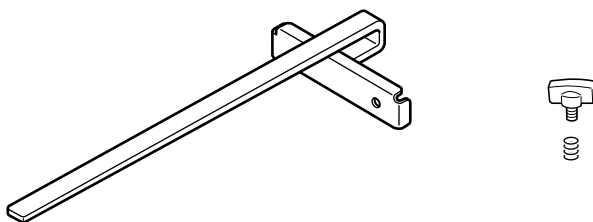
- (1) Cuchilla de la sierra ..... 1

Diá externo	Diá del orificio	Núm. de código
7-1/4" (185mm)	5/8" (15,9mm)	320843

- (2) Llave para tuercas (Núm de código 320976) ..... 1

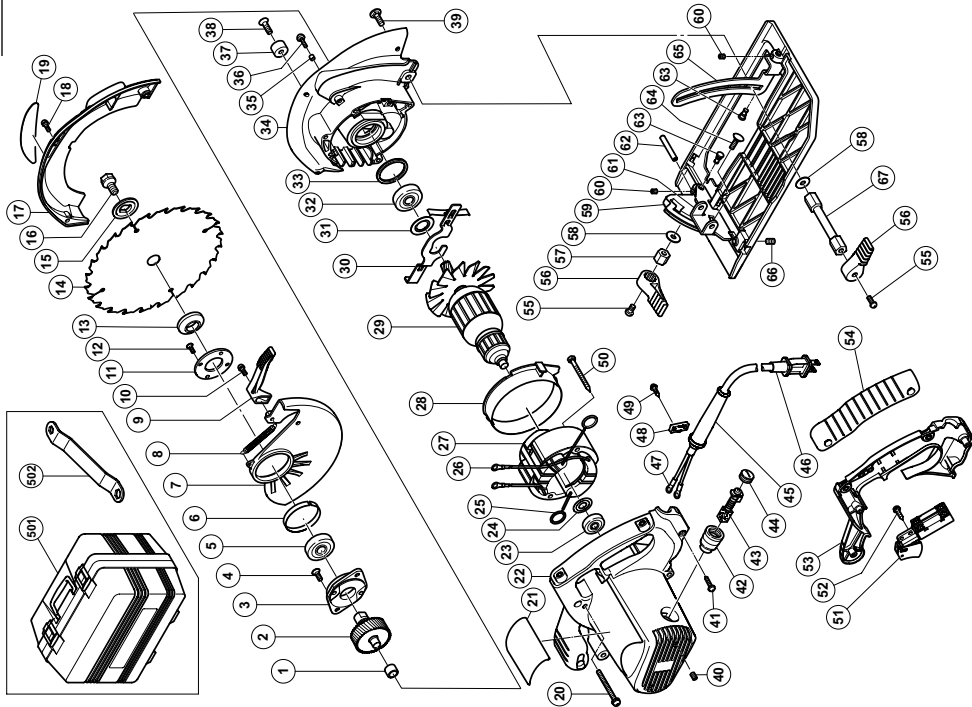
## ACCESORIOS OPCIONALES.....de venta por separado

- (1) Guía (Núm de código 302691) (Comprend (2) et (3).)  
 (2) Perno de ajetas (B) (Núm de código 302697)  
 (3) Resorte de seguridad (Núm de código 947859)



**NOTA:**

Las especificaciones están sujetas a cambio sin ninguna obligación por parte de HITACHI.



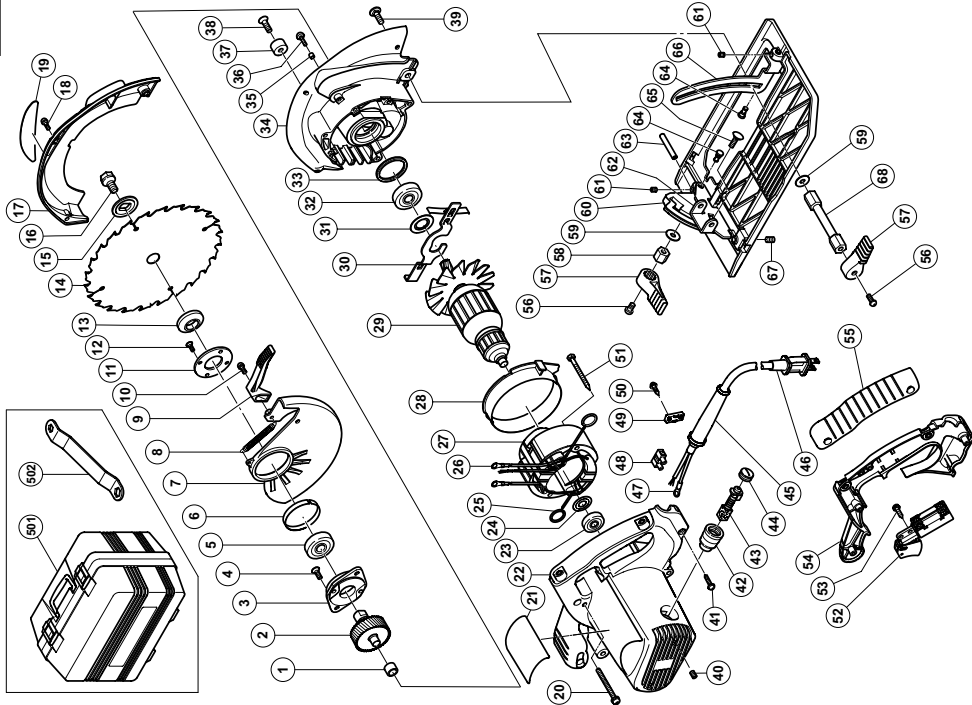
A	B	C	D	A	B	C	D
1	982-027	1	HK1010	43	999-038	2	
2	320-960	1		44	945-161	2	
3	302-433	1		45	940-778	1	
4	992-013	2	M5x14	46	500-453Z	1	M4.0
5	600-3VV	1	6003WCMPS2L	47	930-804	2	M4x14
6	961-807	1		48	937-631	1	D5x50
7	320-956	1		49	984-750	2	D4x12
8	320-968	1		50	953-121	2	
9	320-957	1	M4x12	51	320-969	1	
10	935-196	1		52	305-720	1	
11	302-435	1		53	320-952	1	
12	990-430	2	M4x10	54	320-967	1	M6x8
13	320-970	1		55	949-253	2	
14	320-843	1	185MM-D16	56	320-964	2	
15	320-953	1		57	320-965	1	
16	320-971	1	M8x15.5	58	320-975	2	
17	320-955	1		59	320-961	1	"55-58, 60, 61, 63-65"
18	951-039	3	M4x12	60	319-541	2	M5x6
19	308-357	3	M5x55	61	320-962	1	D6x40
20	320-951	1	"40, 42"	62	949-686	1	D6x13
21	320-951	1		63	320-163	2	M6x20
22	600-0VV	1	6000WCMPS2L	64	942-808	1	
23	302-428	1		65	320-963	1	
24	937-623	2	M4.0	66	302-439	1	M6x8
25	930-804	2		67	320-966	1	
26	340-528C	1	120V "25, 26"	501	320-976	1	10MM
27	320-958	1		502			
28	360-577U	1	120V "23, 24, 31, 32"				
29	320-959	1					
30	980-700	1					
31	620-2VV	1	6202WCMPS2L				
32	320-954	1					
33	311-837	1	M4				
34	311-836	1	M4x14				
35	961-729	1	M6x20				
36	942-808	1	M6x20				
37	938-477	2	M5x8				
38	301-653	5	D4x20				
39	938-241	2					

English  
 A: Item No.  
 B: Code No.  
 C: No. Used  
 D: Remarks

Français  
 A: No. élément  
 B: No. code  
 C: No. utilisé  
 D: Remarques

Español  
 A: N.º ítem  
 B: N.º código  
 C: N.º usado  
 D: Observaciones

C7BD2



A	B	C	D	A	B	C	D
1	982-027	1	HK1010	43	999-038	2	
2	320-960	1		44	945-161	2	
3	302-433	1		45	940-778	1	
4	992-013	2	M5x14	46	500-453Z	1	M4.0
5	600-3VV	1	6003WCMPS2L	47	930-804	2	M4x14
6	961-807	1		48	938-307	1	M4x14
7	320-956	1		49	984-750	2	D4x16
8	320-968	1		50	984-750	2	D5x50
9	320-957	1	M4x12	51	953-121	2	D4x12
10	935-196	1		52	320-950	1	
11	302-435	1		53	305-720	1	
12	990-430	2	M4x10	54	320-952	1	
13	320-970	1		55	320-967	1	M6x8
14	320-843	1	185MM-D16	56	949-253	2	M6x8
15	320-953	1		57	320-964	2	
16	320-971	1	M8x15.5	58	320-965	1	
17	320-955	1		59	320-975	2	
18	951-039	3	M4x12	60	320-961	1	"56-59, 61, 62, 64-66"
19	_____	1		61	319-541	2	M5x6
20	308-357	3	M5x55	62	320-962	1	
21	_____	1	"40, 42"	63	949-686	1	D6x40
22	320-951	1		64	320-163	2	D6x13
23	600-0VV	1	6000WCMPS2L	65	942-808	1	M6x20
24	302-428	1		66	320-963	1	M6x8
25	937-623	2		67	302-439	1	
26	930-804	2	M4.0	68	320-966	1	
27	340-527C	1	120V "25, 26"	501	_____	1	
28	320-958	1		502	320-976	1	10MM
29	360-577U	1	120V "23, 24, 31, 32"				
30	320-959	1					
31	980-700	1					
32	620-2VV	1					
33	303-792	1	6202WCMPS2L				
34	320-954	1					
35	311-837	1	M4				
36	311-836	1	M4x14				
37	961-729	1					
38	949-794	1	M6x20				
39	942-808	1	M6x20				
40	938-477	2	M5x8				
41	301-653	5	D4x20				
42	938-241	1					

## **WARNING:**

Some dust created by power sanding, sawing, grinding, drilling, and other construction activities contains chemicals known to the State of California to cause cancer, birth defects or other reproductive harm. Some examples of these chemicals are:

- Lead from lead-based paints,
- Crystalline silica from bricks and cement and other masonry products, and
- Arsenic and chromium from chemically-treated lumber.

Your risk from these exposures varies, depending on how often you do this type of work. To reduce your exposure to these chemicals: work in a well ventilated area, and work with approved safety equipment, such as those dust masks that are specially designed to filter out microscopic particles.

## **AVERTISSEMENT:**

La poussière résultant d'un ponçage, d'un sciage, d'un meulage, d'un perçage ou de toute autre activité de construction renferme des produits chimiques qui sont connus par l'Etat de Californie pour causer des cancers, des défauts de naissance et autres anomalies de reproduction. Nous énumérons ci-dessus certains de ces produits chimiques:

- Plomb des peintres à base de plomb,
- Silice cristalline des briques et du ciment et autres matériaux de maçonnerie, et
- Arsenic et chrome du bois d'oeuvre traité chimiquement.

Le risque d'exposition à ces substances varie en fonction de la fréquence d'exécution de ce genre de travail. Pour réduire l'exposition à ces produits chimiques, travailler dans un lieu bien ventilé, et porter un équipement de protection agréé, par exemple un masque anti-poussière spécialement conçu pour filter les particules microscopiques.

## **ADVERTENCIA:**

A algunos polvos creados por el lijado mecánico, el aserrado, el esmerilado, el taladrado y otras actividades de construcción contienen sustancias químicas conocidas por le Estado de California como agentes cancerígenos, defectos congénitos y otros daños reproductores. Algunos ejemplos de estas sustancias químicas son:

- El plomo de las pinturas a base de plomo,
- El sílice cristalino de los ladrillos y cemento y otros productos de mampostería, y
- El arsénico y el cromo de la madera tratada químicamente.

El riesgo resultante de la exposición varía según la frecuencia con que se realiza este tipo de trabajo. Para reducir la exposición a esta sustancias químicas: trabaje en un lugar bien ventilado y realice el trabajo utilizando el equipamiento apropiado, tal como las máscaras para el polvo especialmente diseñados para eliminar las partículas minúsculas.

Issued by

 **Hitachi Koki Co., Ltd.**

Shinagawa Intercity Tower A, 15-1, Konan 2-chome,  
Minato-ku, Tokyo 108-6020, Japan

Distributed by

 **Hitachi Koki U.S.A., Ltd.**

3950 Steve Reynolds Blvd.  
Norcross, GA 30093

 **Hitachi Koki Canada Co.**

6395 Kestrel Road  
Mississauga ON L5T 1Z5

 **Hitachi Power Tools de Mexico, S. A. de C. V**

Francisco Petrarca No. 239 Local A  
Col. Chapultepec Morales C. P. 11570  
Mexico, D. F.

702

Code No. C99116363  
Printed in China