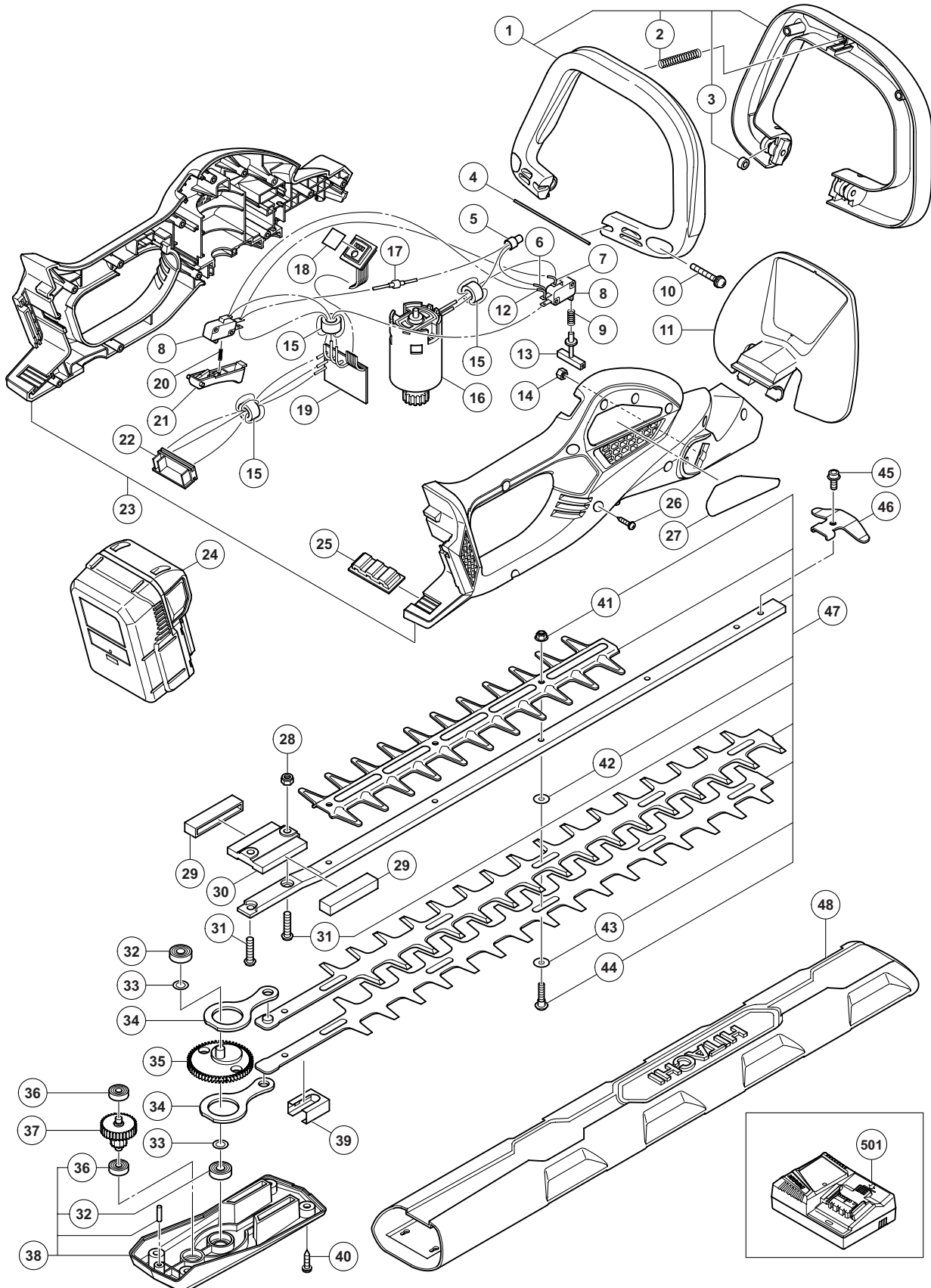


ELECTRIC TOOL PARTS LIST

■ CORDLESS HEDGE TRIMMER Model CH 36DL

2013·1·8
(E1)



PARTS

CH 36DL

ITEM NO.	CODE NO.	DESCRIPTION	NO. USED	REMARKS
1	335-015	SUB HANDLE ASS'Y	1	INCLUD. 2, 3
2	333-341	SPRING (C)	1	
3	335-347	COLLAR	2	
4	335-019	SHAFT (D)	1	
5	959-141	CONNECTOR 50092 (10 PCS.)	1	
6	335-345	INTERNAL WIRE (L96)	1	
7	335-344	INTERNAL WIRE (L186)	1	
8	335-018	SWITCH	2	
9	333-344	SPRING (D)	1	
10	880-561	MACHINE SCREW (W/WASHERS) M5 X 30	2	
11	335-010	PROTECTOR	1	
12	335-343	INTERNAL WIRE (L204)	1	
13	333-343	PUSH PIN	1	
14	302-012	NUT M5 (BLACK)	2	
15	334-379	FERRITE CORE	3	
16	335-016	MOTOR DC 36 V	1	
17	335-346	DIODE	1	
18	335-342	PANEL SHEET	1	
19	335-341	CONTROLLER (W/FERRITE CORE)	1	
20	324-307	SPRING (B)	1	
21	333-761	TRIGGER	1	
22	331-399	BATTERY TERMINAL	1	
23	335-012	HOUSING (A).(B) SET	1	
* 24	334-998	BATTERY BSL 3620 (EUROPE, AUS, NZL)	1	
* 24	334-997	BATTERY BSL 3620 (USA, CAN)	1	
25	332-668	RUBBER CUSHION	1	
26	301-653	TAPPING SCREW (W/FLANGE) D4 X 20 (BLACK)	12	
27		NAME PLATE	1	
28	669-8766	NYLON NUT M6	2	
29	335-021	CUSHION	2	
30	335-020	SPACER	1	
31	669-9113	HEX. SOCKET HD. BOLT (W/BUTTON) M6 X 25	2	
32	608-DDM	BALL BEARING 608DDC2PS2L	2	
33	335-022	WASHER	2	
34	669-8987	CAM ROD	2	
35	335-014	GEAR	1	
36	335-669	BALL BEARING 626ZZC2 PS2-L	2	
37	335-013	FIRST GEAR	1	
* 38	335-017	BOTTOM COVER ASS'Y	1	INCLUD. 32, 36
* 38	335-676	BOTTOM COVER ASS'Y	1	INCLUD. 32, 36
39	335-677	CAM LOD HOLDER	1	
40	302-089	TAPPING SCREW (W/FLANGE) D5 X 20 (BLACK)	4	
41	669-8108	CARBURETOR GASKET	5	
42	669-9114	WASHER (A)	5	
43	669-9111	WASHER M7	5	
44	669-9109	SHOULDER BUTTON BOLT M5	5	
45	669-9065	HEX. SOCKET HD. BOLT (W/FLANGE) M5 X 8	1	
46	669-9062	GUARD PLATE	1	
47	669-9061	BLADE ASS'Y	1	INCLUD. 31, 41-44
48	335-011	BLADE CASE	1	

