

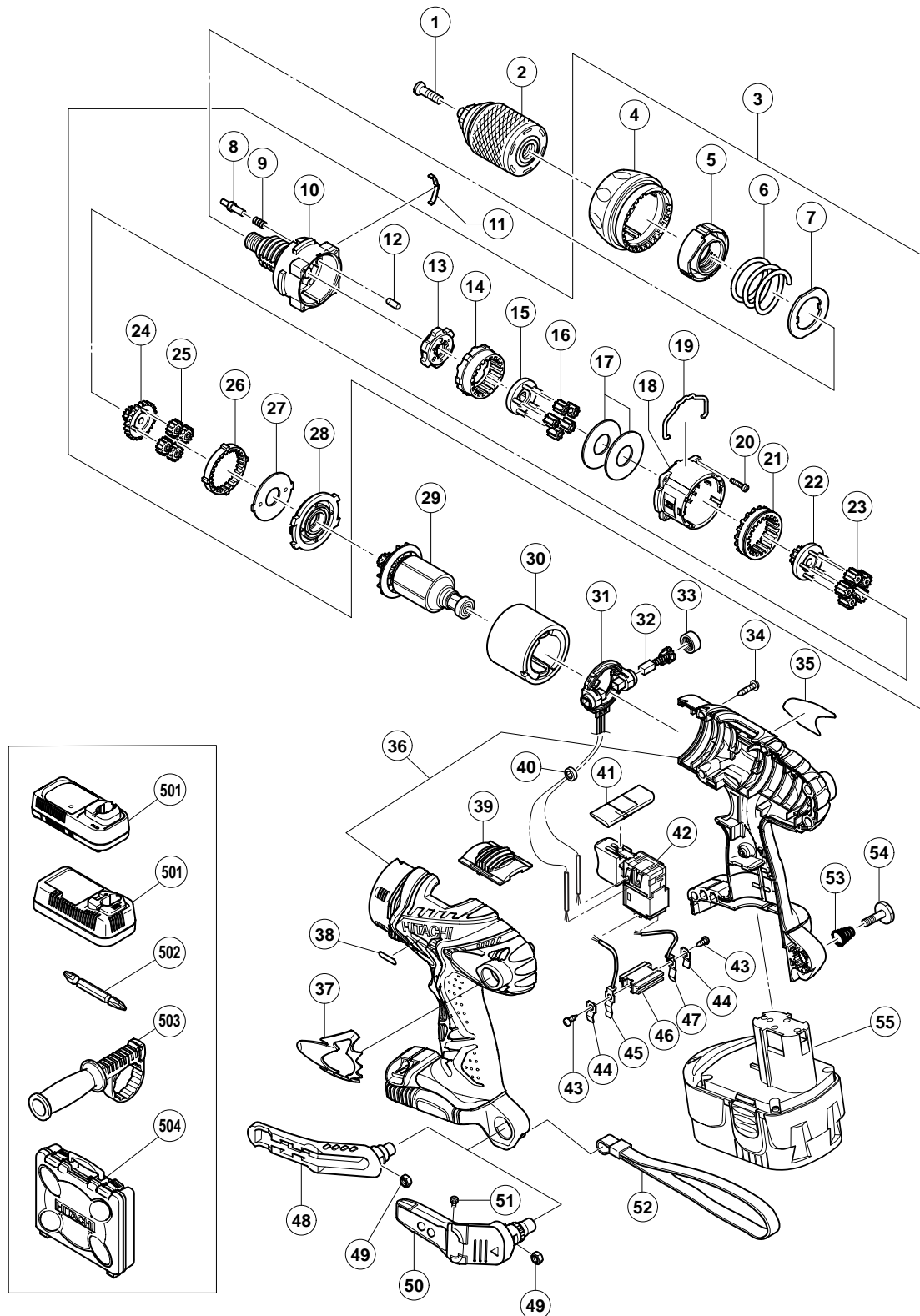
ELECTRIC TOOL PARTS LIST

■ CORDLESS DRIVER DRILL

2004 • 5 • 15

Model DS 18DMR / DS18DMR(PS)

(E1)



PARTS

DS 18DMR

ITEM NO.	CODE NO.	DESCRIPTION	NO. USED	REMARKS
1	311-959	SPECIAL SCREW (LEFT HAND) M6X23	1	
2	323-000	DRILL CHUCK 13VLRK-N (W/O CHUCK WRENCH)	1	
3	322-969	GEAR BOX ASS'Y	1	INCLUD. 4-10, 12-28
4	322-991	FRONT CAP	1	
5	322-974	NUT	1	
6	323-228	SPRING	1	
7	322-973	THRUST WASHER	1	
8	322-972	STOPPER	2	
9	322-971	STOPPER SPRING	2	
10	322-970	FRONT CASE	1	
11	323-231	CLICK SPRING	1	
12	322-975	PIN SET (6 PCS.)	6	
13	322-976	LOCK RING	1	
14	322-977	RING GEAR	1	
15	322-978	CARRIER	1	
16	322-979	PLANET GEAR (C) SET (5 PCS.)	5	
17	322-980	WASHER (A)	2	
18	322-981	REAR CASE	1	
19	322-990	SHIFT ARM	1	
20	315-817	SCREW SET D3X12 (6 PCS.)	4	
21	322-983	SLIDE RING GEAR	1	
22	322-982	PINION (C)	1	
23	322-984	PLANET GEAR (B) SET (5 PCS.)	5	
24	322-985	PINION (B)	1	
25	322-987	PLANET GEAR (A) SET (4 PCS.)	4	
26	322-986	FIRST RING GEAR	1	
27	322-988	WASHER (B)	1	
28	322-989	MOTOR SPACER	1	
29	360-657	ARMATURE AND PINION SET	1	
30	322-996	MAGNET	1	
31	322-993	BRUSH BLOCK	1	
32	999-054	CARBON BRUSH 5X6X11.5 (1 PAIR)	2	
33	319-918	BRUSH CAP	2	
34	313-687	TAPPING SCREW (W/FLANGE) D3X16 (BLACK)	10	
35		NAME PLATE	1	
36	322-998	HOUSING (A).(B) SET	1	
37	322-999	PLATE (A)	1	
38		HITACHI LABEL	1	
39	322-992	SHIFT KNOB	1	
40	323-229	FERRITE CORE	1	EXCEPT FOR NZL, AUS, USA, CAN
41	322-997	PUSHING BUTTON	1	
42	322-994	DC-SPEED CONTROL SWITCH	1	
43	958-715	TAPPING SCREW D4X10	2	
44	996-118	HOLDER SPRING	2	
45	323-003	TERMINAL	1	
46	320-997	TERMINAL PIECE	1	
47	322-995	TERMINAL	1	
* 48	320-287	HOOK ASS'Y	1	INCLUD. 49
49	320-288	V-LOCK NUT M5	1	
* 50	321-918	HOOK ASS'Y (W/LIGHT)	1	INCLUD. 49, 51 FOR USA, CAN
* 51	321-672	TAPPING SCREW D2X6	2	FOR USA, CAN

