

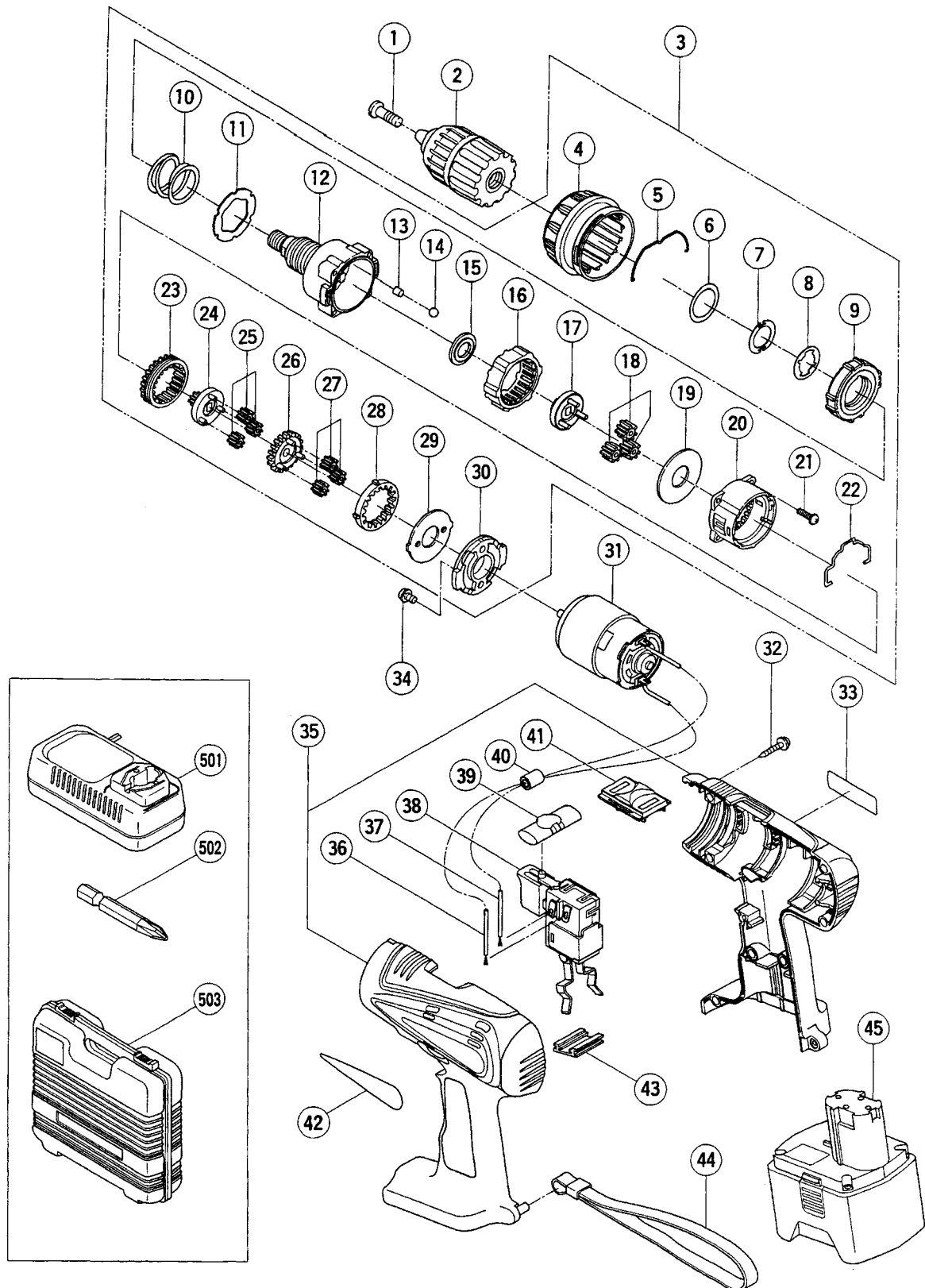
ELECTRIC TOOL PARTS LIST

■ CORDLESS IMPACT DRILL

2001・5・10

Model DV 18DV

(E1)



PARTS

DV 18DV

| ITEM NO. | CODE NO. | DESCRIPTION | NO. USED | REMARKS | |
|----------|----------|--|----------------------------------|-------------|-------------------------|
| 1 | 311-959 | SPECIAL SCREW (LEFT HAND) M6X23 | 1 | | |
| 2 | 319-766 | DRILL CHUCK 13VLR-F-N (W/O CHUCK WRENCH) | 1 | | |
| 3 | 320-093 | GEAR BOX ASS'Y | 1 | INCLUD.4-30 | |
| 4 | 319-963 | CAP | 1 | | |
| 5 | 319-754 | CLICK SPRING | 1 | | |
| 6 | 320-088 | O-RING | 1 | | |
| 7 | 320-089 | LOCK WASHER | 1 | | |
| 8 | 320-090 | SWITCH PLATE | 1 | | |
| 9 | 319-743 | NUT | 1 | | |
| 10 | 319-742 | SPRING | 1 | | |
| 11 | 319-741 | THRUST WASHER | 1 | | |
| 12 | 320-092 | FRONT CASE | 1 | | |
| 13 | 319-744 | ROLLER | 6 | | |
| 14 | 306-936 | STEEL BALL D5 | 6 | | |
| 15 | 319-746 | SPACER WASHER | 1 | | |
| 16 | 319-745 | RING GEAR | 1 | | |
| 17 | 319-747 | CARRIER | 1 | | |
| 18 | 319-769 | PLANET GEAR (C) SET (3 PCS.) | 3 | | |
| 19 | 312-704 | WASHER (A) | 1 | | |
| 20 | 319-748 | REAR CASE | 1 | | |
| 21 | 320-087 | SCREW SET M3X12 (4 PCS.) | 4 | | |
| 22 | 319-753 | SHIFT ARM | 1 | | |
| 23 | 319-750 | SLIDE RING GEAR | 1 | | |
| 24 | 319-749 | PINION (C) | 1 | | |
| 25 | 319-768 | PLANET GEAR (B) SET (3 PCS.) | 3 | | |
| 26 | 319-751 | PINION (B) | 1 | | |
| 27 | 319-767 | PLANET GEAR (A) SET (3 PCS.) | 3 | | |
| 28 | 319-752 | FIRST RING GEAR | 1 | | |
| 29 | 312-716 | WASHER (B) | 1 | | |
| 30 | 316-955 | MOTOR SPACER | 1 | | |
| 31 | 319-756 | MOTOR | 1 | | |
| 32 | 313-687 | TAPPING SCREW (W/FLANGE) D3X16 (BLACK) | 8 | | |
| 33 | | MANE PLATE | 1 | | |
| 34 | 317-333 | MACHINE SCREW (W/SP. WASHER) M4X6 | 2 | | |
| 35 | 319-761 | HOUSING (A).(B) SET | 1 | | |
| * | 36 | 319-759 | INTERNAL WIRE (BLACK) 100L | 1 | |
| * | 36 | 320-159 | INTERNAL WIRE (BLACK) 160L | 1 | FOR GBR,FRG,NOR,SWE,DEN |
| | 37 | 319-758 | INTERNAL WIRE (RED) 130L | 1 | |
| | 38 | 320-091 | DC-SPEED CONTROL SWITCH | 1 | |
| | 39 | 319-760 | PUSHING BUTTON | 1 | |
| * | 40 | 318-247 | FERRITE CORE | 1 | FOR GBR,FRG,NOR,SWE,DEN |
| | 41 | 318-234 | SHIFT KNOB | 1 | |
| | 42 | | HITACHI LABEL | 1 | |
| | 43 | 315-141 | TERMINAL SUPPORT (A) | 1 | |
| | 44 | 306-952 | STRAP (BLACK) | 1 | |
| * | 45 | 319-762 | BATTERY EB 1820 (W/ENGLISH N.P) | 2 | |
| * | 45 | 319-763 | BATTERY EB 1820 (W/ENGLISH N.P) | 2 | FOR USA,CAN |
| * | 45 | 319-764 | BATTERY EB 1820 (W/ENGLISH N.P) | 2 | FOR GBR,FRG |
| * | 45 | 319-765 | BATTERY EB 1830H (W/ENGLISH N.P) | 2 | |
| | | | | | |
| | | | | | |

