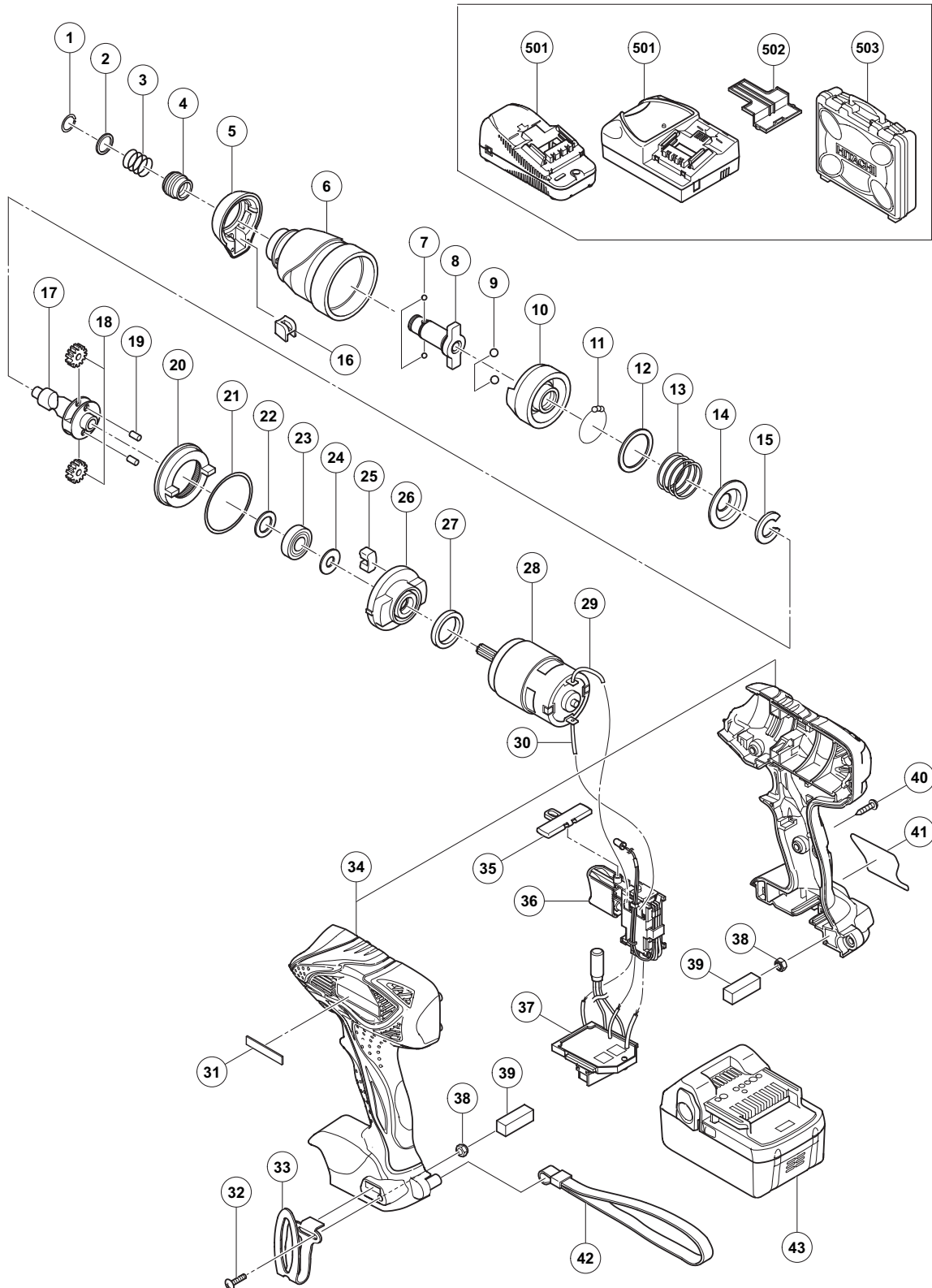


ELECTRIC TOOL PARTS LIST

CORDLESS IMPACT DRIVER Model WH 18DSAL

2009·6·8
(E1)



PARTS

WH 18DSAL

| ITEM NO. | CODE NO. | DESCRIPTION | NO. USED | REMARKS | |
|----------|----------|--|-------------------------------------|---------|---------------------|
| 1 | 330-619 | RETAINING RING | 1 | | |
| 2 | 330-856 | WASHER (D) | 1 | | |
| 3 | 331-284 | GUIDE SPRING (D) | 1 | | |
| 4 | 322-717 | GUIDE SLEEVE (D) | 1 | | |
| 5 | 331-280 | FRONT CAP (G) | 1 | | |
| 6 | 331-281 | HAMMER CASE | 1 | | |
| 7 | 319-535 | STEEL BALL D3.5 (10 PCS.) | 2 | | |
| 8 | 331-275 | ANVIL (D) | 1 | | |
| 9 | 959-154 | STEEL BALL D5.556 (10 PCS.) | 2 | | |
| 10 | 331-276 | HAMMER (B) | 1 | | |
| 11 | 959-148 | STEEL BALL D3.175 (10 PCS.) | 28 | | |
| 12 | 315-978 | WASHER (J) | 1 | | |
| 13 | 331-285 | HAMMER SPRING (D) | 1 | | |
| 14 | 316-172 | WASHER (S) | 1 | | |
| 15 | 316-171 | STOPPER | 1 | | |
| 16 | 329-552 | LED HOLDER | 1 | | |
| 17 | 331-287 | SPINDLE (D) | 1 | | |
| 18 | 326-295 | IDLE GEAR SET (2 PCS.) | 2 | | |
| 19 | 319-914 | NEEDLE ROLLER | 2 | | |
| 20 | 330-657 | RING GEAR | 1 | | |
| 21 | 983-852 | O-RING (S-42) | 1 | | |
| 22 | 319-911 | WASHER (E) | 1 | | |
| 23 | 690-1VV | BALL BEARING 6901VVCMP2L | 1 | | |
| 24 | 331-288 | FELT | 1 | | |
| 25 | 324-230 | DAMPER (A) | 2 | | |
| 26 | 331-286 | INNER COVER | 1 | | |
| 27 | 321-894 | DAMPER | 1 | | |
| 28 | 331-274 | MOTOR DC 18V | 1 | | |
| 29 | | INTERNAL WIRE (RED) | 1 | | |
| 30 | | INTERNAL WIRE (BLACK) | 1 | | |
| 31 | 329-648 | HITACHI PLATE | 1 | | |
| 32 | 327-001 | TRUSS HD. SCREW M4 (BLACK) | 1 | | |
| 33 | 331-277 | HOOK (A) | 1 | | |
| 34 | 331-278 | HOUSING (A).(B) SET | 1 | | |
| 35 | 329-454 | PUSHING BUTTON (A) | 1 | | |
| 36 | 331-282 | DC SPEED CONTROL SWITCH | 1 | | |
| 37 | 331-283 | CONTROLLER TERMINAL SET | 1 | | |
| 38 | 327-002 | LOCK NUT M4 (BLACK) | 2 | | |
| 39 | 327-004 | PACKING | 2 | | |
| 40 | 301-653 | TAPPING SCREW (W/FLANGE) D4 X 20 (BLACK) | 9 | | |
| 41 | | NAME PLATE | 1 | | |
| * | 42 | 306-952 | STRAP (BLACK) | 1 | EXCEPT FOR USA, CAN |
| * | 43 | 330-068 | BATTERY BSL 1830 (EUROPE, AUS, NZL) | 2 | INCLUD. 502 |
| * | 43 | 330-139 | BATTERY BSL 1815X (USA, CAN) | 2 | INCLUD. 502 |
| * | 43 | 330-557 | BATTERY BSL 1815X (EUROPE) | 2 | INCLUD. 502 |
| | | | | | |
| | | | | | |
| | | | | | |
| | | | | | |
| | | | | | |

